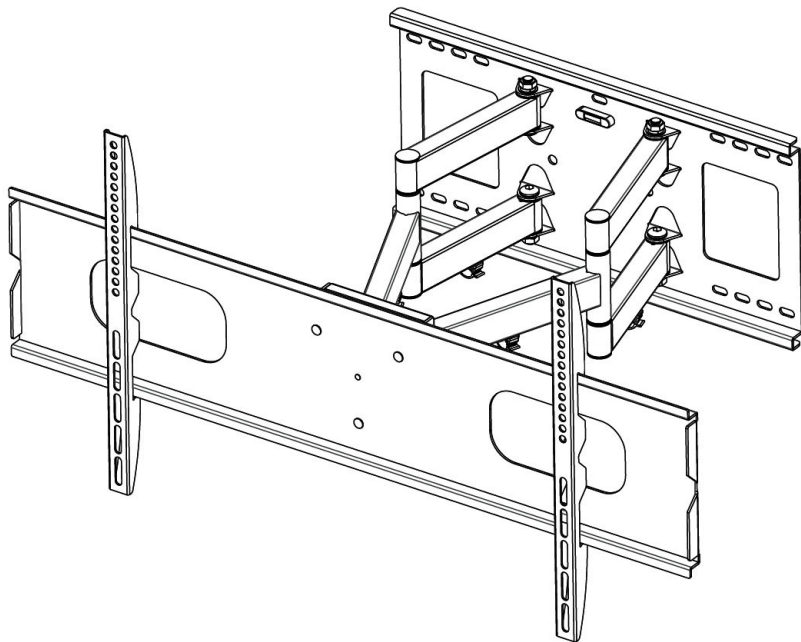


Full-Motion TV Mount - 47" to 90"

Installation Guide



Full-motion Articulating LCD/Plasma TV Wall-mount

TV size: 47" - 90"

Tilt angle: +/- 12 degrees

Max load capacity: 200 lbs / 90 kg

Wall distance (at the front plate): 3.9" to 19.7"

Important: If you have difficulty following or understanding these installation instructions, please consult a qualified installation specialist.



Caution

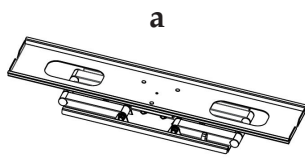
- Prior to installation of this product, the installation guide should be read and completely understood. The installation guide must be read to prevent personal injury and property damage. Keep the installation guide in an easily accessible location for future reference.
- This mount contains small parts which can act as a choking hazard if swallowed.
- CAUTION: The maximum load capacity is 200 lbs. Use with products exceeding the maximum load capacity may cause serious injury. See apparatus instructions.
- The wall structure must be capable of supporting at least five (5) times the maximum load capacity as indicated. If not, the wall must be reinforced.
- Recommended mounting surfaces: wood stud and solid-flat concrete. If the mount is to be installed on any surface other than wood studs or solid concrete, use suitable hardware (not included but commercially available).
- Do not install on a structure that is prone to vibration, movement or chance of impact. Failure to do so could result in damage to the display and/or damage to the mounting surface.
- Do not install near heater, fireplace, air conditioning, in direct sunlight or any other heat producing source. Failure to do so may result in damage to the display and could increase the risk of fire.
- Make sure no water or natural gas lines are present where the mount is to be installed. Cutting or drilling into water or natural gas lines could cause personal injury or property damage.
- Proper installation procedure by yourself or a qualified service technician, as outlined in the installation guide, must be adhered to. Failure to do so could result in serious personal injury.
- When mounting to a wall that contains wood studs, confirm the dead center of the wood stud prior to installation, it is recommended that the wood studs be a minimum of 16" apart (if applicable).
- This product is intended for indoor installation/use only. Premature product failure or serious personal injury could occur if this product is used outdoors.
- It is recommended that two people perform the installation. Injury and/or damage can result from dropping or mishandling the display.

Tools Required

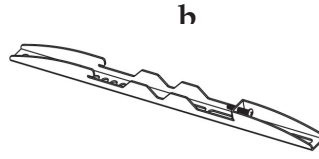
- Electronic stud finder for drywall installation
- Phillips head screwdriver and bubble level
- Socket or wrench set (metric)
- Electric drill, 5/32" drill bit for wood stud installation, 3/8" masonry drill bit for concrete/brick wall installation

Important: The Full-Motion TV Mount - 47" to 90" is shipped with the proper installation hardware and parts. Make sure that none of the items are missing or damaged before starting the installation. If there are any missing and/or damaged parts, please stop the installation and contact your place of purchase.

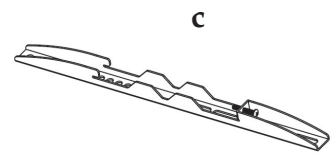
Hardware Kit



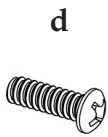
(x1) Wall plate



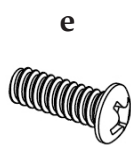
(x1) Left monitor bracket



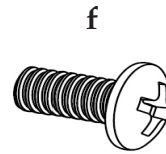
(x1) Right monitor bracket



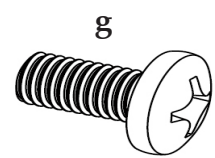
(x4) M4x12 bolt



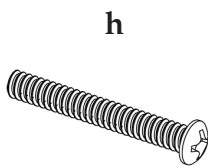
(x4) M5x12 bolt



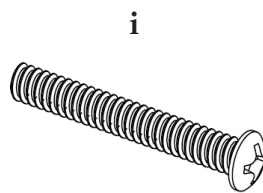
(x4) M6x12 bolt



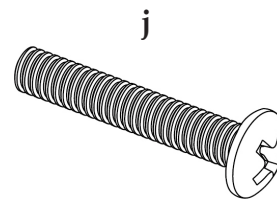
(x4) M8x16 bolt



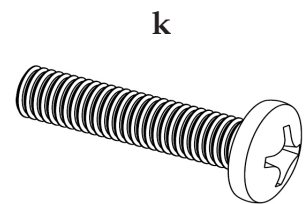
(x4) M4x30 bolt



(x4) M5x30 bolt



(x4) M6x35 bolt



(x4) M8x40 bolt



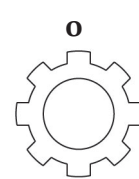
(x4) M4 lock washer



(x4) M5 lock washer



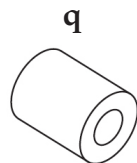
(x4) M6 lock washer



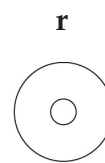
(x4) M8 lock washer



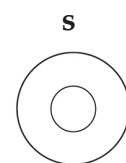
(x4) M4/M5 spacer



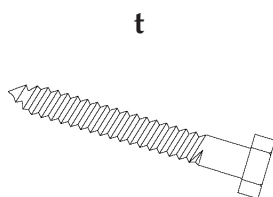
(x4) M6/M8 spacer



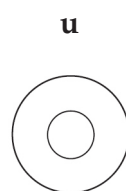
(x8) M4/M5 washer



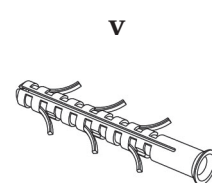
(x4) M6/M8 washer



(x6) Lag Bolt



(x6) Lag bolt washer



(x6) Concrete anchor

Step 1: Wall Plate Installation

A) Wood Stud Installation (16" on center)

1. Use a high quality electronic stud finder (commercially available) to locate dead center of two wood studs 16" apart and mark the location with a pencil. See Figure 1.
2. With the help of an assistant, place the wall plate onto the wall in the desired mounting location and check the integrated bubble level to ensure it is level.
3. Mark the right (upper and lower) and the left (upper and lower) positions of the small horizontal slots that are in alignment with the wood studs.
4. You should mark four positions total. Take down the wall plate.
5. Next, pre-drill a 5/32" hole to a depth of 3" in the wood stud at each marked location.
6. Place the wall plate against the wall and line up the mounting slots with the drilled holes. Check the bubble level to verify that the wall plate is level.
7. For each location, insert a lag bolt (t) and washer (u) into the wall. See Figure 2.
8. Tighten the bolt with an open ended or socket wrench by turning clockwise until tight.

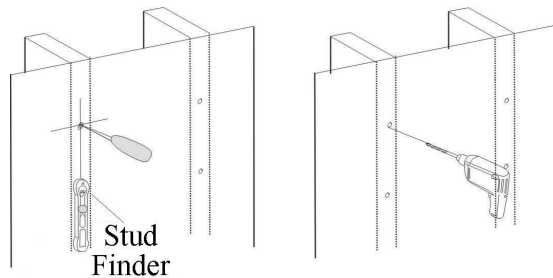


Figure 1

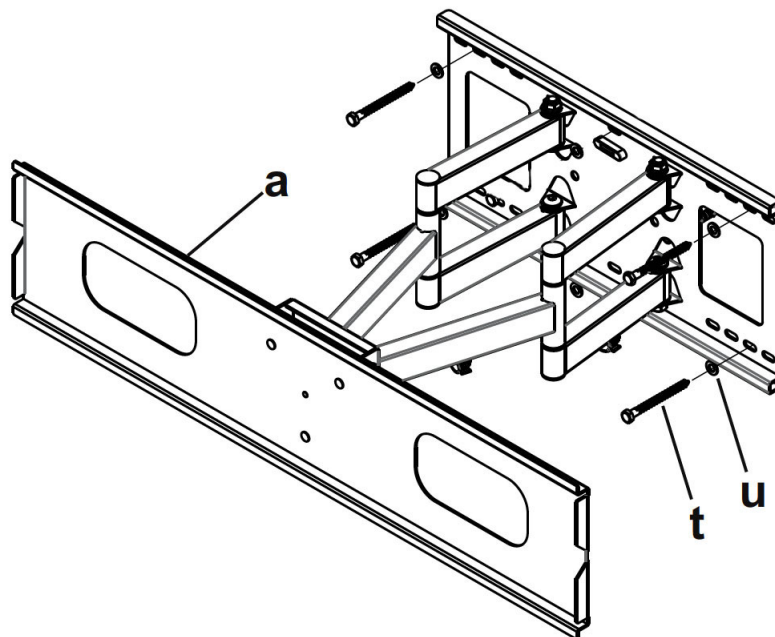


Figure 2

CAUTION: Do not over tighten the bolts - doing so may cause unnecessary damage to the wall.

CAUTION: Do not release the wall plate until it is properly mounted and secured to the wall.

B) Concrete / Brick Wall Installation

Note: The concrete anchors must be used for concrete and brick installation.

1. With the help of an assistant, place the wall plate onto the wall in the desired mounting location and check the integrated bubble level to ensure it is level.
2. Mark six holes, minimum of 6 inches apart, to be used for securing the mount, and place the wall plate aside. Locate the holes directly into the concrete or brick, never into the mortar between the blocks. See Figure 3.
3. Drill six holes using an electric drill and 3/8" masonry drill bit to a depth of 3" at the positions you marked.
4. Insert a concrete anchor (v) into each hole.
5. If necessary, a hammer can be used to lightly tap each concrete anchor into place so that they are flush with the wall.
6. Once all of the concrete anchors are in place, move the wall plate back into position. Check the bubble level to verify that the wall plate is level.
7. Insert lag bolts (t) and washers (u) into the concrete anchors as shown and tighten. Do not fully tighten until all bolts are in place. See Figure 3.

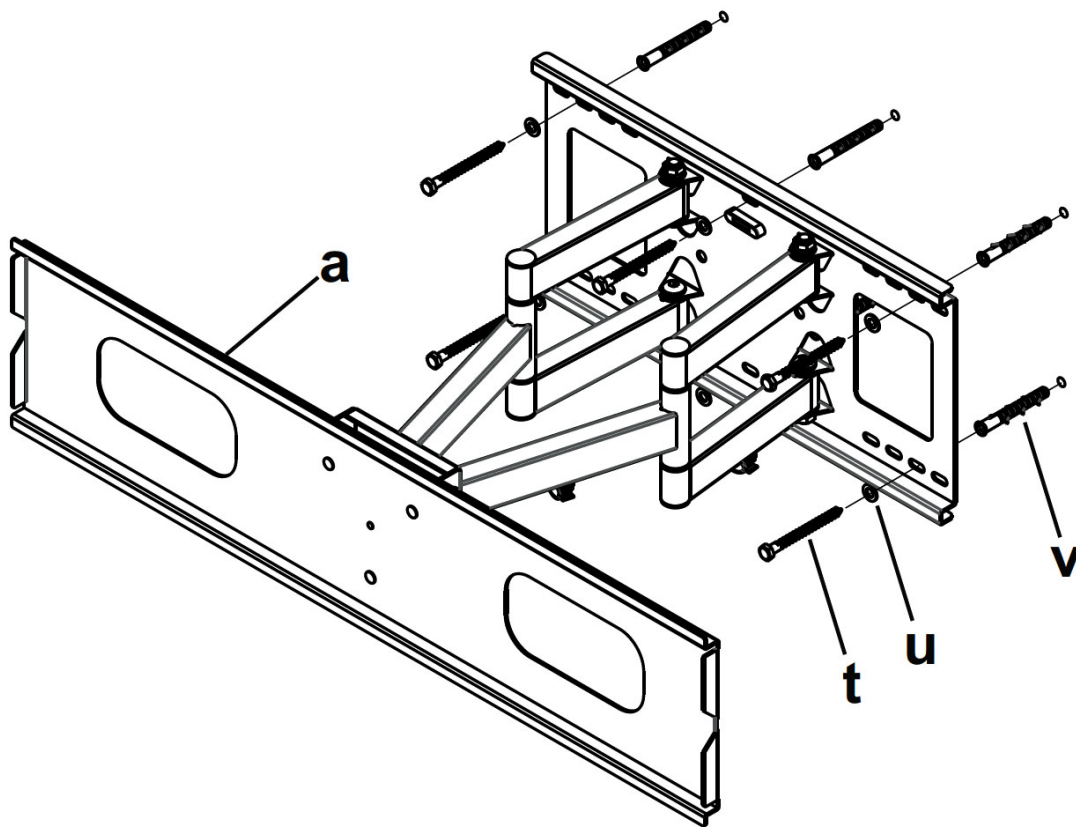


Figure 3

CAUTION: Do not over tighten the bolts - doing so may cause unnecessary damage to the wall.

CAUTION: Do not release the wall plate until it is properly mounted and secured to the wall.

Step 2: Mounting the Monitor Brackets

The hardware kit includes bolts of various diameters and lengths to ensure optimal installation.

Step 2A - Mounting the Monitor Bracket to a TV with a Flat Back

1. Place your TV screen down on a soft, flat surface, and locate the threaded mounting holes that are located on the back of the display.
2. Determine the depth of the mounting holes by inserting a straw or toothpick. Select the bolt (d, e, f, g) with the correct depth and diameter of the mounting holes of your TV.
3. Please make sure the monitor brackets (b, c) are vertically centered and level with each other.
4. Thread the bolts into the TV using the correct lock washer (l, m, n, o) and washer (r, s). See Figure 4.

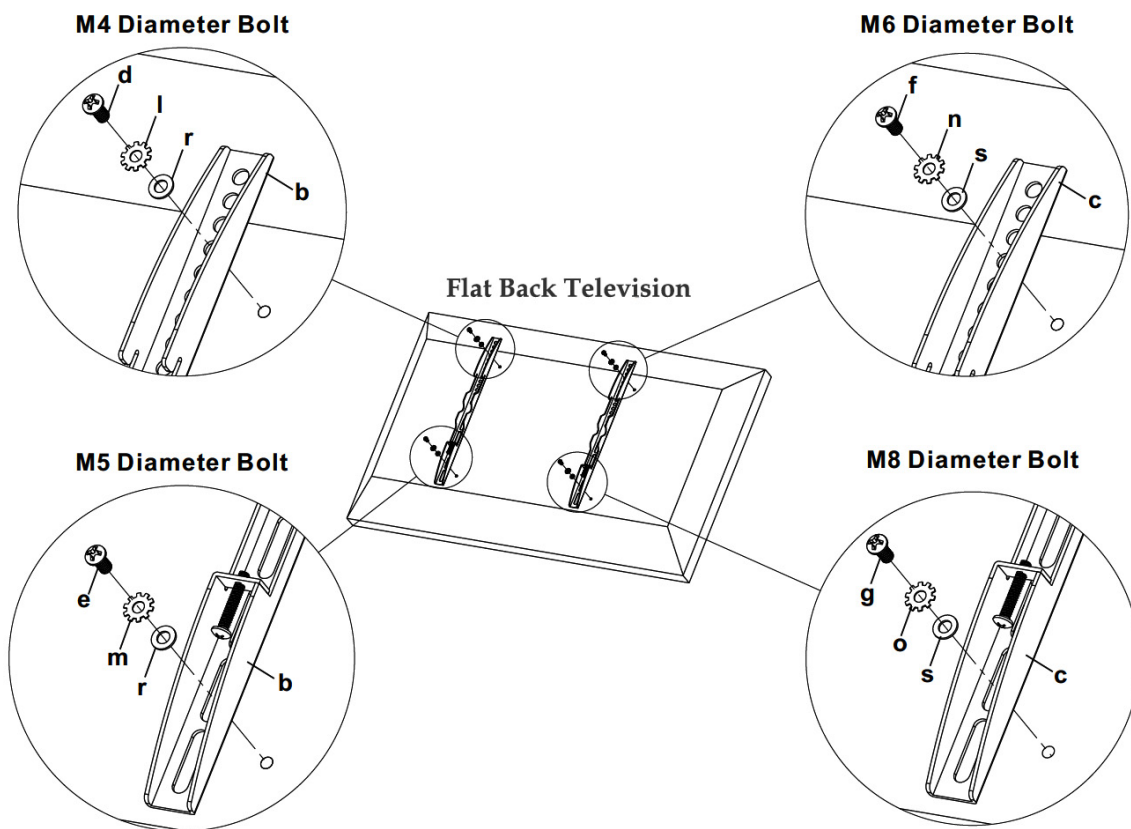


Figure 4

Step 2B - Mounting the Monitor Bracket to a TV with a Curved Back

1. Place your TV screen down on a soft, flat surface, and locate the threaded mounting holes that are located on the back of the display.
2. Determine the depth of the mounting holes by inserting a straw or toothpick. Select the bolt (h, i, j, k) with the correct depth and diameter of the mounting holes of your TV.
3. Please make sure the monitor brackets (b, c) are vertically centered and level with each other.
4. Thread the bolts into the TV using the correct lock washer (l, m, n, o), washer (r, s) and spacer (p, q). For the M4x30 Bolt (h) and M5x30 Bolt (i), you will need another washer (r) between the monitor bracket and the spacer. See Figure 5.

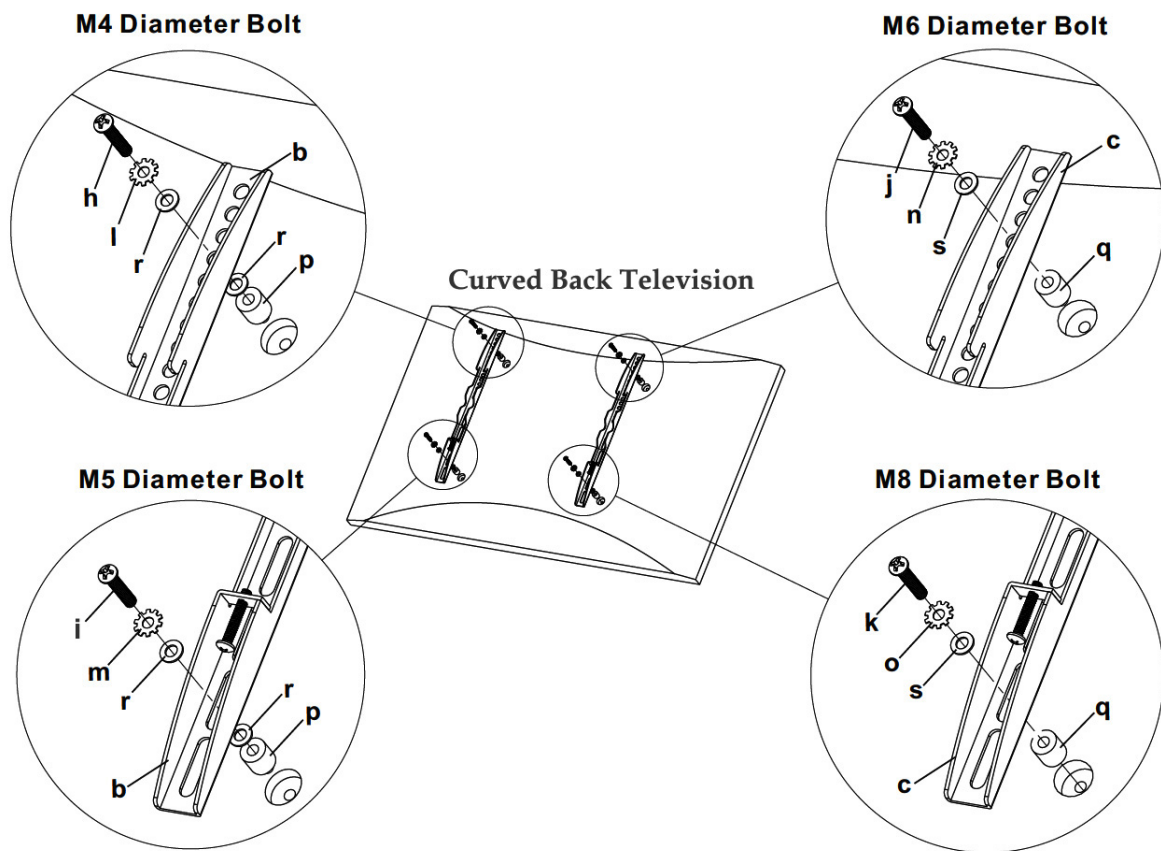


Figure 5

Step 3: Attaching the TV to the Wall Plate

Warning: Some TVs may require two people to lift and position it onto the wall plate. SIIG, Inc. is NOT RESPONSIBLE for any damage or injury caused by incorrect installation, assembly or use.

1. Hang the TV with monitor bracket (b,c) assembly onto the top of the wall plate(a) then let the bottom of the monitor brackets rotate to the bottom of the wall plate. See Figure 6.
2. Use a screw driver to tighten the **safety bolt** on each monitor bracket (b, c) to secure the TV to the wall plate (a). See Figure 7.

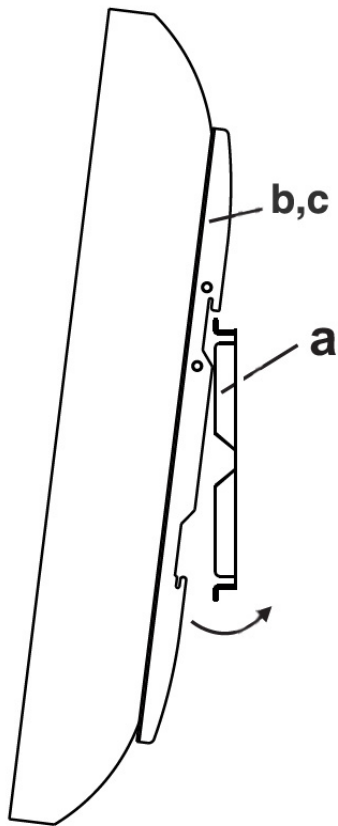


Figure 6

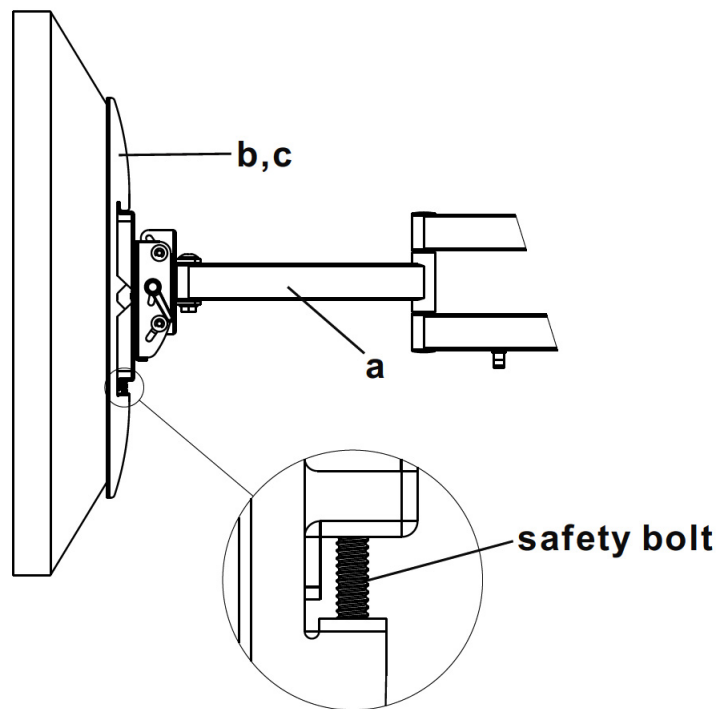


Figure 7

Step 4: Cable Management

1. Secure the cables from your TV / Monitor through the cable management loops. See Figure 8.

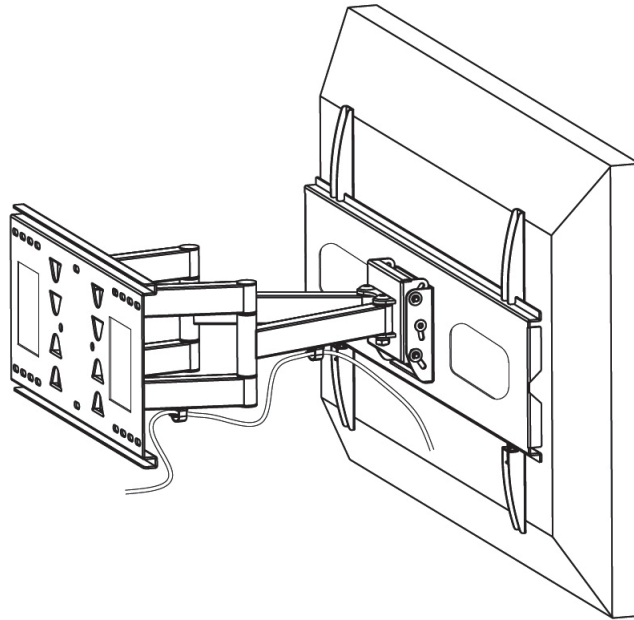


Figure 8

Step 5: Tilt Adjustment

1. Loosen the tilt adjustment levers (on each side), tilt the TV to the optimal viewing angle, then tighten the levers to secure the tilt angle. **Note:** The tilt adjustment levers are designed with ratchet mechanism. To adjust the lever's position pull it out and rotate left or right, release the lever and rotate to loosen or tighten. Repeat several times if needed. See Figure 9.

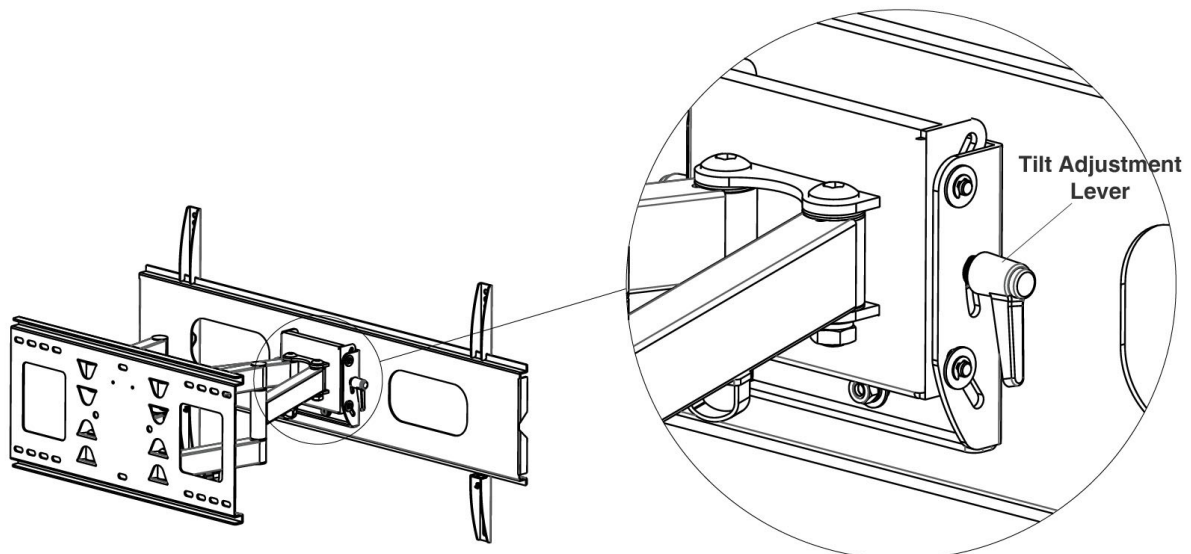


Figure 9

Step 6: Leveling the TV

If needed, the mount can be re-leveled after it has been mounted to the wall by rotating the front plate that the TV mounts onto. To make this adjustment, loosen the three bolts (located on the back of the front plate), hold the TV and carefully rotate to the left or right until it is level. Retighten the three bolts. See Figure 10.

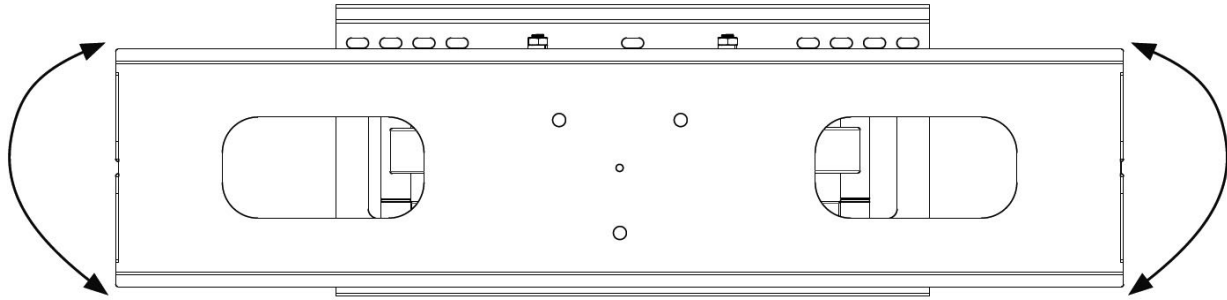


Figure 10

Maintenance

Check the mounting screws every two months for tightness.

Blank Page

Technical Support and Warranty

QUESTIONS? SIIG's **Online Support** has answers! Simply visit our web site at www.siig.com and click **Support**. Our online support database is updated daily with new drivers and solutions. Answers to your questions could be just a few clicks away. You can also submit questions online and a technical support analysts will promptly respond.

SIIG offers a 5-year manufacturer warranty with this product. This warranty covers the original purchaser and guarantees the product to be free of any defects in materials or workmanship for five (5) years from the date of purchase of the product.

SIIG will, at our discretion, repair or replace (with an identical product or product having similar features and functionality) the product if defective in materials or workmanship. This warranty gives you specific legal rights, and you may also have other rights which vary from state to state. Please see our web site for more warranty details.

If you encounter any problems with this product, please follow the procedures below.

- A) If it is within the store's return policy period, please return the product to the store where you purchased it.
- B) If your purchase has passed the store's return policy period, please follow these steps to have the product repaired or replaced.

Step 1: Submit your RMA request. Go to www.siig.com, click **Support**, then **Request A Product Replacement** to submit a request to [SIIG RMA](#) or fax a request to 510-657-5962. Your RMA request will be processed, if the product is determined to be defective, an RMA number will be issued.

Step 2: After obtaining an RMA number, ship the product.

- Properly pack the product for shipping. All software, cable(s) and any other accessories that came with the original package must be included.
- Clearly write your RMA number on the top of the returned package. SIIG will refuse to accept any shipping package, and will not be responsible for a product returned without an RMA number posted on the outside of the shipping carton.
- You are responsible for the cost of shipping to SIIG. Ship the product to the following address:

SIIG, Inc.

6078 Stewart Avenue

Fremont, CA 94538-3152, USA

RMA #: _____

- SIIG will ship the repaired or replaced product via Ground in the U.S. and International Economy outside of the U.S. at no cost to the customer.

About SIIG, Inc.

Founded in 1985, SIIG, Inc. is a leading manufacturer of IT connectivity solutions (including Serial ATA and Ultra ATA Controllers, FireWire, USB, and legacy I/O adapters) that bridge the connection between Desktop/Notebook systems and external peripherals. SIIG continues to grow by adding A/V and Digital Signage connectivity solutions to our extensive portfolio. All centered around the distribution and switching of A/V signals over CAT5/6, these products include matrix switches, distribution amplifiers, extenders, converters, splitters, cabling, and more.

SIIG is the premier one-stop source of upgrades and is committed to providing high quality products while keeping economical and competitive prices. High-quality control standards are evident by one of the lowest defective return rates in the industry. Our products offer comprehensive user manuals, user-friendly features, and most products are backed by a lifetime warranty.

SIIG products can be found in many computer retail stores, mail order catalogs, and e-commerce sites in the Americas, as well as through major distributors, system integrators, and VARs.

<p>PRODUCT NAME</p>

<p>Full-Motion TV Mount - 47" to 90"</p>
--

Full-Motion TV Mount - 47" to 90" is a trademark of SIIG, Inc. SIIG and the SIIG logo are registered trademarks of SIIG, Inc. All other names used in this publication are for identification only and may be trademarks of their respective owners.