

## *8x8 HDMI 4K60Hz Matrix Switcher*

**(P/N: CE-MX0011-S1)**



### **Features**

- Allows to select and switch between any of the 8 HDMI input by 8 HDMI output Matrix to any of the 8 HDMI displays simultaneously
- Supports HDMI resolution up to 4K@60Hz YUV 4:4:4, HDR 10 and HDCP 2.2/1.4
- Supports HDMI downscaling from 4K60Hz to 1080p60Hz
- Bandwidth up to 18Gbps and support 3D, HLG, Dolby Vision
- Supports analog audio embedded and HDMI audio extraction
- Supports 8 analog audio input, 8 analog audio output and 8 S/PDIF (Coaxial) audio outputs
- Supports analog audio for PCM 2.0 & S/PDIF (Coaxial) audio up to 5.1 / 32 to 192KHz, PCM, Dolby Atmos; HDMI for PCM 2.0 to 7.1, up to 192KHz
- Support EDID management and ARC
- RS-232 interface for users to upgrade firmware
- Controllable via front-panel button, IR remote, RS-232, IP and Web GUI
- The Ethernet port supports Telnet, UDP, HTTP and TCP/IP

## Package Contents

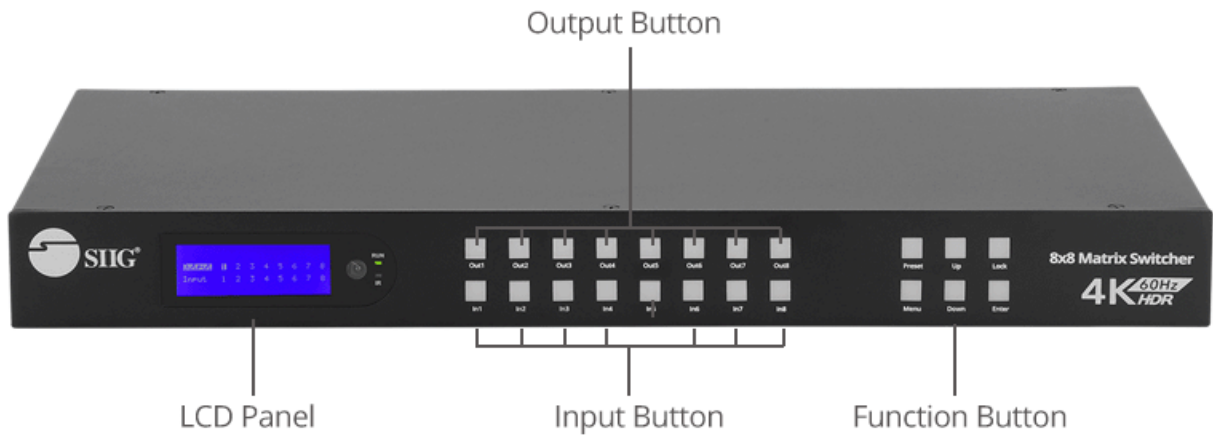
- 8x8 HDMI 4K60Hz Matrix Switcher
- Mounting Kit
- 1 x IR Remote control
- 1 x IR Ext RX cable
- Power supply
- CD for software and reference guide

## Specification

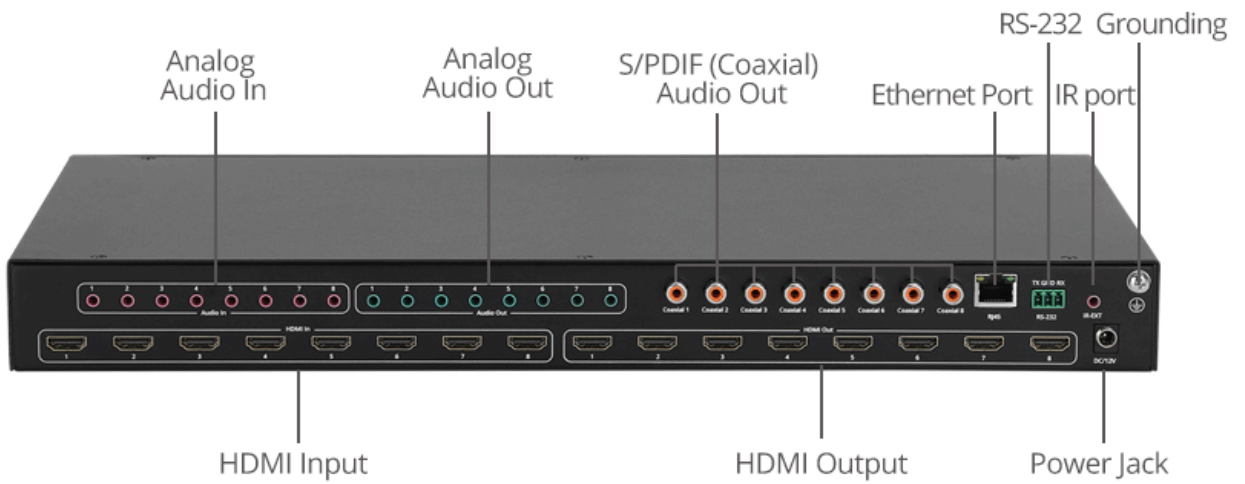
Bandwidth	18Gbps
Resolution	480p@60Hz / 576P@50Hz / 720P@60Hz 1080p@24Hz / 1080P@50Hz / 1080P@60Hz / 4K@24Hz / 4K@30Hz / 4K@60Hz YUV4:2:0 / 4K@60Hz YUV4:4:4
Video Connectors	Input: - 8x HDMI Type A, 19-Pin, Female Output: - 8x HDMI Type A, 19-Pin, Female
Audio Connectors	Input: - 8x 3.5mm Analog audio, Female Output: - 8x 3.5mm Analog audio, Female - 8x S/PDIF (Coaxial) audio, Female
Analog L+R Audio Format	Supports PCM 2.0
Digital SPDIF Audio Format	Supports PCM, Dolby Digital, DTS
HDMI Audio Format	Supports PCM 2.0 to 7.1 / 16 to 24bit, Dolby / DTS / Dolby Atmos / DTS-HD
S/PDIF Audio Sampling Rate	Supports up to 96KHz
HDMI Audio Sampling Rate	Supports up to 192KHz
RS-232 Serial port	3-Pin to DB9, Female
Ethernet Port (IP control)	8P8C RJ45, Female
IR Ext port	3.5mm stereo jack
Operation Temperature	32°F to 104°F (0°C to 40°C)
Storage Temperature	14°F to 140°F (- 10°C to 60°C)
Relative Humidity	10% ~ 90%
External Power Supply	100V~240V AC, 50/60Hz, 12V/3A
Dimension (W*H*D)	18.99" (W) x 1.73" (H) x 8.66" (D)
Net Weight	6.16 lbs (2.8 kg)
Power consumption	28W (Max)

# Product Layout

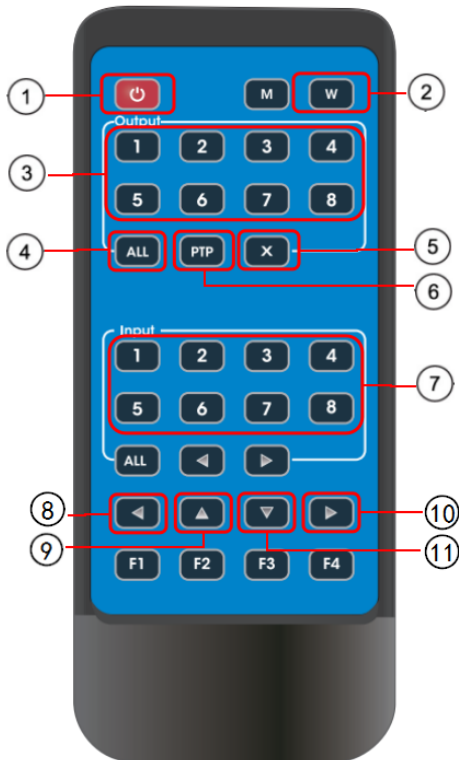
## Matrix Switcher Front Panel



## Matrix Switcher Rear Panel



## Remote Control Description



- ① Standby mode
- ② Lock or Unlock panel button
- ③ Choose output from 1~8
- ④ Choose all the outputs
- ⑤ X: Turn on/off output port which you select
- ⑥ PTP button: Mirror all inputs and outputs  
(Ex. Input 1 to output 1, input 2 to output 2..etc)
- ⑦ Choose Input from 1~8
- ⑧ Menu (back to previous option) button
- ⑨ UP button
- ⑩ Enter button
- ⑪ DOWN button

## Application Diagram

