



RS-232 to 422/485 Converter Quick Installation Guide

Introducing the *RS-232 to 422/485*

The *RS-232 to 422/485 Converter* allows RS-232 line signal to be directly converted to RS-422 or RS-485 standard.

Features and Benefits

- Low cost
- Easy install
- Supported baud rate up to 115.2 K bps
- 15KV ESD protection
- Supports half-duplex or full-duplex

System Requirements

- Pentium II or equivalent PC
- Windows® 2000 and above

Package Contents

- *RS-232 to 422/485 Converter*
- DB9 to DB9 cable
- Quick installation guide

Serial Number Sticker

For future product return or exchange, this serial number is require. Please keep it for your reference.



Layout



Figure 1: Layout

Note: Do not connect external DC-Jack and screw terminal DC input simultaneously.

Hardware structure

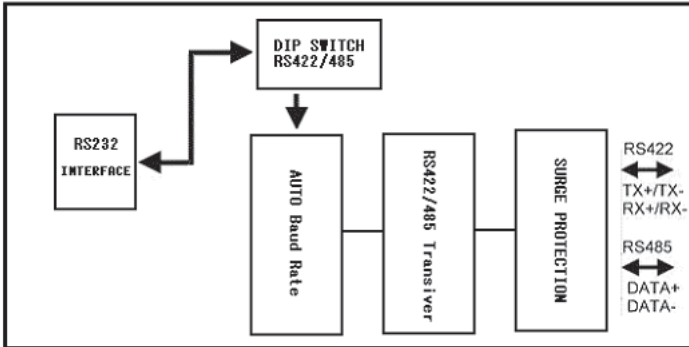


Figure 2

Hardware Installation

Connect the power source or use standard RS232 (TXD, RXD, DTR, DSR, CTS, RTS, GND)

Note: Connect the power source only. Do not use the external DC-Jack and screw terminal input simultaneously.

Connecting RS-232 to 422/485 Converter with host PC

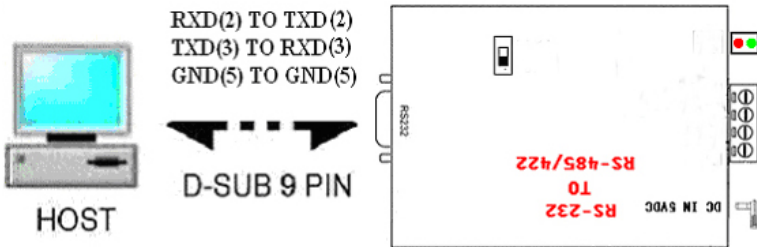


Figure 3

Connecting RS-232 to 422/485 Converter with RS485 serial device

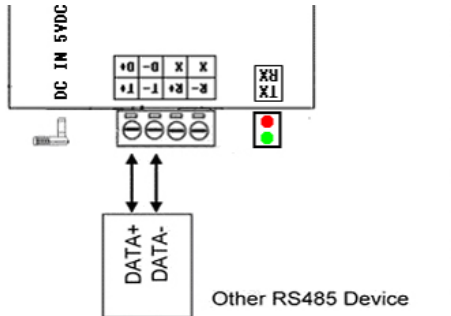


Figure 4

Connecting RS-232 to 422/485 Converter with RS422 serial device

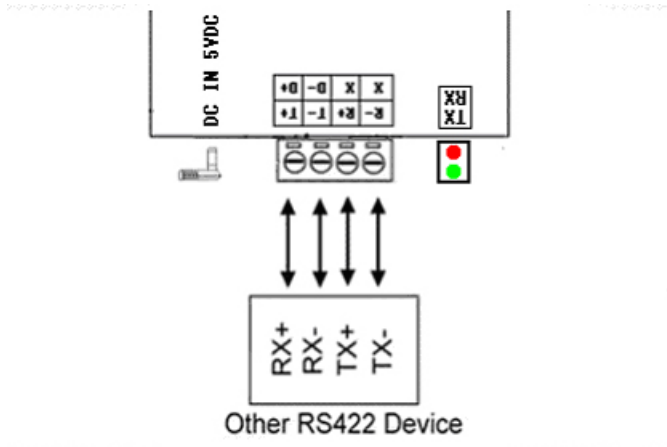


Figure 5

Loop back test

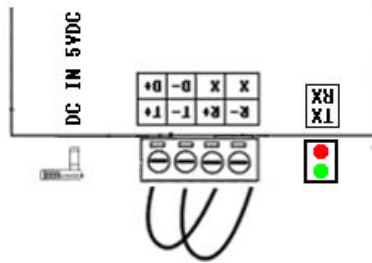


Figure 6

Terminal Resistor connection

RS-232 to 422/485 Converter does not have a built-in terminal resistor, user may add external terminal resistor by following connection

RS-485

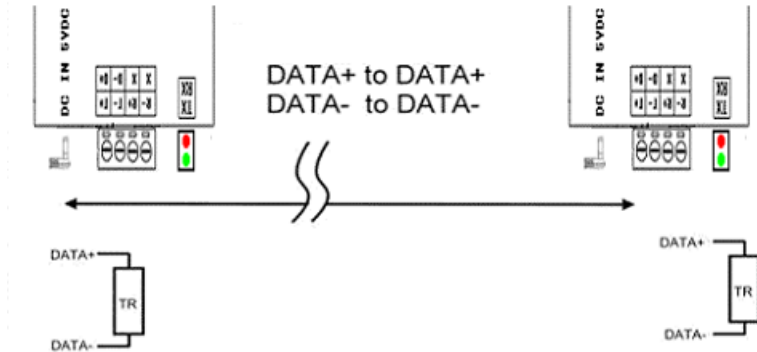


Figure 7

Terminal Resistor specification

110 ohm: If distance between both end of RS485 devices in 1.2KM .

220 ohm: If distance between both end of RS485 devices in 600M .

330 ohm: If distance between both end of RS485 devices in 300M

RS-422

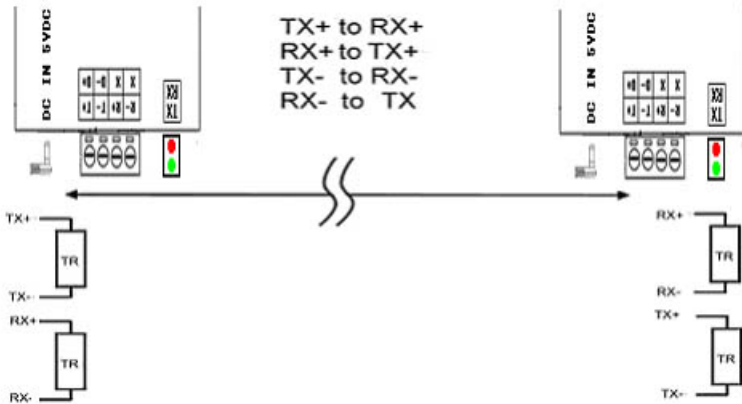


Figure 8

Terminal Resistor specification

110 ohm: If distance between both ends of RS422 devices in 1.2KM.

220 ohm: If distance between both ends of RS422 devices in 600M.

330 ohm: If distance between both ends of RS422 devices in 300M.

Technical Support and Warranty

QUESTIONS? SIIG's **Online Support** has answers! Simply visit our web site at www.siig.com and click **Support**. Our online support database is updated daily with new drivers and solutions. Answers to your questions could be just a few clicks away. You can also submit questions online and a technical support analysts will promptly respond.

SIIG offers a 5-year manufacturer warranty with this product. This warranty covers the original purchaser and guarantees the product to be free of any defects in materials or workmanship for five (5) years from the date of purchase of the product.

SIIG will, at our discretion, repair or replace (with an identical product or product having similar features and functionality) the product if defective in materials or workmanship. This warranty gives you specific legal rights, and you may also have other rights which vary from state to state. Please see our web site for more warranty details.

If you encounter any problems with this product, please follow the procedures below.

A) If it is within the store's return policy period, please return the product to the store where you purchased it.

B) If your purchase has passed the store's return policy period, please follow these steps to have the product repaired or replaced.

Step 1: Submit your RMA request. Go to www.siig.com, click **Support**, then **RMA** to submit a request to [SIIG RMA](#). Your RMA request will be processed, if the product is determined to be defective, an RMA number will be issued.

Step 2: After obtaining an RMA number, ship the product.

- Properly pack the product for shipping. All software, cable(s) and any other accessories that came with the original package must be included.
- Clearly write your RMA number on the top of the returned package. SIIG will refuse to accept any shipping package, and will not be responsible for a product returned without an RMA number posted on the outside of the shipping carton.
- You are responsible for the cost of shipping. Ship the product to the following address:

SIIG, Inc.
6078 Stewart Avenue
Fremont, CA 94538-3152, USA

RMA #: _____

- SIIG will ship the repaired or replaced product via Ground in the U.S. and International Economy outside of the U.S. at no cost to the customer.

About SIIG, Inc.

Founded in 1985, SIIG, Inc. is a leading manufacturer of IT connectivity solutions (including Serial ATA and Ultra ATA Controllers, FireWire, USB, and legacy I/O adapters) that bridge the connection between Desktop/ Notebook systems and external peripherals. SIIG continues to grow by adding A/V and Digital Signage connectivity solutions to our extensive portfolio. All centered around the distribution and switching of A/V signals over CAT5/6, these products include matrix switches, distribution amplifiers, extenders, converters, splitters, cabling, and more.

SIIG is the premier one-stop source of upgrades and is committed to providing high quality products while keeping economical and competitive prices. High-quality control standards are evident by one of the lowest defective return rates in the industry. Our products offer comprehensive user manuals, user-friendly features, and most products are backed by a lifetime warranty.

SIIG products can be found in many computer retail stores, mail order catalogs, and e-commerce sites in the Americas, as well as through major distributors, system integrators, and VARs.

PRODUCT NAME

RS-232 to 422/485 Converter

FCC RULES: TESTED TO COMPLY WITH FCC PART 15, CLASS B OPERATING ENVIRONMENT: FOR HOME OR OFFICE USE

FCC COMPLIANCE STATEMENT:

This device complies with part 15 of the FCC Rules. Operation is subject to the following two conditions: (1) This device may not cause harmful interference, and (2) this device must accept any interference received, including interference that may cause undesired operation.

THE PARTY RESPONSIBLE FOR PRODUCT COMPLIANCE

SIIG, Inc.
6078 Stewart Avenue
Fremont, CA 94538-3152, USA
Phone: 510-657-8688

RS-232 to 422/485 Converter is a trademark of SIIG, Inc. SIIG and the SIIG logo are registered trademarks of SIIG, Inc. Microsoft and Windows are registered trademarks of Microsoft Corporation. All other names used in this publication are for identification only and may be trademarks of their respective owners.