



SIIG® Installation Instructions

Home Theater Wall Plate

This home theater wall plate offers a variety of installation configurations. Designed for six speakers and a subwoofer, the Heavy-Duty 24k Gold plated Binding Posts are designed to resist corrosion and to provide the best possible connection.

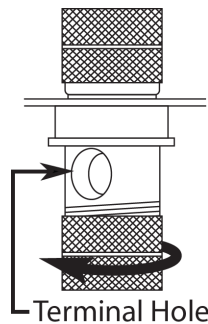
Note: The wall plate terminals can accommodate up to a 12 a.w.g. wire (lower # means thicker wire)

Installation:

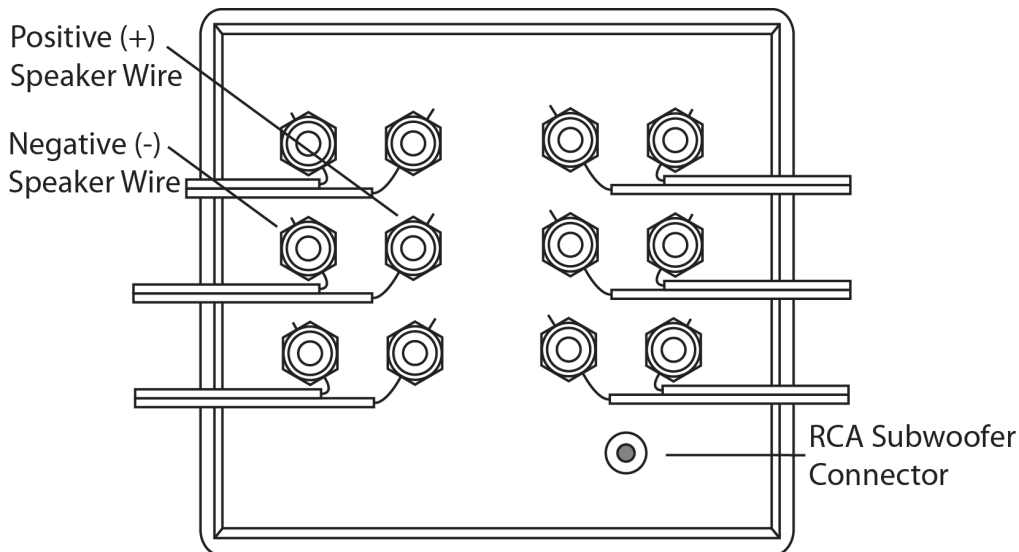
You can mount this speaker wall plate using a standard dual electrical box.

Caution: To avoid possible damage to home theater system components when connecting speaker wires to the + and - terminals, do not let any strands from the positive and negative wires touch each other.

1. Route the speaker wires through the opening in the back of the electrical box
2. Turn 12 screw terminal sleeves on the back of the wallplate counterclockwise to expose terminal holes.



3. For each terminal insert the corresponding positive (+) speaker wire into the terminal hole on the screw terminal with the red stripe, then turn the sleeve clockwise to secure the wires.
4. For each terminal insert the corresponding negative (-) speaker wire into the terminal hole on the screw terminal with the black stripe, then turn the sleeve clockwise to secure the wires.



5. Remove the Face plate from the wall plate, you will find four screws hidden there. Place the wall plate against the opening of the electrical box, then thread the four supplied screws through the screw holes in the wall plate and the electrical box, then tighten the screws and reattach the face plate.
 6. You may connect your speakers to the front of the wall plate using banana jacks, or you may connect them by using the binding posts. The usage of Gold Plated banana plugs is recommended(not included).
- To use banana plugs insert the positive and negative plugs into the corresponding positive and negative jacks on the front of the wall plate.
 - To connect the speaker wire to the front using the binding posts, see steps 2-4.