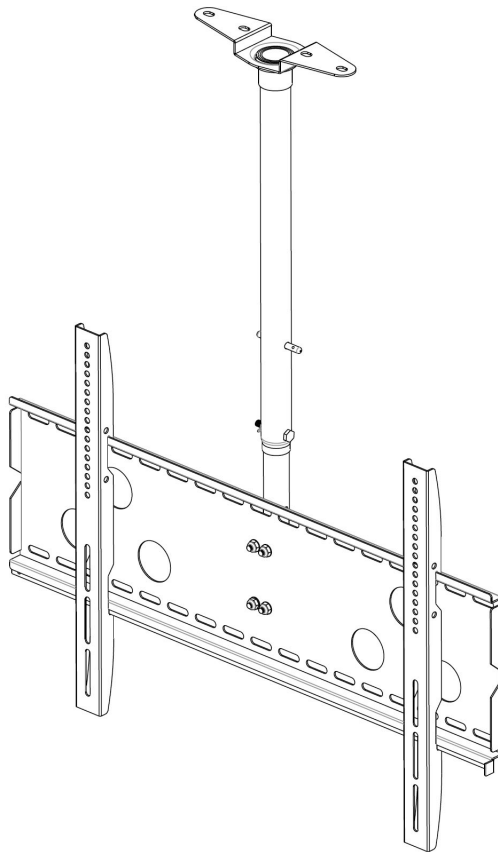




Ceiling Mount - 32" to 60" - Single

Installation Instructions



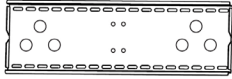
Important Safety Information

- Use proper safety equipment during installation
- If you don't understand the installation instructions, have any doubts about the safety of the installation, or are uncertain about the nature of your wall, please consult an installation specialist
- Do not use this product for any purpose or in any configuration not explicitly specified in these instructions
- SIIG, Inc. is NOT RESPONSIBLE for any damage or injury caused by incorrect installation, assembly or use

Unpacking

- Carefully remove contents and lay out on cardboard or other protective surface
- Check package contents against the parts list to ensure that all components were received undamaged. Do not use damaged or defective parts
- Carefully read all instructions before attempting installation

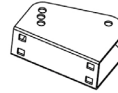
Parts List



a - (1x) Wall Plate



b - (2x) Monitor Bracket



c - (1x) Tilt Bracket



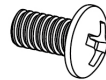
d - (1x) Locking Bar



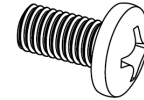
e - (4x) M4 x 12 Bolt



f - (4x) M5 x 12 Bolt



g - (4x) M6 x 12 Bolt



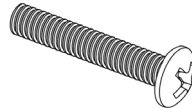
h - (4x) M8 x 16 Bolt



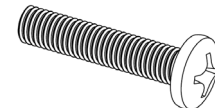
i - (4x) M4 x 30 Bolt



j - (4x) M5 x 30 Bolt



k - (4x) M6 x 35 Bolt



l - (4x) M8 x 40 Bolt



m - (4x) M4 Lock Washer



n - (4x) M5 Lock Washer



o - (4x) M6 Lock Washer



p - (4x) M8 Lock Washer



q - (4x) M4/M5 Spacer



r - (4x) M6/M8 Spacer



s - (8x) M4/M5 Washer



t - (18x) M6/M8 Washer



u - (4x) M8 x 90 Lag Bolt



v - (4x) M10 x 80 Concrete Anchor



w - (4x) Short Bolt



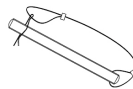
x - (3x) Long Bolt



y - (5x) Nut



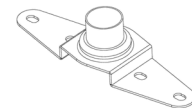
z - (2x) Butterfly Nut



A - (1x) Security Loop



B - (1x) Tube Set



C - (1x) Ceiling Plate

Tools Required

- Phillips screwdriver
- Wrench or socket set
- 5/32" (4mm) drill bit
- 3/8" (10mm) masonry drill bit
- Carpenter's level
- Stud finder

Installation

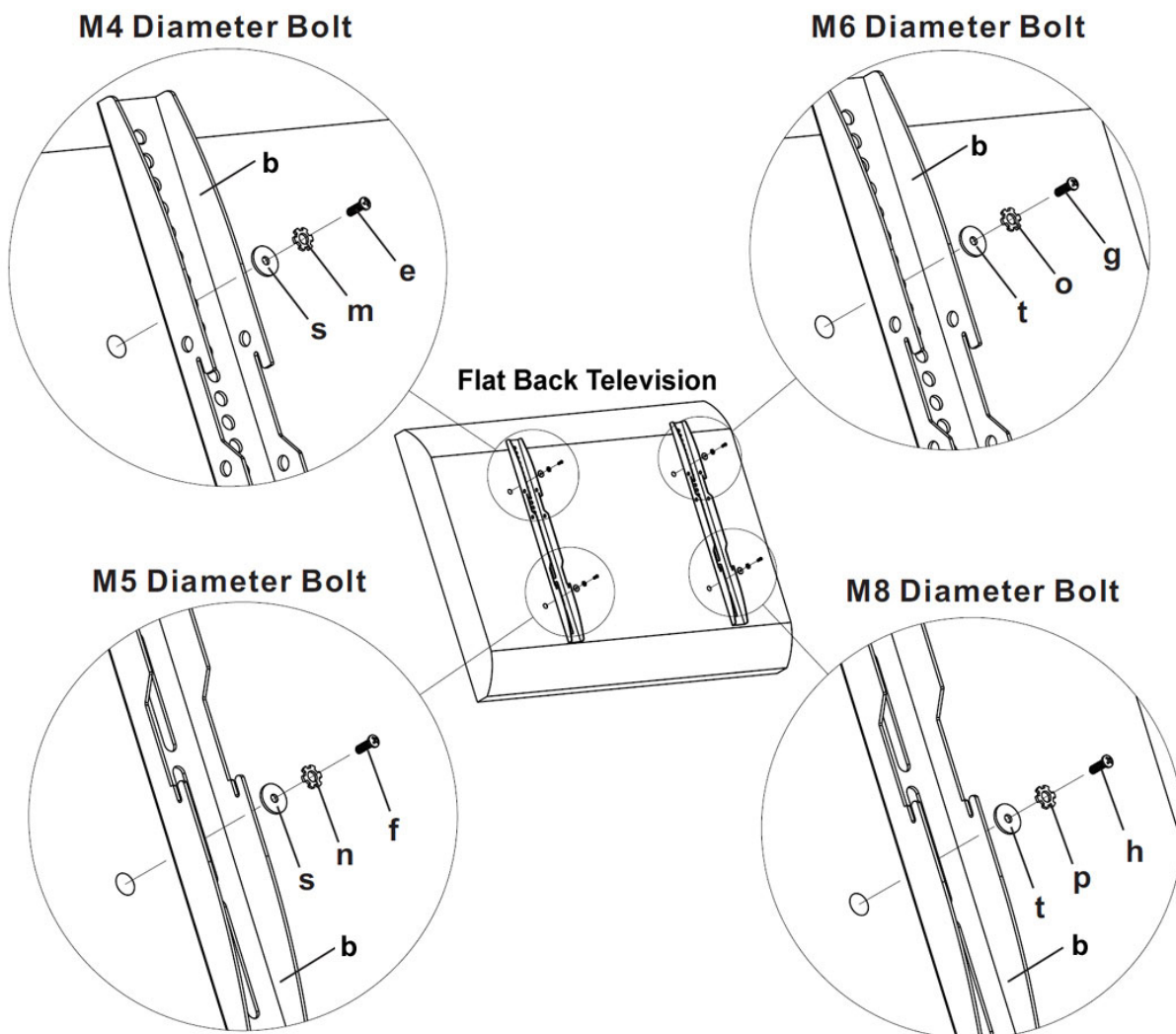
Caution: This TV mount must be securely attached to ceiling. If the mount is not properly installed it may fall, resulting in possible injury and/or damage. SIIG, Inc. is **NOT RESPONSIBLE** for any damage or injury caused by incorrect installation, assembly or use

Note: The mounting components and hardware supplied in this package are not designed for installations to ceilings with steel studs. If the hardware you need for your installation is not included, please consult your local hardware store for proper mounting hardware for the application.

Step 1A - Mounting the Monitor Bracket to a TV with a Flat Back

1. Place your TV screen down on a soft, flat surface, and locate the threaded mounting holes that are located on the back of the display.
2. Determine the depth of the mounting holes by inserting a straw or toothpick. Select the Bolt (e, f, g, h) with the correct depth and diameter of the mounting holes of your TV.
3. Please make sure the Monitor Brackets are vertically centered and level with each other.
4. Thread the Bolts into the TV using the correct Lock Washer (m, n, o, p) and Washer (s, t). See Figure 1.

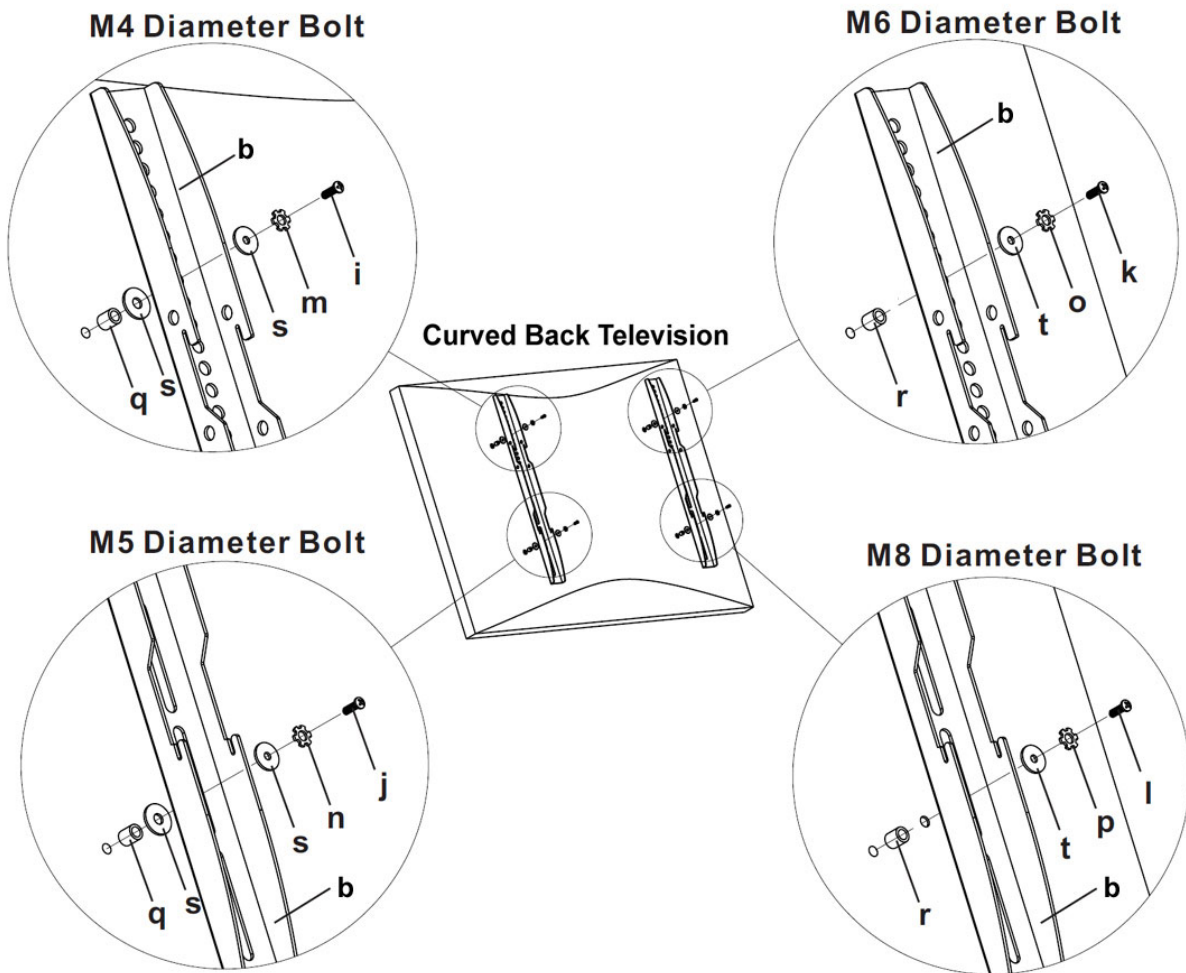
Figure 1



Step 1B - Mounting the Monitor Bracket to a TV with a Curved Back

1. Place your TV screen down on a soft, flat surface, and locate the threaded mounting holes that are located on the back of the display.
2. Determine the depth of the mounting holes by inserting a straw or toothpick. Select the Bolt (i, j, k, l) with the correct depth and diameter of the mounting holes of your TV.
3. Please make sure the Monitor Brackets are vertically centered and level with each other.
4. Thread the Bolts into the TV using the correct Lock Washer (m, n, o, p), Washer (s, t) and Spacer (q, r). For the M4 x30 Bolt (i) and M5 x 30 Bolt (j), you will need another M4/M5 Washer (s) between the Monitor Bracket and the Spacer. See Figure 2.

Figure 2

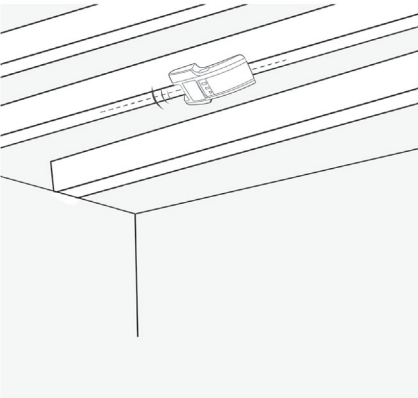


Step 2A - Preparing the Surface for a Wood Joist Installation

Warning: Do not attach more than 175 lbs. (80 kg) to the ceiling mount and ensure the ceiling structure is capable of supporting at least 350 lbs. (160 kg). If not, the ceiling structure must be reinforced before installation.

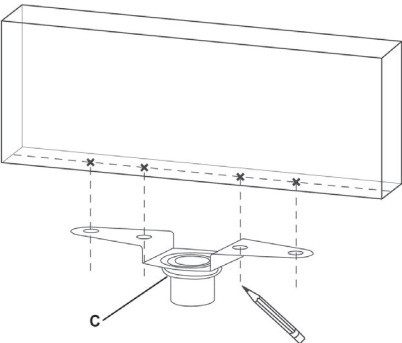
1. Determine the desired mounting location.
2. Use a high quality electronic stud finder (commercially available) to locate the dead center of the wood ceiling joist and mark the dead center. See Figure 3.

Figure 3



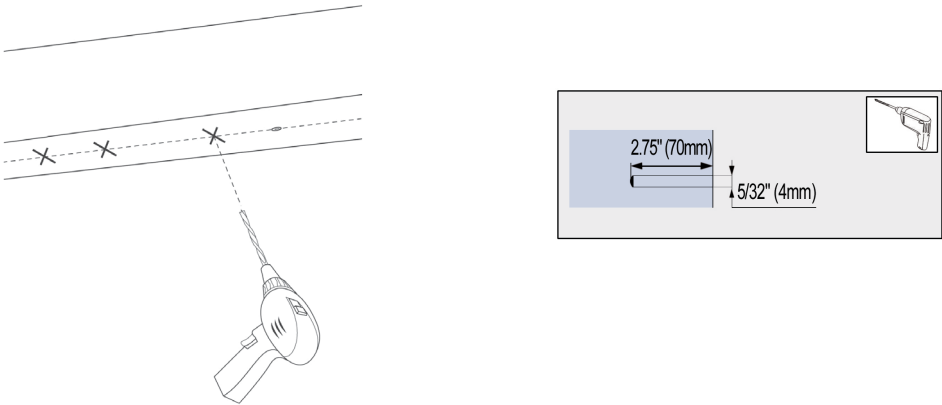
3. Using the wood joist center marking and the Ceiling Plate (C) as a template, mark the mounting hole locations with a pencil. See Figure 4.

Figure 4



4. Pre-drill a 5/32" (4mm) hole to a depth of 2.75" in the ceiling joist at each marked location. See Figure 5.

Figure 5

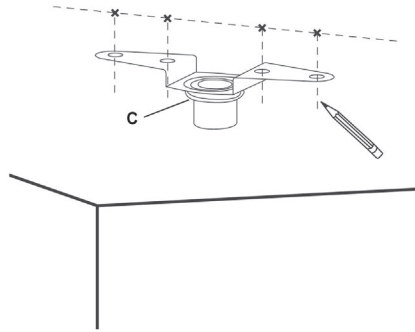


Step 3B - Preparing the Surface for a Concrete/Brick Installation

Warning: Do not attach more than 175 lbs. (80 kg) to the ceiling mount and ensure the ceiling structure is capable of supporting at least 350 lbs. (160 kg). If not, the ceiling structure must be reinforced before installation.

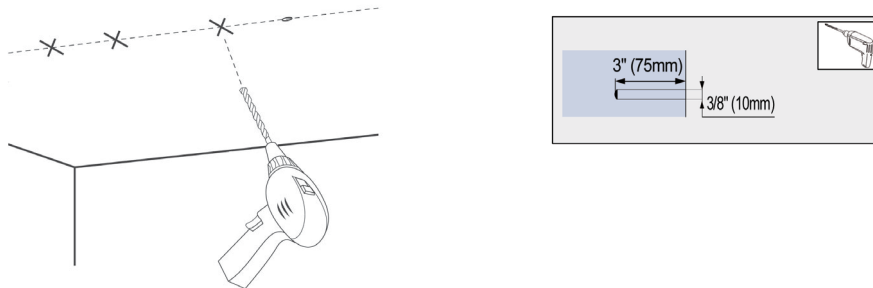
1. Determine the desired mounting location.
2. Using the Ceiling Plate (C) as a template, mark the mounting hole locations with a pencil. See Figure 6.

Figure 6



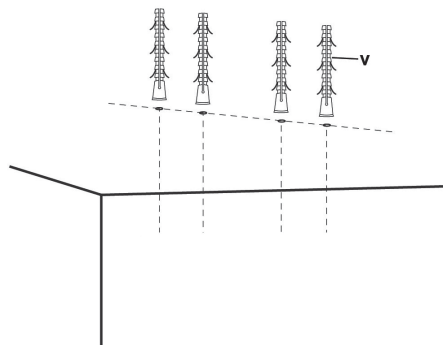
3. Pre-drill a 3" deep hole at each marked location using a 3/8" masonry drill bit.

Figure 7



4. Insert M10 x 80 Concrete Anchor (v) into each hole until it is flush. If necessary a hammer can be used to LIGHTLY tap each anchor into place until flush with the ceiling. See Figure 8.

Figure 8



Step 3 - Mounting to Ceiling and Final Assembly

1. Pass the Tube Set (B) through the middle hole of the Ceiling Plate (C), see Figure 9.
2. Determine the height for the Tube Set (B) and align the top and bottom holes on each tube. Insert Security Loop (A) to secure the bottom hole and insert the Long Bolt (x), M6/M8 Washer (t) and Nut (y) to secure the top hole, see Figure 10.

Note: It is recommended to route your TV cables through the Tube Set prior to inserting the Security Loop and Long Bolt. The cables will be more difficult to thread when the security loop and long bolt are attached.

Figure 9

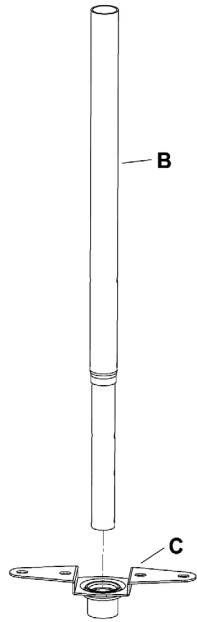
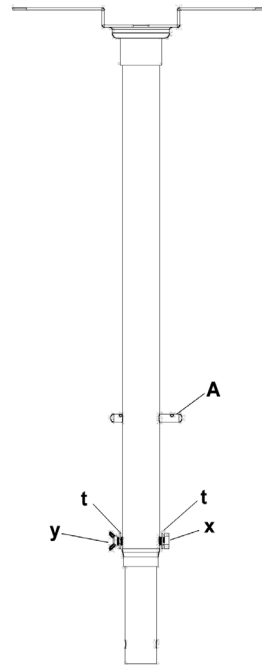
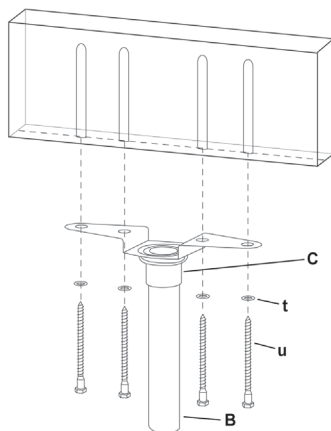


Figure 10



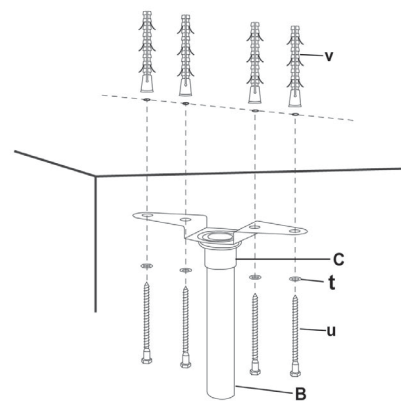
3. Place the Ceiling Plate (C) with the Tubeset (B) fully inserted against the ceiling and line up the mounting holes with the drilled locations.
4. For each location, insert a M8 x 90 Lag Bolt (u) and M6/M8 Washer (t) and tighten. Do not fully tighten until all bolts are in place. For wood ceilings, see Figure 11. For brick/concrete ceilings, see Figure 12.

Figure 11



Wood Ceiling

Figure 12



Concrete/Brick Ceiling

5. Tighten all bolts with an open end wrench or socket until fully tight (careful not to over tighten).
6. Use Short Bolt (w), Nut (y) and M6/M8 Washer (t) to attach Tilt Bracket (c) to the Wall Plate (a), see Figure 13.
7. Connect the Tilt Bracket (c) (located on the back of the Wall Plate) to the bottom of the Tube Set (B). Insert Long Bolt (x), Butterfly Nut (z) and M6/M8 Washer (t) into the top hole first, adjust the tilt angle of the TV, then and insert Long Bolt (x), Butterfly Nut (z) and M6/M8 Washer (t) into the bottom hole, see Figure 14. Tighten all bolts.

Figure 13

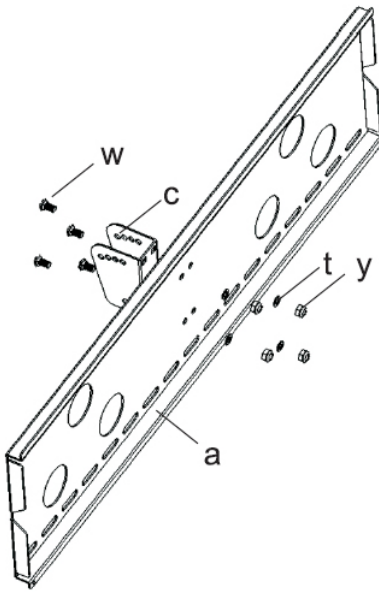
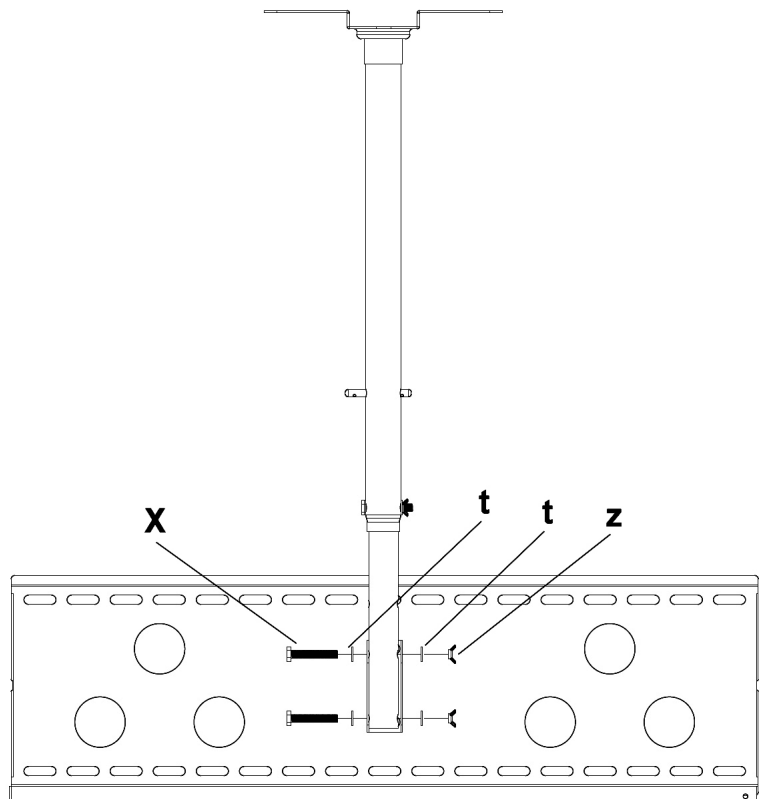


Figure 14



Step 4 - Final Installation and Adjustment

Warning: Some TVs may require two people to lift. SIIG, Inc. is NOT RESPONSIBLE for any damage or injury caused by incorrect installation, assembly or use.

1. Hook the Monitor Brackets (b) over the top of the Wall Plate (a), then let the bottom of the Monitor Bracket rotate to the bottom of the Wall Plate, see Figure 15.
2. Insert the Locking Bar (d) into the slots in the bottom of the Monitor Brackets, so that it sits behind the bottom tab on the Wall Plate, see Figure 16.
3. Once the Locking Bar passes out the other side of the Wall Plate, a padlock can be added to the hole in the Locking Bar for additional safety and security.

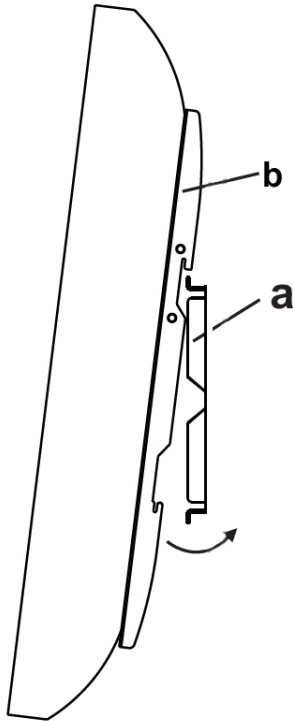


Figure 15

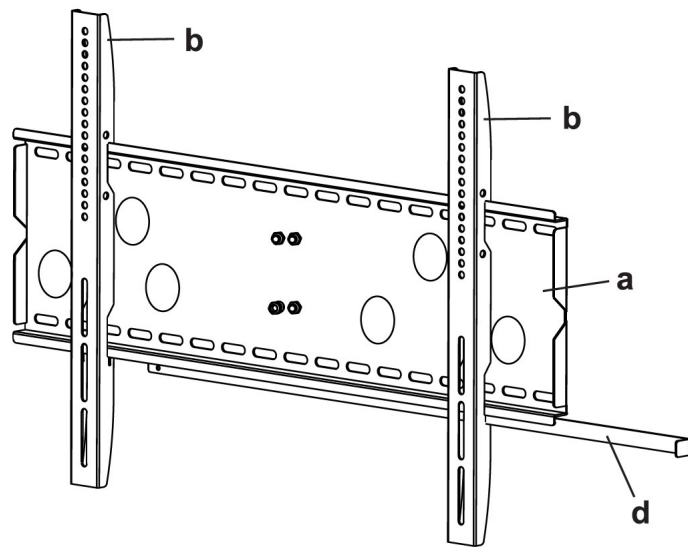


Figure 16

Blank Page

Blank Page

Technical Support and Warranty

QUESTIONS? SIIG's **Online Support** has answers! Simply visit our web site at www.siig.com and click **Support**. Our online support database is updated daily with new drivers and solutions. Answers to your questions could be just a few clicks away. You can also submit questions online and a technical support analyst will promptly respond.

SIIG offers a 5-year manufacturer warranty with this product. This warranty covers the original purchaser and guarantees the product to be free of any defects in materials or workmanship for five (5) years from the date of purchase of the product.

SIIG will, at our discretion, repair or replace (with an identical product or product having similar features and functionality) the product if defective in materials or workmanship. This warranty gives you specific legal rights, and you may also have other rights which vary from state to state. Please see our web site for more warranty details.

If you encounter any problems with this product, please follow the procedures below.

- A) If it is within the store's return policy period, please return the product to the store where you purchased from.
- B) If your purchase has passed the store's return policy period, please follow the steps below to have the product repaired or replaced.

Step 1: Submit your RMA request.

Go to www.siig.com, click **Support**, then **RMA** to submit a request to [SIIG RMA](#) or fax a request to 510-657-5962. Your RMA request will be processed, if the product is determined to be defective, an RMA number will be issued.

Step 2: After obtaining an RMA number, ship the product.

- Properly pack the product for shipping. All accessories that came with the original package must be included.
- Clearly write your RMA number on the top of the returned package. SIIG will refuse to accept any shipping package, and will not be responsible for a product returned without an RMA number posted on the outside of the shipping carton.
- You are responsible for the cost of shipping to SIIG. Ship the product to the following address:
SIIG, Inc.
6078 Stewart Avenue
Fremont, CA 94538-3152, USA
RMA #: _____
- SIIG will ship the repaired or replaced product via Ground in the U.S. and International Economy outside of the U.S. at no cost to the customer.

About SIIG, Inc.

Founded in 1985, SIIG, Inc. is a leading manufacturer of IT connectivity solutions (including Serial ATA and Ultra ATA Controllers, FireWire, USB, and legacy I/O adapters) that bridge the connection between Desktop / Notebook systems and external peripherals. SIIG continues to grow by adding A/V and Digital Signage connectivity solutions to our extensive portfolio.

SIIG products offer comprehensive user manuals, many user-friendly features, and are backed by an extensive manufacturer warranty. High quality control standards are evident by the overall ease of installation and compatibility of our products, as well as one of the lowest defective return rates in the industry. SIIG products can be found in computer retail stores, mail order catalogs, through major distributors, system integrators, and VARs in the Americas and the UK, and through e-commerce sites.

<p style="text-align: center;">PRODUCTNAME Ceiling Mount 32" to 60" - Single</p>

Ceiling Mount 32" to 60" - Single is a trademark of SIIG, Inc. SIIG and the SIIG logo are registered trademarks of SIIG, Inc. All other names used in this publication are for identification only and may be trademarks of their respective owners.