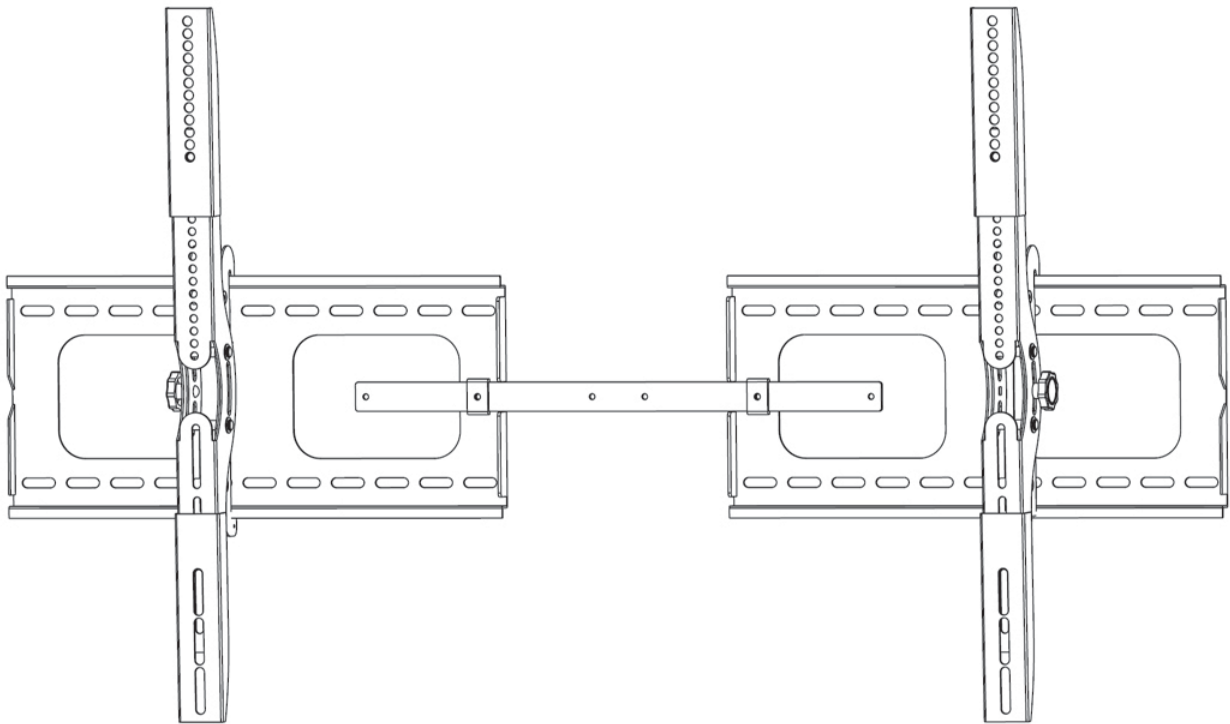




Universal Tilting XL TV Mount - 60" to 102"

Installation Instructions



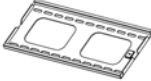



Important Safety Information

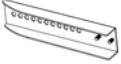



- Use proper safety equipment during installation
- If you don't understand the installation instructions, have any doubts about the safety of the installation, or are uncertain about the nature of your wall, please consult an installation specialist
- Do not use this product for any purpose or in any configuration not explicitly specified in these instructions.
- SIIG, Inc. is NOT RESPONSIBLE for any damage or injury caused by incorrect installation, assembly or use





Unpacking





- Carefully remove contents and lay out on cardboard or another protective surface
- Check package contents against the parts list to ensure that all components were received undamaged. Do not use damaged or defective parts
- Carefully read all instructions before attempting installation





Parts List





			
a - (2x) Wall Plate	b - (1x) Left Monitor Bracket	c - (1x) Right Monitor Bracket	d - (1x) Allen Key





			
e - (2x) Bracket Extension Top	f - (2x) Bracket Extension Bottom	g - (8x) Metal Washer	h - (8x) Nut




			
i - (4x) M5 x 12 Bolt	j - (4x) M6 x 12 Bolt	k - (4x) M8 x 16 Bolt	l - (4x) M10 x 16 Bolt

			
m - (4x) M5 x 30 Bolt	n - (4x) M6 x 35 Bolt	o - (4x) M8 x 40 Bolt	p - (4x) M10 x 40 Bolt

			
q - (4x) M5 Lock Washer	r - (4x) M6 Lock Washer	s - (4x) M8 Lock Washer	t - (4x) M10 Lock Washer

			
u - (4x) M5/M6/M8 Spacer	v - (4x) M10 Spacer	w - (8x) M5 Washer	x - (4x) M6/M8/M10 Washer

			
y - (2x) Plastic Knob	z - (8x) Lag Bolt	A - (8x) Lag Bolt Washer	B - (8x) Concrete Anchor

			
C - (1x) Connection Bar	D - (2x) M6 x 6 Bolt	E - (2x) Bubble Level	

Tools Required

- Phillips screwdriver
- Wrench or socket set
- 5/32" (4mm) drill bit
- 3/8" (10mm) masonry drill bit
- Carpenter's level

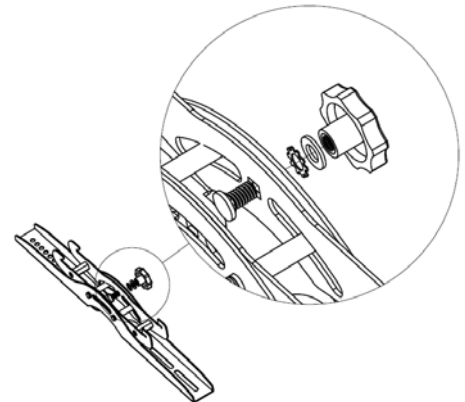
Installation

Caution: This TV mount must be securely attached to a vertical wall. If the mount is not properly installed it may fall, resulting in possible injury and/or damage.

Note: The mounting components and hardware supplied in this package are not designed for installations to walls with steel studs or to cinder block walls. If the hardware you need for your installation is not included, please consult your local hardware store for proper mounting hardware for the application.

Installing the Plastic Knob

Please install the Plastic Knob (y) on the Monitor Bracket (b,c) as shown in the diagram before going to **Step 1**. Please note the plastic knobs should be installed on the outside facing side of the monitor bracket.

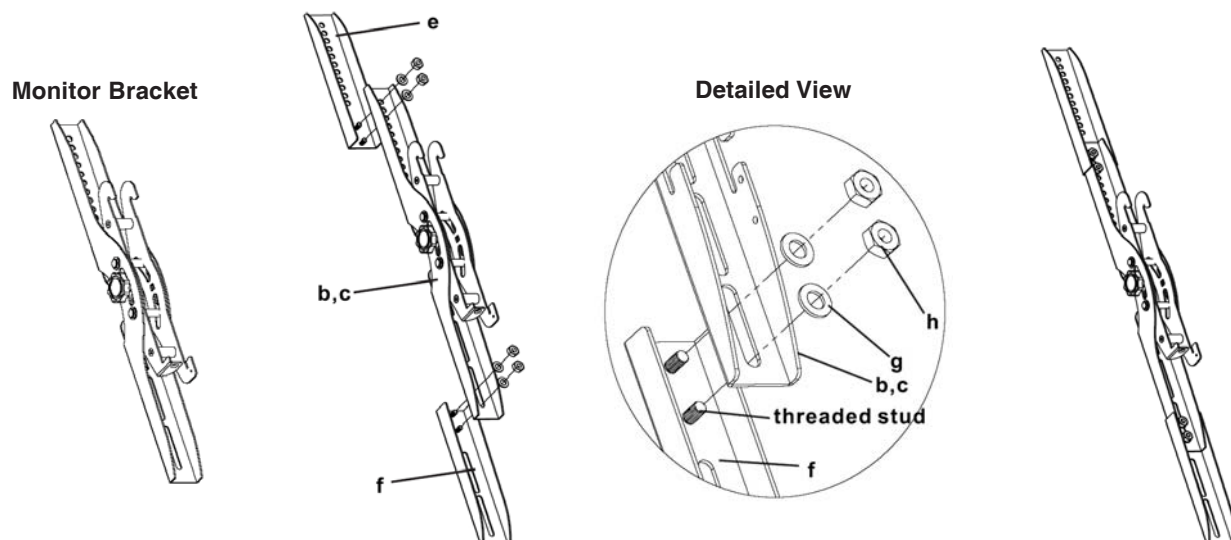


Step 1 - Configure the Monitor Brackets

Determine if you need to install the Monitor Bracket Extensions (e,f) onto the Monitor Brackets (b,c) by placing a Monitor Bracket on the back of your TV. If the hole pattern on the back of the TV falls within the vertical reach of the Monitor Bracket, you do not need to install the Monitor Bracket Extensions. Proceed to Step 2 if you do not need to install the Monitor Bracket Extensions.

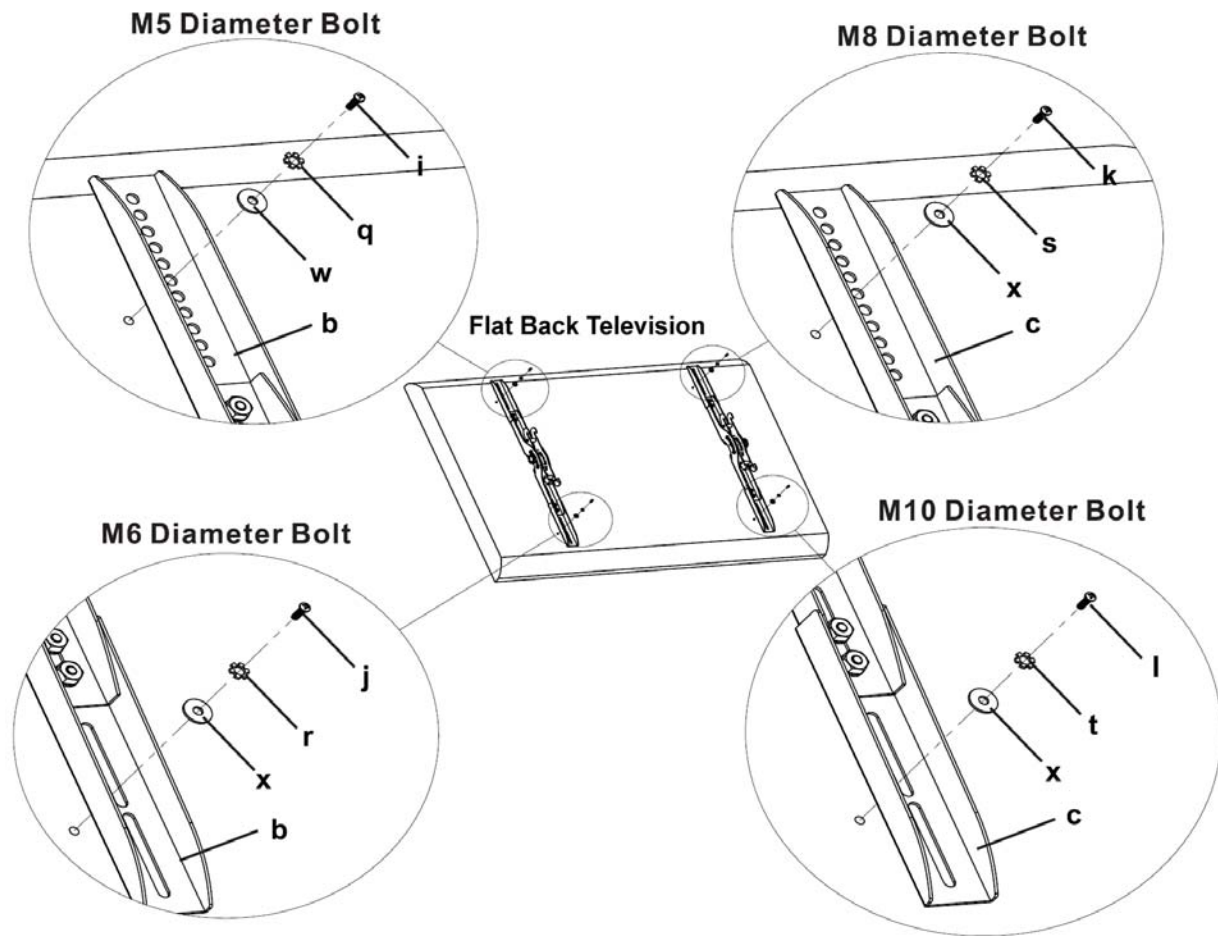
Note: Both Monitor Bracket Extensions must be used for each arm or none should be used.

1. To install the Monitor Bracket Extension (e,f), place the threaded stud portion through the Monitor Bracket (b,c).
2. Slide a Metal Washer (g) onto the threaded stud, secure the Monitor Bracket Extension by threading and tightening Nut (h) onto each threaded stud.
3. The Monitor Bracket Extension can be adjusted to the correct height. The image below shows the maximum extension. Both threaded studs on each Monitor Bracket Extension must pass through the Monitor Bracket to ensure a safe installation.



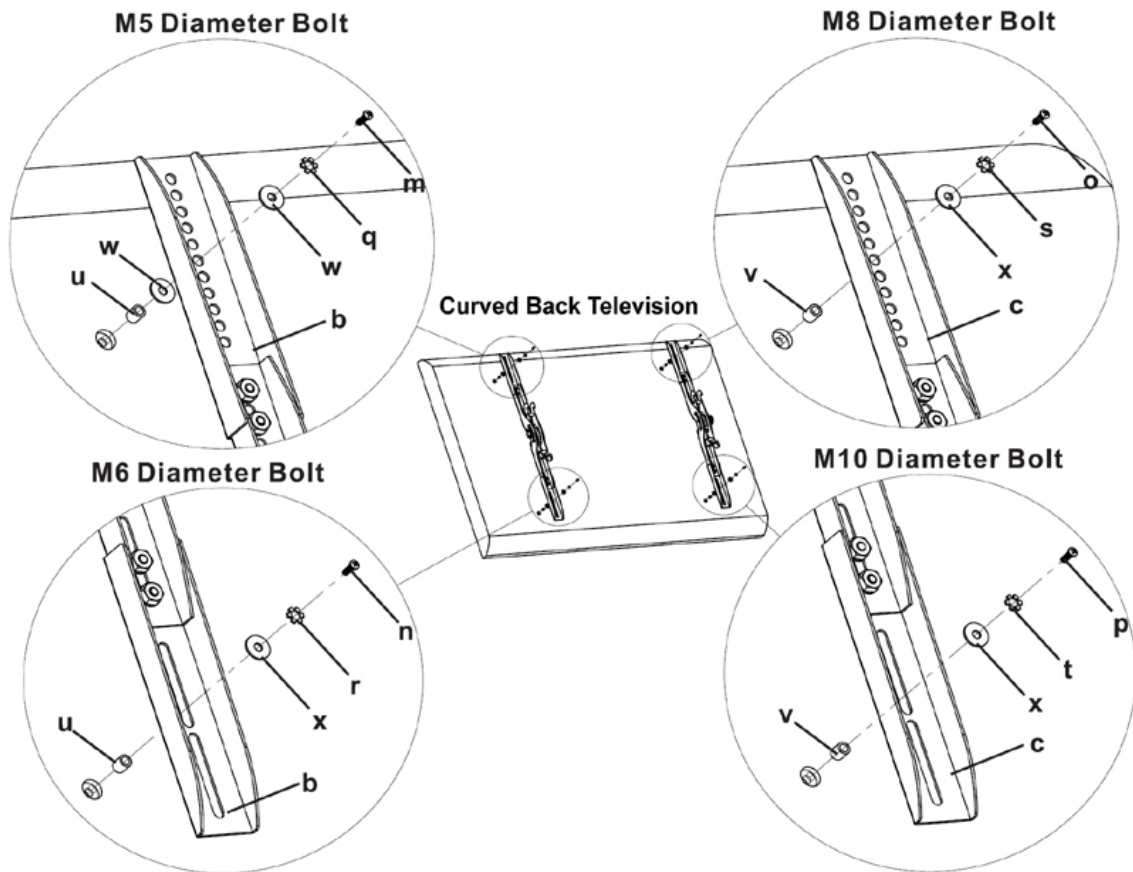
Step 2A - Mounting the Monitor Brackets to a TV with a Flat Back

1. Place your TV screen down on a soft, flat surface, and locate the threaded mounting holes that are located on the back of the display.
2. Determine the depth of the mounting holes by inserting a straw or toothpick. Select the Bolt (i, j, k, l) with the correct depth and diameter of the mounting holes of your TV.
3. Please make sure the Monitor Brackets are vertically centered and level with each other.
4. Thread the Bolts into the TV using the correct Lock Washer (q, r, s, t) and Washer (w, x).



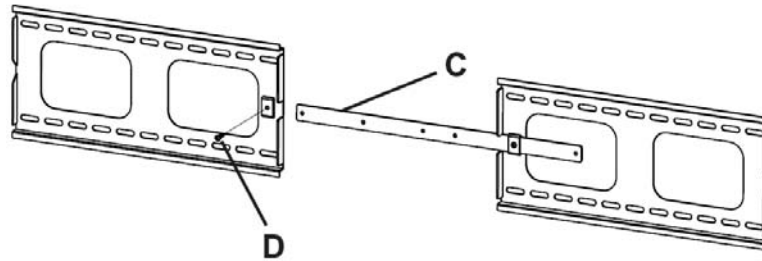
Step 2B - Mounting the Monitor Brackets to a TV with a Curved Back

1. Place your TV screen down on a soft, flat surface, and locate the threaded mounting holes that are located on the back of the display.
2. Determine the depth of the mounting holes by inserting a straw or toothpick. Select the Bolt (m, n, o, p) with the correct depth and diameter of the mounting holes of your TV.
3. Please make sure the Monitor Brackets are vertically centered and level with each other.
4. Thread the Bolts into the TV using the correct Lock Washer (q, r, s, t), Washer (w, x) and Spacer (u, v). For the M5 x 12 Bolt (i), you will need another M5 Washer (w) between the Monitor Bracket and the Spacer.

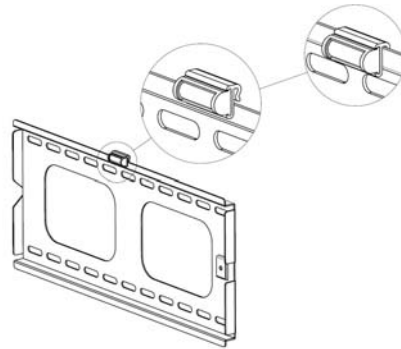


Step 3 - Connecting the Wall Plate

1. Determine the proper width you want for the wall plate, then insert the Connection Bar (C) into the slot in the middle of each Wall Plate (a). Insert the M6 x 6 Bolt (D) into the threaded holes in the Connection Bar.



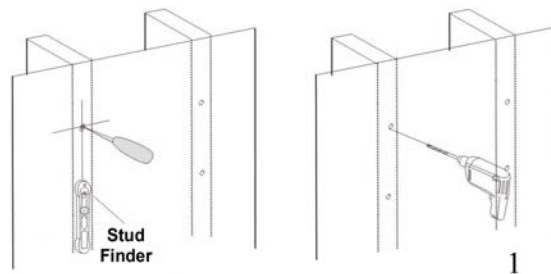
2. Attach the Bubble Level (E) to the top edge of each Wall Plate (a).



Step 4A - Mounting the Wall Plate to the Wall - Wood Stud Mounting

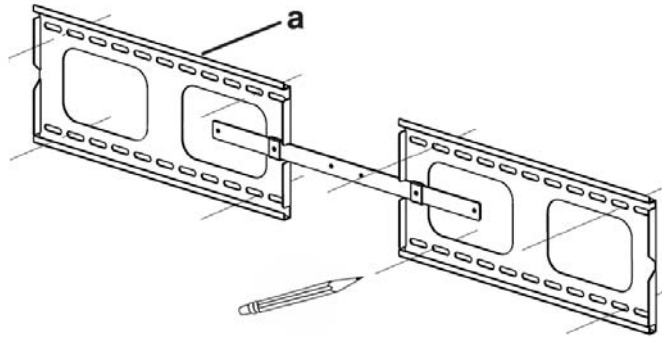
Each Wall Plate must be mounted to two wood studs that are at least 16" (406mm) apart.

1. Use a high quality stud finder (commercially available) to locate dead center of two studs. and mark their location with a pencil.

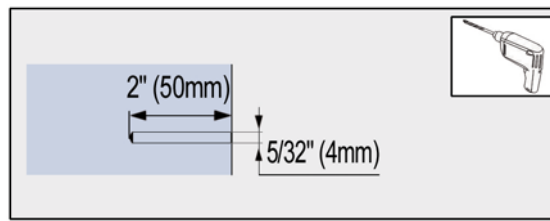


2. With the help of an assistant, and using the Bubble Level (E) to ensure the wall plate is level, position the wall plate against the wall in the desired mounting location.

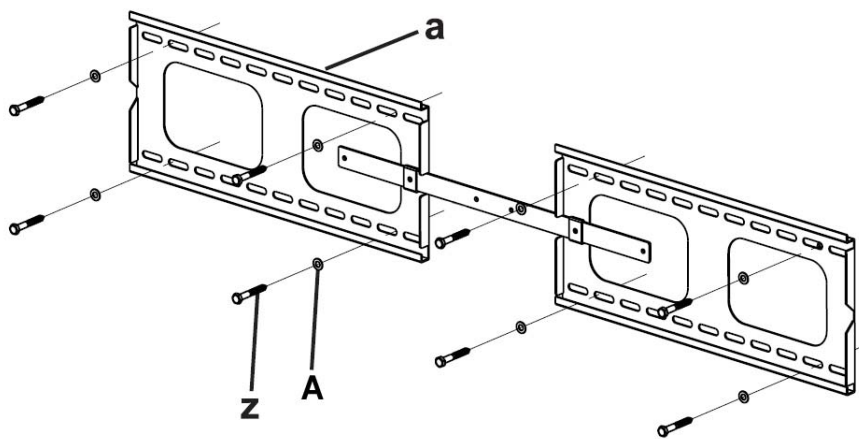
- Use each wall plate as a template to mark the right (upper and lower) and the left (upper and lower) positions of the small horizontal slots that are in alignment with the stud. Mark four positions total. Take down the wall plate.



- Pre-drill a 2" (50mm) deep hole at each marked location using a 5/32" (4mm) drill bit.

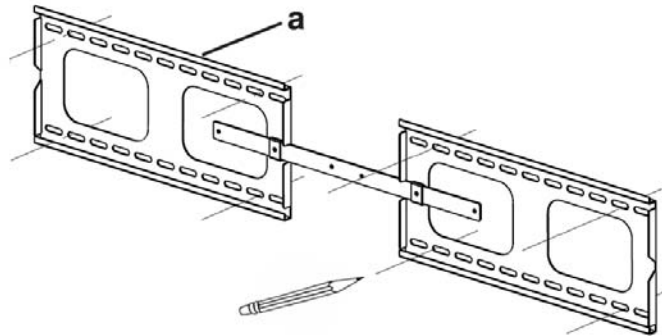


- Place the Wall Plate against the wall, line up the mounting slots with the drilled holes. Check the bubble level to verify the wall plate is level.
- For each location insert Lag Bolt (z) and Lag Bolt Washer (a). Do not fully tighten until all bolts are in place.
- Tighten the bolts with an open ended socket wrench by turning clockwise until fully tight.

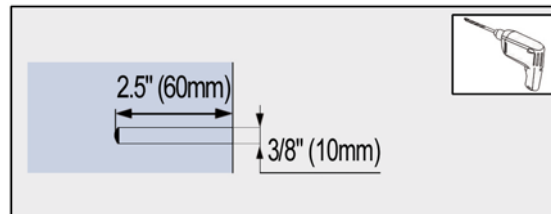


Step 4B - Mounting the Wall Plate to the Wall - Brick, Solid Concrete and Concrete Block Mounting

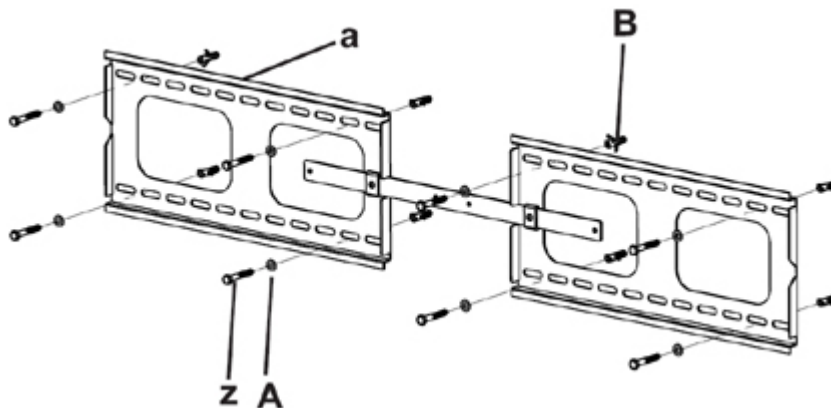
1. Use each wall plate as a template to mark 4 holes at the desired height. Two in the top row and two in the bottom row. Make sure there is at least 6" (150mm) distance between each hole. Check the Bubble Level (E) to verify the wall plate is level.



2. Pre-drill a 2.5" (60mm) deep hole at each marked location using a 5/8" (10mm) masonry drill bit.



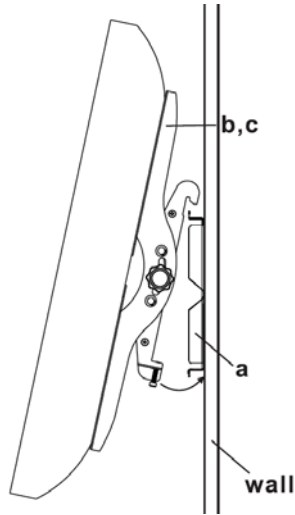
3. Insert a Concrete Anchor (B) into each hole. Make sure the anchor is seated completely flush with the concrete surface even if there is a layer of drywall or other material in front. If necessary, a hammer can be used to lightly tap each anchor into place.
4. Once all the anchors are in place, move the Wall Plate into position, line up the mounting slots with each concrete anchor. Check the bubble level to verify the Wall Plate is level.
5. Insert Lag Bolt (z) and Lag Bolt Washer (A) into each anchor and tighten. Do not fully tighten until all bolts are in place.
6. Tighten the bolts with an open ended socket wrench by turning clockwise until tight.



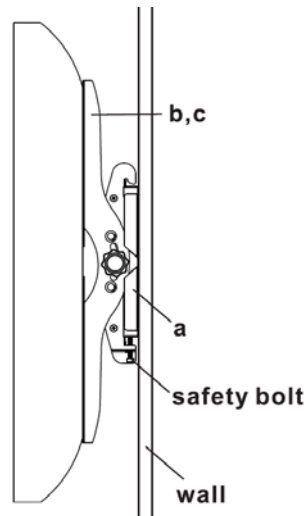
Step5 - Final Installation and Adjustment

Warning: Some TVs may require two people to lift. SIIG, Inc. is NOT RESPONSIBLE for any damage or injury caused by incorrect installation, assembly or use.

1. Hook the Monitor Brackets (b,c) over the top of the Wall Plate (a), then let the bottom of the Monitor Bracket rotate to the bottom of the Wall Plate.



2. Use the Allen Key (d) to tighten the safety bolt. The Monitor Bracket will sit behind the bottom tab on the Wall Plate.



3. The TV can be tilted down up to 15 degrees. To make this adjustment, first loosen the Plastic Knob (y) located on each Monitor Bracket, then push or pull on the Monitor Bracket until the desired position is achieved. Once the desired level of tilt is achieved, re-tighten the Monitor Bracket by turning the Plastic Knobs.

Blank Page

Blank Page

Technical Support and Warranty

QUESTIONS? SIIG's **Online Support** has answers! Simply visit our web site at www.siig.com and click **Support**. Our online support database is updated daily with new drivers and solutions. Answers to your questions could be just a few clicks away. You can also submit questions online and a technical support analyst will promptly respond.

SIIG offers a 5-year manufacturer warranty with this product. This warranty covers the original purchaser and guarantees the product to be free of any defects in materials or workmanship for five (5) years from the date of purchase of the product. SIIG will, at our discretion, repair or replace (with an identical product or product having similar features and functionality) the product if defective in materials or workmanship. This warranty gives you specific legal rights, and you may also have other rights which vary from state to state. Please see our web site for more warranty details.

If you encounter any problems with this product, please follow the procedures below.

- A) If it is within the store's return policy period, please return the product to the store where you purchased from.
- B) If your purchase has passed the store's return policy period, please follow the steps below to have the product repaired or replaced.

Step 1: Submit your RMA request.

Go to www.siig.com, click **Support**, then **RMA** to submit a request to [SIIG RMA](#) or fax a request to 510-657-5962. Your RMA request will be processed, if the product is determined to be defective, an RMA number will be issued.

Step 2: After obtaining an RMA number, ship the product.

- Properly pack the product for shipping. All accessories that came with the original package must be included.
- Clearly write your RMA number on the top of the returned package. SIIG will refuse to accept any shipping package, and will not be responsible for a product returned without an RMA number posted on the outside of the shipping carton.
- You are responsible for the cost of shipping to SIIG. Ship the product to the following address:
SIIG, Inc.
6078 Stewart Avenue
Fremont, CA 94538-3152, USA
RMA #: _____
- SIIG will ship the repaired or replaced product via Ground in the U.S. and International Economy outside of the U.S. at no cost to the customer.

About SIIG, Inc.

Founded in 1985, SIIG, Inc. is a leading manufacturer of IT connectivity solutions (including Serial ATA and Ultra ATA Controllers, FireWire, USB, and legacy I/O adapters) that bridge the connection between Desktop/Notebook systems and external peripherals. SIIG continues to grow by adding A/V and Digital Signage connectivity solutions to our extensive portfolio.

SIIG products offer comprehensive user manuals, many user-friendly features, and are backed by an extensive manufacturer warranty. High quality control standards are evident by the overall ease of installation and compatibility of our products, as well as one of the lowest defective return rates in the industry. SIIG products can be found in computer retail stores, mail order catalogs, through major distributors, system integrators, and VARs in the Americas and the UK, and through e-commerce sites.

<p>PRODUCT NAME</p>

<p>Universal Tilting XL TV Mount 60" to 102"</p>
--

Universal Tilting XL TV Mount -60" to 102" is a trademark of SIIG, Inc. SIIG and the SIIG logo are registered trademarks of SIIG, Inc. All other names used in this publication are for identification only and may be trademarks of their respective owners.