



CyberX Industrial Serial Media Converter

Quick Installation Guide

Introduction

The *CyberX Industrial Serial Media Converter* series products provide easy serial port conversion. **ID-SC0M11-S1/ID-SC0N11-S1** provides media conversion for RS-232, 422 and 485 interfaces. **ID-SC0L11-S1** repeater boosts the RS-422/485 signals to extend the transmission distance up to 4000ft, and increase the maximum number of connected nodes up to 128. The **ID-SC0J11-S1/ID-SC0K11-S1** converter connects to an available USB port and provides one RS-232/422/485 serial port without jumper setting.

Features and Benefits

- Supports auto switching baud rate from 300 to 115200 bps
- Wide operating temperature from -10 C to 70 C
- Provide 3000VDC isolation protection
- Transmission distance up to 4000ft (1200m) for RS-422/485 interface
- Automatic internal RS-422/485 bus supervision
- RS-232/422 support RTS/CTS handshake signals (U model only)
- USB bus power or 9~30VDC power inputs in 10-pin terminal block

System Requirements

- Windows® 8 (32-/64-bit) / 7 (32-/64-bit) / Vista (32-/64-bit) / XP (32-/64-bit) / Server 2003 & 2008 (32-/64-bit) / Server 2008 R2 / 2000

Package Contents

- *CyberX Industrial Serial Media Converter*
- USB cable (ID-SC0J11-S1 & ID-SC0K11-S1 only)
- DIN-Rail / Wall mount kit
- 10-Pin Terminal block
- Driver CD (ID-SC0J11-S1 & ID-SC0K11-S1 only)
- Quick installation guide

Layout

RS232 to RS -422/485 (isolated) serial converter:

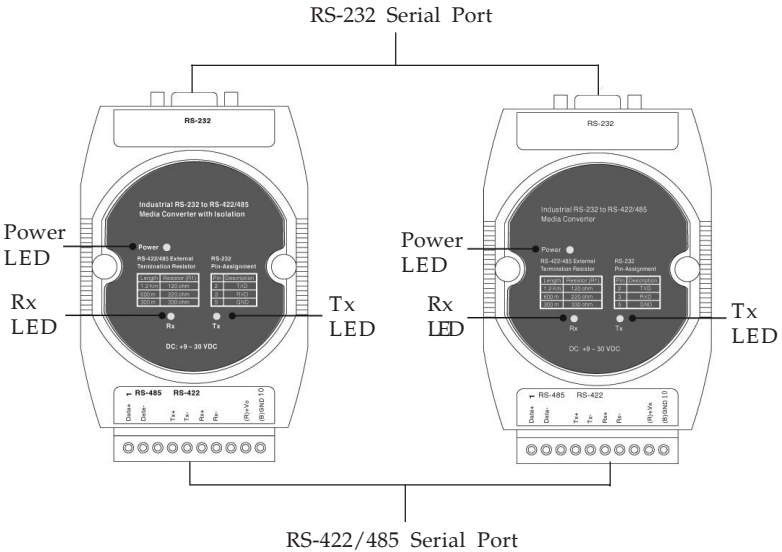


Figure 1: ID-SC0M11-S1/ ID-SC0N11-S1

USB to Serial Isolated Converter:

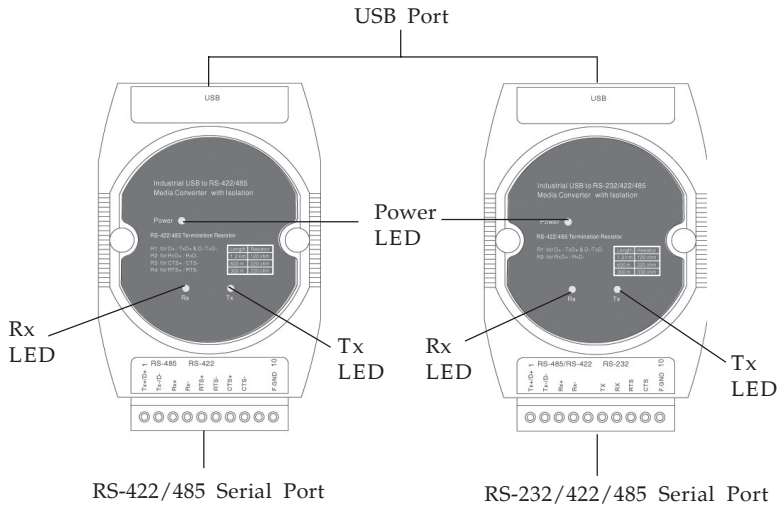


Figure 2: ID-SC0J11-S1 (left) & ID-SC0K11-S1 (right)

RS-422/485 Isolated Repeater

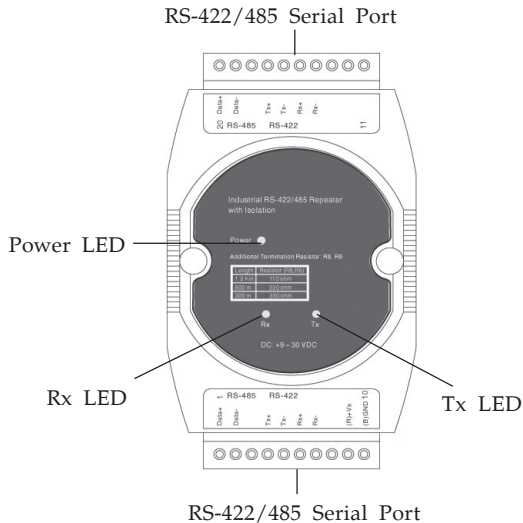


Figure 3: ID-SC0L11-S1

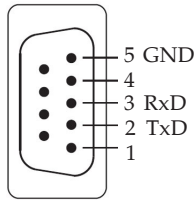
LED Indicator

Power LED	Green light: power on
Tx LED	Green light: transmitting data
Rx LED	Red light: receiving data

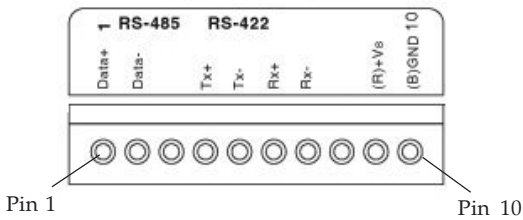
Pin Assignment

- ID-SC0N11-S1/ ID-SC0M11-S1 Pin Assignment

Serial Port DB9 Female



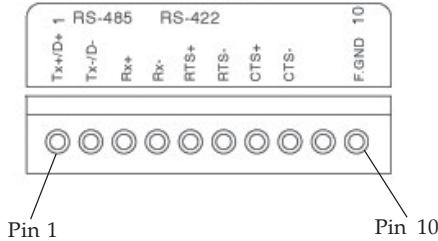
10-pin Terminal Block Pin Assignment



RS-422/485 Block Pin Assignment										
Interface	Reserved		Reserved	RS-422/485				Reserved	Power Input	
Pin No.	1	2	3	4	5	6	7	8	9	10
Info	N.C.		N.C.	TX+	TX-	RX+	R-X-	N.C.	V+	GND

- ID-SC0J11-S1 Pin Assignment

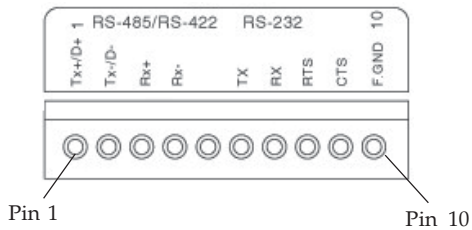
10-pin Terminal Block Pin Assignment



RS-422/485 Block Pin Assignment										
Interface	RS-422/485		RS-422					Reserved		
Pin No.	1	2	3	4	5	6	7	8	9	10
Info	TX+ /D+	TX- /D-	RS+	RX-	RTS+	RTS-	CTS+	CTS-	N.C.	GND

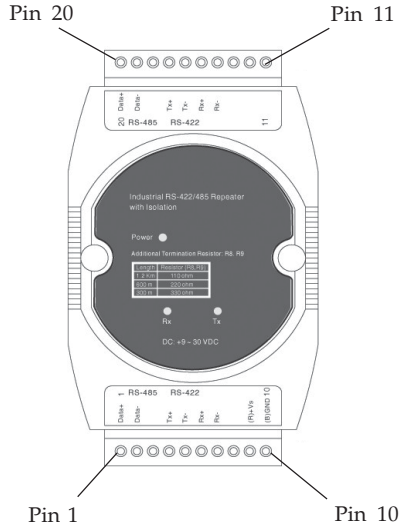
- ID-SD0K11-S1 Pin Assignment

10-pin Terminal Block Pin Assignment



RS-232/422/485 Block Pin Assignment										
Interface	RS-422/485		RS-422		Reserved	RS-232				
Pin No.	1	2	3	4	5	6	7	8	9	10
Info	TX+ /D+	TX- /D-	RS+	RX-	N.C.	TX	RX	RTS	CTS	GND

- ID-SC0L11-S1 Pin Assignment



Output RS-422/485 Terminal Block Pin Assignment										
Interface	RS-485		Reserved	RS-422				Reserved		
Pin No.	1	2	3	4	5	6	7	8	9	10
Info	Data+	Data-	N.C.	TX+	TX-	RX+	RX-	N.C.	V+	GND
Input RS-422/485 Terminal Block Pin Assignment										
Interface	RS-485		Reserved	RS-422				Reserved		
Pin No.	20	19	18	17	16	15	14	13	12	11
Info	Data+	Data-	N.C.	TX+	TX-	RX+	RX-	N.C.		

Hardware Installation

DIN-RAIL / Wall Mount Kit

The *CyberX Industrial Serial Media Converter's* DIN-RAIL / Wall Mount Kit adds DIN-RAIL or wall mount capabilities.

1. Place the DIN-Rail/Wall Mount Kit onto the *CyberX Industrial Serial Media Converter*, it is keyed to ensure proper alignment, see **Figure 4**.

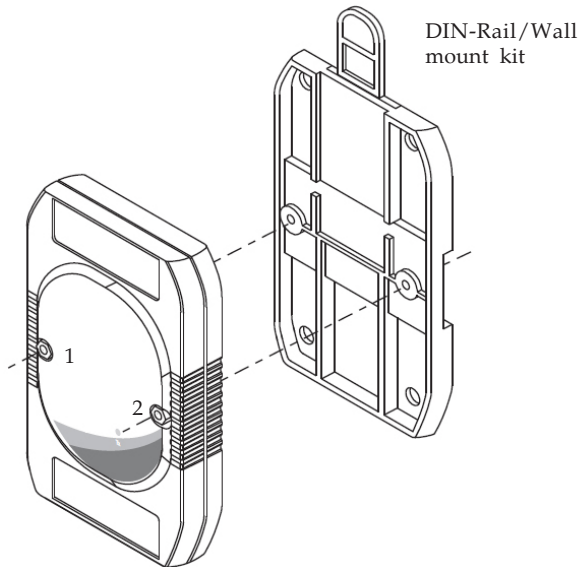


Figure 4

2. Turn screws 1 & 2 in a clockwise direction to secure the DIN-Rail/Wall Mount Kit to the converter, see **Figure 4**. Do not overtighten the screws to avoid damage to the converter and/or wall mount kit.
3. You can now hang the converter on a wall hook or mount it to your DIN-RAIL mount.

Driver Installation

For ID-SC0J11-S1/ID-SC0K11-S1, please follow the following steps to complete the driver installation. For others, skip this section because no driver installation is needed.

Windows 8 (32-/64-bit) / 7 (32-/64-bit)

1. Insert the driver CD. Close CD the AutoPlay box if prompted.
2. Click Windows key and R, type **D:\setup.exe**, then press **Enter**. (Change D: to match your CD-ROM drive letter)
3. Click **Yes**.
4. Click **Next**, then click **Finish**.
5. Connect the *CyberX industrial serial media converter* to the PC, and the driver will install automatically.
6. Restart Windows to complete the installation.

Windows Vista (32-/64-bit)

1. Insert the driver CD. Close the CD autoplay window if prompted.
2. Click **Start**, in the **Start Search** box, type **D:\setup.exe**, then press **Enter**. (Change **D:** to match your CD-ROM drive letter)
2. Click **Allow**.
3. Click **Next**, then click **Finish**.
4. Connect the *CyberX industrial serial media converter* to the PC, and the driver will install automatically.
5. Restart Windows to complete the installation.

Windows Server 2008 (32-/64-bit) / 2008 R2

1. Insert the driver CD. Close the CD autoplay window if prompted.
2. Click **Start**, type **D:\setup.exe** in the **Start Search** box, then press **Enter**. (Change **D:** to match your CD-ROM drive letter)
3. Click **Next**, then click **Finish**.
4. Connect the *CyberX industrial serial media converter* to the PC, and the driver will install automatically.
5. Restart Windows to complete the installation.

Windows XP (32-/ 64-bit) / Server 2003 (32-/ 64-bit) / 2000

1. Insert the driver CD.
2. Click **Start**, **Run**, type **D:\setup.exe**, then click **OK**. (Change **D:** to match your CD-ROM drive letter).
3. Click **Next**, then **Finish**.
4. Connect the *CyberX industrial serial media converter* to the PC, and the driver will install automatically.
5. Restart Windows to complete the installation.

To Verify Windows Installation

1. Check **Device Manager** to verify installation.
For Windows 8 / 7 / XP / Server 2003 & 2008 R2 / 2000: Right click **Computer** or **My Computer**, click **Manage**, click **Device Manager**.
For Windows Vista: Right click **Computer**, click **Manage**, click **Continue**, click **Device Manager**.
For Server 2008: Right click **Computer**, click **Manage**, double click **Diagnostics**, click **Device Manager**.
2. Double click **Ports (COM & LPT)**, a **Prolific USB-to-Serial Comm Port...** should be displayed.

Blank Page

Technical Support and Warranty

QUESTIONS? SIIG's **Online Support** has answers! Simply visit our web site at www.siig.com and click **Support**. Our online support database is updated daily with new drivers and solutions. Answers to your questions could be just a few clicks away. You can also submit questions online and a technical support analysts will promptly respond.

SIIG offers a 5-year manufacturer warranty with this product. This warranty covers the original purchaser and guarantees the product to be free of any defects in materials or workmanship for 5 years from the date of purchase of the product.

SIIG will, at our discretion, repair or replace (with an identical product or product having similar features and functionality) the product if defective in materials or workmanship. This warranty gives you specific legal rights, and you may also have other rights which vary from state to state. Please see our web site for more warranty details.

If you encounter any problems with this product, please follow the procedures below.

A) If it is within the store's return policy period, please return the product to the store where you purchased it.

B) If your purchase has passed the store's return policy period, please follow these steps to have the product repaired or replaced.

Step 1: Submit your RMA request. Go to www.siig.com, click **Support**, then **Request A Product Replacement** to submit a request to [SIIG RMA](#) or fax a request to 510-657-5962. Your RMA request will be processed, if the product is determined to be defective, an RMA number will be issued.

Step 2: After obtaining an RMA number, ship the product.

- Properly pack the product for shipping. All software, cable(s) and any other accessories that came with the original package must be included.
- Clearly write your RMA number on the top of the returned package. SIIG will refuse to accept any shipping package, and will not be responsible for a product returned without an RMA number posted on the outside of the shipping carton.
- You are responsible for the cost of shipping to SIIG. Ship the product to the following address:

SIIG, Inc.

6078 Stewart Avenue

Fremont, CA 94538-3152, USA

RMA #: _____

- SIIG will ship the repaired or replaced product via Ground in the U.S. and International Economy outside of the U.S. at no cost to the customer.

About SIIG, Inc.

Founded in 1985, SIIG, Inc. is a leading manufacturer of IT connectivity solutions (including Serial ATA and Ultra ATA Controllers, FireWire, USB, and legacy I/O adapters) that bridge the connection between Desktop/ Notebook systems and external peripherals. SIIG continues to grow by adding A/V and Digital Signage connectivity solutions to our extensive portfolio. All centered around the distribution and switching of A/V signals over CAT5/6, these products include matrix switches, distribution amplifiers, extenders, converters, splitters, cabling, and more.

SIIG is the premier one-stop source of upgrades and is committed to providing high quality products while keeping economical and competitive prices. High-quality control standards are evident by one of the lowest defective return rates in the industry. Our products offer comprehensive user manuals, user-friendly features, and most products are backed by a lifetime warranty.

SIIG products can be found in many computer retail stores, mail order catalogs, and e-commerce sites in the Americas, as well as through major distributors, system integrators, and VARs.

PRODUCT NAME

CyberX Industrial Serial Media Converter

FCC RULES: TESTED TO COMPLY WITH FCC PART 15, CLASS B OPERATING ENVIRONMENT: FOR HOME OR OFFICE USE

FCC COMPLIANCE STATEMENT:

This device complies with part 15 of the FCC Rules. Operation is subject to the following two conditions: (1) This device may not cause harmful interference, and (2) this device must accept any interference received, including interference that may cause undesired operation.

THE PARTY RESPONSIBLE FOR PRODUCT COMPLIANCE

SIIG, Inc.
6078 Stewart Avenue
Fremont, CA 94538-3152, USA
Phone: 510-657-8688

CyberX Industrial Serial Media Converter is a trademark of SIIG, Inc. SIIG and the SIIG logo are registered trademarks of SIIG, Inc. Microsoft and Windows are registered trademarks of Microsoft Corporation. All other names used in this publication are for identification only and may be trademarks of their respective owners.