



3G-SDI to VGA Converter Quick Installation Guide

Introduction

The *3G-SDI to VGA Converter* allows you to broadcast 3G-SDI signals from one source to two 3G-SDI & one VGA outputs.

Key Features and Benefits

- Replicates and distributes content from 1 3G-SDI source to 2 3G-SDI and 1 VGA outputs
- Operates at 270Mb/s, 1.485Gb/s and 2.97Gb/s data rates
- Auto 3G/HD/SD-SDI detection
- Supports HD formats:
 - 720p50 & 60
 - 1080i50 & 60
 - 1080p24, 25, 30, 50 & 60
- Supports 525i & 625i SD formats
- Metal housing and wall-mountable

Package Contents

- 3G-SDI to VGA Converter
- Power adapter
- Quick installation guide

Layout

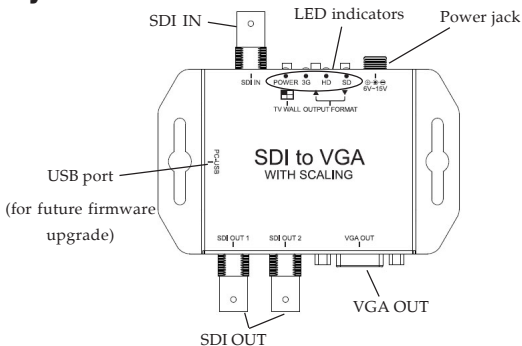
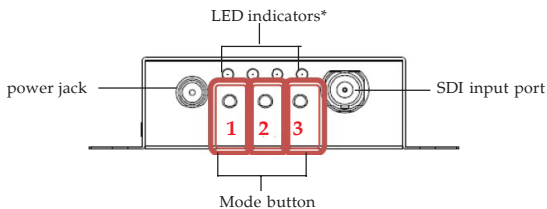


Figure 1



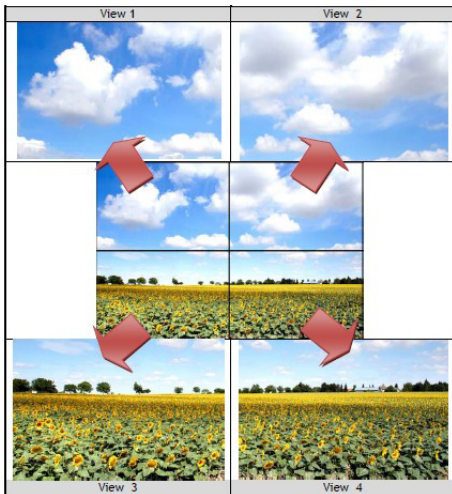
*LEDs from left to right: SD, HD, 3G, Power

Figure 2

Mode Buttons

Use the mode buttons to do the following settings:

1. Default settings: Press all the three buttons simultaneously to return to the default settings.
2. Switch mode: Press button 1 or 2 to change the output resolution format.
3. Zoom mode: Press button 3 to zoom in and magnify a specific area.



LED Indicators

Different LED status indicates different input/output resolution format. Please refer to Table 1 and Table 2 for details.

SD LED	When the display follows NTSC/PAL Standard, SD LED is green.
HD LED	When the display operates at 720P/1080, HD LED is green.
3G LED	When the display operates at 1080, 3G LED is green.
Power LED	Green light: power on and signal is detected. Red light: power on but without signal. No light: power off.

Table 1

	SD LED	HD LED	3G LED	Power LED
640x480				o
800x600			o	
1024x768			o	o
1280x720		o		
1366x768		o		
1400x1050		o	o	
1440x900		o	o	o
1600x1200	o			
1680x1050	o			o
1920x1080	o		o	

o : LED on

Table 2

Hardware Installation

1. Power off all devices you plan to connect to this converter.
2. Disconnect the DC power from the SDI converter.
3. Connect your SDI source to the converter's **SDI IN** connector using an SDI cable (cable not included).
4. Connect your display(s) to the converter's SDI OUT or VGA OUT connectors using an SDI or VGA cable respectively (cable(s) not included).
5. Connect the converter's power adapter.
6. Turn on the display(s), then the SDI source.
7. The *3G-SDI to VGA Converter* is now ready to use.

Blank Page

Technical Support and Warranty

QUESTIONS? SIIG's **Online Support** has answers! Simply visit our web site at www.siig.com and click **Support**. Our online support database is updated daily with new drivers and solutions. Answers to your questions could be just a few clicks away. You can also submit questions online and a technical support analyst will promptly respond.

SIIG offers a 3-year manufacturer warranty with this product. This warranty covers the original purchaser and guarantees the product to be free of any defects in materials or workmanship for three (3) years from the date of purchase of the product.

SIIG will, at our discretion, repair or replace (with an identical product or product having similar features and functionality) the product if defective in materials or workmanship. This warranty gives you specific legal rights, and you may also have other rights which vary from state to state. Please see our web site for more warranty details.

If you encounter any problems with this product, please follow the procedures below.

A) If it is within the store's return policy period, please return the product to the store where you purchased from.

B) If your purchase has passed the store's return policy period, please follow the steps below to have the product repaired or replaced.

Step 1: Submit your RMA request.

Go to www.siig.com, click **Support**, then **REQUEST A PRODUCT REPLACEMENT** to submit a request to [SIIG RMA](#) or fax a request to 510-657-5962. Your RMA request will be processed, if the product is determined to be defective, an RMA number will be issued.

Step 2: After obtaining an RMA number, ship the product.

- Properly pack the product for shipping. All accessories that came with the original package must be included.
- Clearly write your RMA number on the top of the returned package. SIIG will refuse to accept any shipping package, and will not be responsible for a product returned without an RMA number posted on the outside of the shipping carton.
- You are responsible for the cost of shipping to SIIG. Ship the product to the following address:

SIIG, Inc.

6078 Stewart Avenue

Fremont, CA 94538-3152, USA

RMA #: _____

- SIIG will ship the repaired or replaced product via Ground in the U.S. and International Economy outside of the U.S. at no cost to the customer.

About SIIG, Inc.

Founded in 1985, SIIG, Inc. is a leading manufacturer of IT connectivity solutions (including Serial ATA and Ultra ATA Controllers, FireWire, USB, and legacy I/O adapters) that bridge the connection between Desktop/Notebook systems and external peripherals. SIIG continues to grow by adding A/V and Digital Signage connectivity solutions to our extensive portfolio.

SIIG products offer comprehensive user manuals, many user-friendly features, and are backed by an extensive manufacturer warranty. High quality control standards are evident by the overall ease of installation and compatibility of our products, as well as one of the lowest defective return rates in the industry. SIIG products can be found in computer retail stores, mail order catalogs, through major distributors, system integrators, and VARs in the Americas and the UK, and through e-commerce sites.

PRODUCT NAME

3G-SDI to VGA Converter

**FCC RULES: TESTED TO COMPLY WITH FCC PART 15, CLASS B
OPERATING ENVIRONMENT: FOR HOME OR OFFICE USE**

FCC COMPLIANCE STATEMENT:

This device complies with part 15 of the FCC Rules. Operation is subject to the following two conditions: (1) This device may not cause harmful interference, and (2) this device must accept any interference received, including interference that may cause undesired operation.

THE PARTY RESPONSIBLE FOR PRODUCT COMPLIANCE

SIIG, Inc.

6078 Stewart Avenue

Fremont, CA 94538-3152, USA

Phone: 510-657-8688

3G-SDI to VGA Converter is a trademark of SIIG, Inc. SIIG and the SIIG logo are registered trademarks of SIIG, Inc. All other names used in this publication are for identification only and may be trademarks of their respective owners.