



CyberSerial Dual PCI Quick Installation Guide

Introduction

The *CyberSerial Dual PCI* high-speed serial card provides two RS232 9-pin serial ports.

Key Features and Benefits

- Universal PCI card design that works in 32-/64-bit 3.3V/5V PCI and PCI-X slots
- Provides 2 RS-232 serial ports
- Each serial port can be independently configured with 5V or 12V power output

System Requirements

- Pentium or equivalent computer with an available PCI slot
- Windows® 8 (32-/64-bit) / 7 (32-/64-bit) / Vista (32-/64-bit) / XP (32-/64-bit) / Server 2003 & 2008 (32-/64-bit) / Server 2008 R2 / 2000 / ME / 98SE / 98 / 95

Package Contents

- *CyberSerial Dual PCI* board
- 2x Jumpers
- Driver CD
- Quick installation guide

Layout

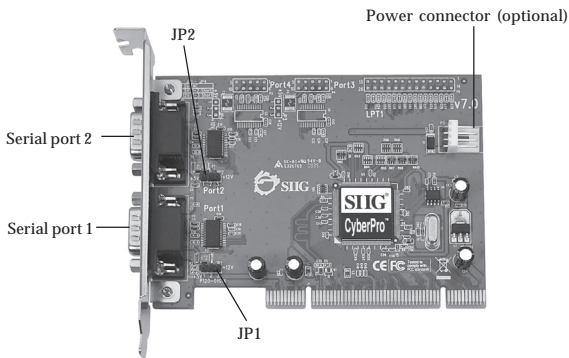


Figure 1: Board Layout

Jumper Settings (JP1, JP2)

Open = 0 volts (default)

Short 1-2 = 5V

Short 2-3 = 12V

Power Connector (optional)

Connects to the system's power supply. This connection is required when the serial port(s) are configured for 5V or 12V power.

Note: Most serial devices do not require additional power through the serial port. Refer to your serial device's manual for more information.

Hardware Installation

General instructions for installing the card are provided below. Since the design of computer cases and motherboards vary, refer to your computer's reference manual for further information, if needed.

Static Electricity Discharge may permanently damage your system. Discharge any static electricity build up in your body by touching your computer's case for a few seconds. Avoid any contact with internal parts and handle cards only by their external edges.

1. Turn OFF the power to your computer and any other connected peripheral devices.

2. Unplug the power cord from the computer.
3. Remove the computer cover.
4. Remove the slot bracket from an available PCI slot.
5. To install the card, carefully align the card's bus connector with the selected PCI slot on the motherboard. Push the board down firmly, but gently, until it is well seated.
6. Replace the slot bracket holding screw to secure the card.
7. Replace the computer cover and reconnect the power cord.

Driver Installation

Please make sure the board is installed before proceeding with driver installation.

Windows 8 (32-/64-bit) / 7 (32-/64-bit)

1. Install the board and boot up Windows.
2. Right click **Computer**, click **Manage**, click **Device Manager**.
3. Insert the driver CD. Right click **PCI Device**, click **Update Driver Software**.

4. Click **Browse my computer for driver software**.
5. Type **D:**, then click **Next**. (Change **D:** to match your CD/DVD-ROM drive letter)
6. At **Windows has successfully updated your driver software**, click **Close**.
7. Right click **PCI Serial Port**, click **Update Driver Software**.
8. Repeat steps **4-6**.

Note: Windows 7 with internet connection enabled, will search Microsoft Update's driver database and install the drivers to complete the installation. Otherwise, continue with steps 9-12.

9. Right click the first listed **CyberSerial Communication Port**, click **Update Driver Software**.
10. Repeat steps **4-6**.
11. Right click the remaining **CyberSerial Communication Port**, click **Update Driver Software**.
12. Repeat steps **4-6** to complete the installation.

Windows Vista (32-/64-bit)

1. Install the board and boot up Windows.
2. At the **Found New Hardware** window, click **Locate and install driver software (recommended)**, then click **Continue**.
3. Insert the driver CD.
4. Click **Don't search online**. (Skip this step if not prompted)
5. Click **I don't have the disc. Show me other options**.
6. Click **Browse my computer for driver software (advanced)**.
7. Type **D:**, then click **Next**. (Change **D:** to match your CD/DVD-ROM drive letter)
8. At **The software for this device has been successfully installed**, click **Close**.
9. Repeat steps **4-8** to complete the installation.

Windows XP (32-/64-bit) / Server 2003 (32-/64-bit)

1. Install the board and boot up Windows.
2. At the **Found New Hardware Wizard**, insert the driver CD.

3. Select **No, not this time**, click **Next**. (Skip this step if not prompted)
4. Select **Install the software automatically (Recommended)**, then click **Next**. (Skip this step if not prompted)
5. Click **Finish**. It may take several minutes for this step to appear. Do not interrupt the process during this time.
6. Repeat steps **3-5** two times to complete the installation.

Windows Server 2008 (32-/64-bit)

1. Install the board and boot up Windows.
2. At the **Found New Hardware Wizard**, click **Locate and install driver software (recommended)**.
3. Click **Continue**. (Skip this step if not prompted)
4. Insert the driver CD.
5. Click **Don't search online**. (Skip this step if not prompted)
6. Click **I don't have the disc. Show me other options**. (Skip this step if not prompted)

7. Click **Browse my computer for driver software (advanced)**. (Skip this step if not prompted)
8. Type **D:**, then click **Next**. (Change **D:** to match your CD/DVD-ROM drive letter)
9. At **The software for this device has been successfully installed**, click **Close**.
10. Repeat steps **5-9** to complete the installation.

Windows Server 2008 R2

1. Install the board and boot up Windows.
2. Right click **Computer**, click **Manage**, click **Device Manager**.
3. Insert the driver CD. Right click **PCI Device**, click **Update Driver Software**.
4. Click **Browse my computer for driver software**.
5. Type **D:**, then click **Next**. (Change **D:** to match your CD/DVD-ROM drive letter)
6. At **Windows has successfully updated your driver software**, click **Close**.
7. Right click **PCI Serial Port**, click **Update Driver Software**.

8. Repeat steps **4-6**.
9. Right click the first listed **CyberSerial Communication Port**, click **Update Driver Software**.
10. Repeat steps **4-6**.
11. Right click the remaining **CyberSerial Communication Port**, click **Update Driver Software**.
12. Repeat steps **4-6**.
13. The board is ready for use.

Windows 2000

1. At the **Found New Hardware Wizard**, click **Next**.
2. Insert the driver CD.
3. Select **Search for a suitable driver for my device (recommended)**, and click **Next**.
4. Select **CD-ROM drives**, uncheck the other boxes, and click **Next**.
5. Click **Next**, then click **Finish**.
6. Repeat steps **1-5** two times.
7. Restart Windows to complete installation.

To Verify Windows 8 / 7 / Vista / XP / Server 2003 & 2008 / 2008 R2 / 2000 Installation

1. Check in Device Manager to verify installation.

For Windows 8 / 7 / Server 2008 R2: Right click **Computer**, click **Manage**, then click **Device Manager**.

For Windows Vista: Right click **Computer**, click **Manage**, click **Continue**, then click **Device Manager**.

For XP / Server 2003 / 2000: Right click **My Computer**, click **Manage**, click **Device Manager**.

For Server 2008: Right click **Computer**, click **Manage**, double click **Diagnostics**, click **Device Manager**.

2. Click on the + (plus sign) in front of **Ports (COM & LPT), CyberSerial ... 16Cxxx ...** should be displayed.
3. Double click **Multifunction adapters, SIIG CyberPro 2S board** should be displayed.

Windows ME

1. At the **Add New Hardware Wizard**, choose **Specify the location of the driver (Advanced)**, click **Next**.
2. Check **Specify a location**, uncheck the other box, insert the driver CD, type in **D:\9x**, then click **Next**. (Change **D:** to match your CD-ROM drive letter)
3. Click **Next** and **Finish**.
4. Repeat steps **1-3**.
5. Restart Windows to complete the installation.

Windows 98SE / 98

1. At the **Add New Hardware Wizard**, click **Next**.
2. Select **Search for the best driver for your device (Recommended)**, then click **Next**.
3. Select **Specify a location**, uncheck the other boxes, insert the driver CD, type in **D:\9x**, then click **Next**. (Change **D:** to match your CD-ROM drive letter)
4. Click **Next**, then **Finish**.

5. Repeat steps **1-4**.
6. Restart Windows to complete the installation.

Windows 95

1. At the **Update Device Driver Wizard**, click **Next**.
2. Insert the driver CD, and click **Other Locations**. Type in **D:\9x**, click **OK**, then **Finish**. (Change **D:** to match your CD-ROM drive letter)
3. From the **Insert Disk** window, click **OK**. When the **Copying Files** dialog box appears, type in **D:\9x**, then click **OK**. (Change **D:** to match your CD-ROM drive letter)
4. Repeat steps **1-3**.
5. Restart to complete the installation.

To Verify Windows ME / 98SE / 98 / 95 Installation

1. From the main desktop, right click **My Computer**, click **Properties**, then click **Device Manager**.

2. Double click **Ports (COM & LPT), CyberSerial... 16Cxxx...** should be displayed.
3. Double click **Multi-function adapters, SIIG CyberPro 2S PCI board** should be displayed.

Changing COM Port Address

Some serial devices need a specific COM port in order to work. If your serial device works properly, do not change this setting.

Windows 8 / 7 / Vista / XP / Server 2003 & 2008 / 2008 R2 / 2000

1. From the **Device Manager** window double click **Ports (COM & LPT)**, then double click **CyberSerial...** port you want to change.
2. Click **Settings** tab and click **Advanced**.
3. Click the down arrow next to the **COM Port number** box, select a COM port that is not in use. Click **OK**.
4. Click **OK** again, then close **Device Manager** to save the changes.

Windows ME / 98SE / 98 / 95

1. From the **Device Manager** window double click **Ports (COM & LPT)**, then double click the **CyberSerial PCI** serial port you want to change.
2. Click **Settings** tab, click the down arrow next to **Port Name**, select a COM address not currently in use.
3. Click **OK**, then close **Device Manager** to save the changes.

Technical Support and Warranty

QUESTIONS? SIIG's **Online Support** has answers! Simply visit our web site at www.siig.com and click **Support**. Our online support database is updated daily with new drivers and solutions. Answers to your questions could be just a few clicks away. You can also submit questions online and a technical support analyst will promptly respond.

SIIG offers a lifetime manufacturer warranty with this product. This warranty covers the original purchaser and guarantees the product to be free of any defects in materials or workmanship for the life of the product.

SIIG will, at our discretion, repair or replace (with an identical product or product having similar features and functionality) the product if defective in materials or workmanship. This warranty gives you specific legal rights, and you may also have other rights which vary from state to state. Please see our web site for more warranty details.

If you encounter any problems with this product, please follow the procedures below.

A) If it is within the store's return policy period, please return the product to the store where you purchased from.

B) If your purchase has passed the store's return policy period, please follow the steps below to have the product repaired or replaced.

Step 1: Submit your RMA request.

Go to www.siig.com, click **Support**, then **REQUEST A PRODUCT REPLACEMENT** to submit a request to [SIIG RMA](#) or fax a request to 510-657-5962. Your RMA request will be processed, if the product is determined to be defective, an RMA number will be issued.

Step 2: After obtaining an RMA number, ship the product.

- Properly pack the product for shipping. All accessories that came with the original package must be included.
- Clearly write your RMA number on the top of the returned package. SIIG will refuse to accept any shipping package, and will not be responsible for a product returned without an RMA number posted on the outside of the shipping carton.
- You are responsible for the cost of shipping to SIIG. Ship the product to the following address:

SIIG, Inc.

6078 Stewart Avenue

Fremont, CA 94538-3152, USA

RMA #: _____

- SIIG will ship the repaired or replaced product via Ground in the U.S. and International Economy outside of the U.S. at no cost to the customer.

About SIIG, Inc.

Founded in 1985, SIIG, Inc. is a leading manufacturer of IT connectivity solutions (including Serial ATA and Ultra ATA Controllers, FireWire, USB, and legacy I/O adapters) that bridge the connection between Desktop/Notebook systems and external peripherals. SIIG continues to grow by adding A/V and Digital Signage connectivity solutions to our extensive portfolio.

SIIG products offer comprehensive user manuals, many user-friendly features, and are backed by an extensive manufacturer warranty. High quality control standards are evident by the overall ease of installation and compatibility of our products, as well as one of the lowest defective return rates in the industry. SIIG products can be found in computer retail stores, mail order catalogs, through major distributors, system integrators, and VARs in the Americas and the UK, and through e-commerce sites.

PRODUCT NAME

CyberSerial Dual PCI

FCC RULES: TESTED TO COMPLY WITH FCC PART 15, CLASS B
OPERATING ENVIRONMENT: FOR HOME OR OFFICE USE

FCC COMPLIANCE STATEMENT:

This device complies with part 15 of the FCC Rules. Operation is subject to the following two conditions: (1) This device may not cause harmful interference, and (2) this device must accept any interference received, including interference that may cause undesired operation.

THE PARTY RESPONSIBLE FOR PRODUCT COMPLIANCE

SIIG, Inc.

6078 Stewart Avenue

Fremont, CA 94538-3152, USA

Phone: 510-657-8688

CyberSerial Dual PCI is a trademark of SIIG, Inc. SIIG and the SIIG logo are registered trademarks of SIIG, Inc. Microsoft and Windows are registered trademarks of Microsoft Corporation. All other names used in this publication are for identification only and may be trademarks of their respective owners.