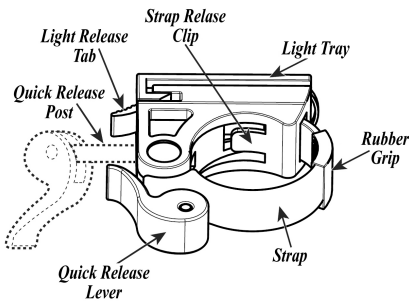
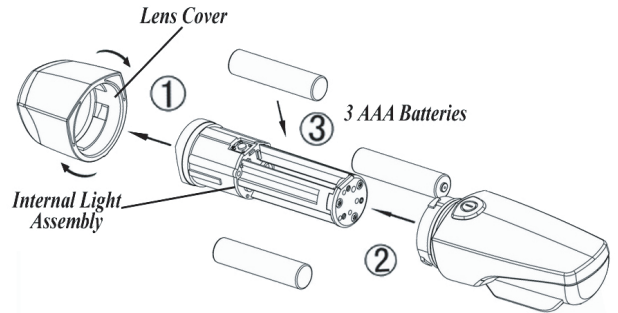


Ilumina 1W - Bright 1 Watt LED Bicycle Headlight

Instruction Manual

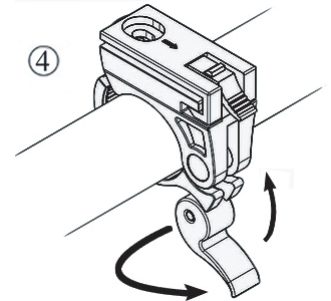
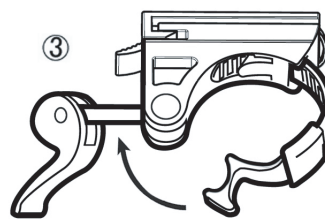
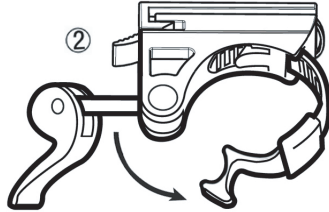
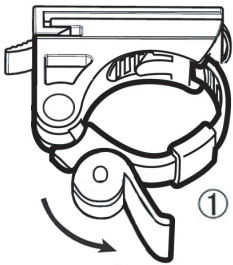
Install Batteries:

1. Rotate lens cover (clockwise) and remove - **See Step 1**
2. Slide out internal light assembly - **See Step 2**
3. Install 3 AAA batteries (included) - **See Step 3**
4. Reassemble



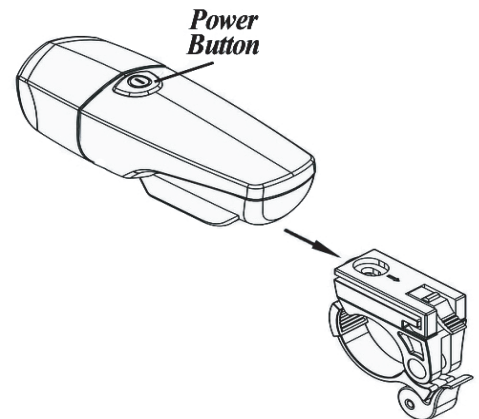
Install Handlebar Mount:

1. Select a location to mount the Ilumina 1W on the handlebar that does not interfere with the safe operation of the bicycle
2. To adjust Strap length, use a screwdriver or other flat object to lift Strap Release Clip.
 - a. For 31.8mm handlebars, start with strap fully extended
 - b. For 26.0 to 26.2mm, insert the strap 2 clicks & then fine-tune as necessary
 - c. For 25.4mm bars, insert the strap 3 clicks (use included rubber spacer if needed)
3. Open the Quick Release Lever & partially unscrew the Quick Release Post (careful not to unscrew completely) - **See Step 1**
4. Pull the Strap away from Quick Release Post - **See Step 2**
5. Wrap the Strap around the handle bar & reinsert the Strap into the Quick Release Post - **See Step 3**
6. Tighten the Quick Release Post (turning clockwise) & then close the Quick Release Lever - **See Step 4**



Installation & Removal of Light:

1. Slide the Ilumina 1W onto the mount from the front until it clicks & is locked in place
2. Adjust the beam to the proper angle
3. To remove the light, slide it forward while pressing the release tab



Operation:

1. Press the power button one time for steady mode
2. Press the power button two times for flash mode
3. Press the power button three times for strobe mode
4. Press the power button four times to turn off

Limited One Year Warranty

This warranty covers the original purchaser & guarantees the product to be free of any defects in materials or workmanship for one (1) year from the date of purchase of the product. SIIG will repair or replace (with an identical product or product having similar features & functionality) the product if defective in materials or workmanship.

Please go to the Support section at www.siig.com & select the "Request RMA" link to submit an RMA request or fax a request to 510 657-5962.

SIIG, Inc. is located at 6078 Stewart Ave., Fremont, CA 94538-3152 USA. You do not have to complete any registration with SIIG to obtain warranty service. The customer is responsible for shipping costs to SIIG Inc., but SIIG Inc will pay the return postage.

This warranty gives you specific legal rights, and you may also have other rights which vary from state to state.

Serial Number