



# USB 3.0 Aluminum Hub

## Installation Guide

### **Introduction**

---

The *USB 3.0 Aluminum Hub* quickly adds more USB ports to your PC system and expands data transfer rate up to 5Gb/s.

### **Key Features and Benefits**

- Add more SuperSpeed USB 3.0 ports for your system
- Supports ultra-fast data transfer rates up to 5Gb/s (10 times faster than USB 2.0) and is backward compatible with USB 2.0 and USB 1.1 devices
- Compliant with Universal Serial Bus 3.0 Specification
- Built-in over-current protection
- Equipped with on/off power switch and dedicated LED indicator for each port
- Included power adapter to provide sufficient power output for all ports

## System Requirements

- Desktop or laptop computer with an available USB port (USB 3.0 recommended)
- Windows® 8 (32-/64-bit) / 7 (32-/64-bit) / Vista (32-/64-bit) / XP (32-/64-bit) / Server 2003 & 2008 (32-/64-bit) / Server 2008 R2

## Package Contents

- *USB 3.0 Aluminum Hub*
- USB 3.0 cable (Type-A to Type-B)
- Power adapter (12V/4A for JU-H70511-S1; 12V/5A for JU-H00111-S1)
- Installation guide

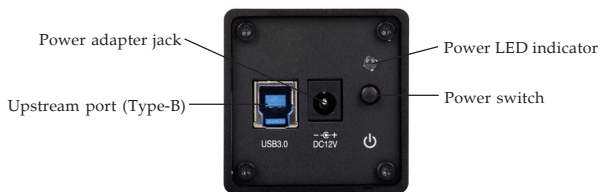
## Layout



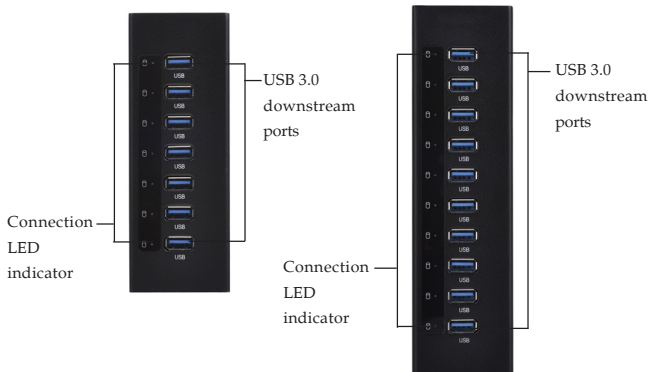
Figure 1: JU-H70511-S1



Figure 2: JU-H00111-S1



**Figure 3: JU-H70511-S1 & JU-H00111-S1 (side)**



**Figure 4: JU-H70511-S1 (Top)**

**Figure 5: JU-H00111-S1 (Top)**

- **USB 3.0 downstream ports:** connect your USB 3.0 devices here
- **Upstream Port (Type-B):** connect to an available USB 3.0 port of the computer using the included USB 3.0 cable
- **Power adapter jack:** connect the included power adapter here
- **Power switch:** To turn ON/OFF the hub

## LED Indicators

- **Connection LED indicator:** Blue light LED to indicates your USB device is connected
- **Power LED indicator:** Blue light LED when the hub is powered on. LED off when the hub is powered off

## USB 3.0 Cable Connectors



Figure 6: Type-A connector (right) & Type-B connector (right)

## Installation

---

1. Connect the **Type-B connector** of the included *USB 3.0 cable* to the **Upstream port (Type-B)** of the hub.
2. Connect the *Power adapter* into the **Power adapter jack** of the hub, then plug the power adapter into a reliable power source.
3. Plug the **Type-A connector** of the included *USB 3.0 cable* into an available USB port (USB 3.0 recommended) of the computer, and the driver will install automatically.
4. Press the **Power switch** to turn on.
5. The hub is ready for use.

**NOTE:** This hub only works at USB 3.0 speed when connected to a USB 3.0 host adapter.

## To Verify Successful Installation

1. Check in Device Manager.  
*For Windows 8 / Windows 7 / XP / Server 2008 R2 & 2003:* Right click **Computer** or **My Computer**, click **Manage**, click **Device Manager**.

For Windows Vista: Right click **Computer**, click **Manage**, **Continue**, and **Device Manager**.

For Server 2008: Right click **Computer**, click **Manage**, double click **Diagnostics**, and click **Device Manager**.

2. Double click **Universal Serial Bus controllers**.

For Windows 8:

*When connected to a USB 3.0 host adapter:*  
**Generic SuperSpeed USB Hub** should be listed.

*When connected to a USB 2.0 host adapter:*  
**Generic USB Hub** should be listed twice.

For Windows 7 / Server 2008 R2 / Vista / XP / Server 2008 & 2003:

*When connected to a USB 3.0 host adapter:*  
Item Name may vary according to the USB host port that you plugged in.

*When connected to a USB 2.0 host adapter:*  
**Generic USB Hub** should be listed twice.

# Technical Support and Warranty

---

**QUESTIONS?** SIIG's **Online Support** has answers! Simply visit our web site at [www.siig.com](http://www.siig.com) and click **Support**. Our online support database is updated daily with new drivers and solutions. Answers to your questions could be just a few clicks away. You can also submit questions online and a technical support analyst will promptly respond.

SIIG offers a 5-year manufacturer warranty with this product. This warranty covers the original purchaser and guarantees the product to be free of any defects in materials or workmanship for five (5) years from the date of purchase of the product.

SIIG will, at our discretion, repair or replace (with an identical product or product having similar features and functionality) the product if defective in materials or workmanship. This warranty gives you specific legal rights, and you may also have other rights which vary from state to state. Please see our web site for more warranty details.

If you encounter any problems with this product, please follow the procedures below.

- A) If it is within the store's return policy period, please return the product to the store where you purchased from.
- B) If your purchase has passed the store's return policy period, please follow the steps below to have the product repaired or replaced.

**Step 1:** Submit your RMA request.

Go to [www.siig.com](http://www.siig.com), click **Support**, then **REQUEST A PRODUCT REPLACEMENT** to submit a request to [SIIG RMA](#) or fax a request to 510-657-5962. Your RMA request will be processed, if the product is determined to be defective, an RMA number will be issued.

**Step 2:** After obtaining an RMA number, ship the product.

- Properly pack the product for shipping. All accessories that came with the original package must be included.
- Clearly write your RMA number on the top of the returned package. SIIG will refuse to accept any shipping package, and will not be responsible for a product returned without an RMA number posted on the outside of the shipping carton.
- You are responsible for the cost of shipping to SIIG. Ship the product to the following address:

**SIIG, Inc.**

**6078 Stewart Avenue**

**Fremont, CA 94538-3152, USA**

**RMA #:** \_\_\_\_\_

- SIIG will ship the repaired or replaced product via Ground in the U.S. and International Economy outside of the U.S. at no cost to the customer.

# About SIIG, Inc.

---

Founded in 1985, SIIG, Inc. is a leading manufacturer of IT connectivity solutions (including Serial ATA and Ultra ATA Controllers, FireWire, USB, and legacy I/O adapters) that bridge the connection between Desktop/ Notebook systems and external peripherals. SIIG continues to grow by adding A/V and Digital Signage connectivity solutions to our extensive portfolio. SIIG products offer comprehensive user manuals, many user-friendly features, and are backed by an extensive manufacturer warranty. High quality control standards are evident by the overall ease of installation and compatibility of our products, as well as one of the lowest defective return rates in the industry. SIIG products can be found in computer retail stores, mail order catalogs, through major distributors, system integrators, and VARs in the Americas and the UK, and through e-commerce sites.

## **PRODUCT NAME**

USB 3.0 Aluminum Hub

FCC RULES: TESTED TO COMPLY WITH FCC PART 15, CLASS B

OPERATING ENVIRONMENT: FOR HOME OR OFFICE USE

## **FCC COMPLIANCE STATEMENT:**

This device complies with part 15 of the FCC Rules. Operation is subject to the following two conditions: (1) This device may not cause harmful interference, and (2) this device must accept any interference received, including interference that may cause undesired operation.

## **THE PARTY RESPONSIBLE FOR PRODUCT COMPLIANCE**

SIIG, Inc.

6078 Stewart Avenue

Fremont, CA 94538-3152, USA

Phone: 510-657-8688

USB 3.0 Aluminum Hub is a trademark of SIIG, Inc. SIIG and the SIIG logo are registered trademarks of SIIG, Inc. All other names used in this publication are for identification only and may be trademarks of their respective owners.

January, 2014

Copyright © 2014 by SIIG, Inc. All rights reserved.