



HDMI Over Gigabit IP Extender Kit with IR Installation Guide

Introduction

The *HDMI Over Gigabit IP Extender Kit with IR* extends HDMI signal over one Cat5/6 cable up to 330ft.

Features and Benefits

- Extend HDMI signals up to 100m over Cat5e/6 cabling
- Supports video high resolution Full HD 1080p, 1920 x 1080
- IR (Infrared Remote) pass-through enabled
- High Definition Audio (HD) Surround Sound
- Metal housing with mounting mechanism

Package Contents

CE-H22811-S1

Transmitter unit (Tx)	Receiver/Repeater unit (Rx)	Power adapter 5V/2A (2)
IR extension cable (2)	Installation guide	

CE-H22911-S1

Receiver/Repeater unit (Rx)	Power adapter 5V/2A	IR extension cable
A black rectangular device with a power jack on the left and an Ethernet port on the right.	A black power adapter with a DC 5V/2A output and a standard AC power cord.	A black cable with an IR LED at one end and a standard cable connector at the other.
Installation guide		
A document titled 'HDMI-Over-Ethernet Kit Installation Guide' with various icons and text.		

Layout

Transmitter Unit (Tx)

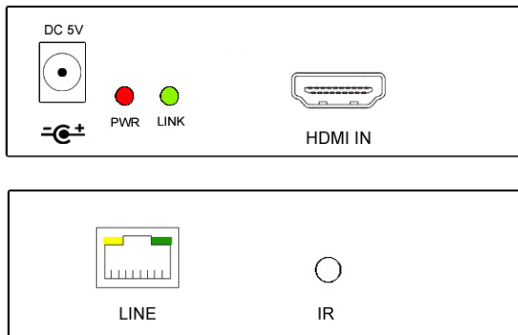


Figure 1: Transmitter side panel

- **DC 5V:** DC 5V power jack. Plug the included power adapter here
- **PWR:** LED indicator for power status. On/Off when the *Transmitter* is powered on/off
- **LINK:** LED indicator for link status. On when the connection between the *Transmitter* and *Receiver* is established

- **HDMI IN:** HDMI signal input port. Connect this port to your HDMI source device by using an HDMI cable (not included)
- **LINE:** Signal output port, connected with *Receiver's* LINE port by using a CAT X cable (not included)
- **IR:** Connect to the included IR blaster cable

Receiver/Repeater Unit (Rx)

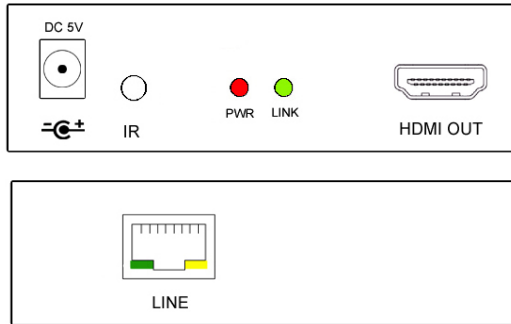


Figure 2: Receiver/Repeater side panel

- **DC 5V:** DC 5V power jack. Plug the included power adapter here
- **IR:** Connect to the included IR receiver cable
- **PWR:** LED indicator for power status. On/Off when the *Receiver/Repeater* is powered on/off
- **LINK:** LED indicator for link status. On when the connection between *Transmitter* and *Receiver* is established
- **HDMI OUT:** HDMI signal output port. Connect this port to the remote HDMI display by using an HDMI cable (not included)
- **LINE:** Signal input port, connected with *Transmitter's* LINE port by using a CAT X cable (not included)

IR Extension Cables



Figure 3a: IR blaster cable



Figure 3b: IR receiver cable

To control the source device from *Receiver's* end:

1. Plug the IR blaster cable to the *Transmitter's* **IR** connector, then plug the IR receiver cable to the *Receiver's* **IR** connector.
2. Point your source device's remote control to the IR receiver's eye, the command will be sent to *Transmitter* end, and the connected source device will enforce the command accordingly.

Hardware Installation

1. Power off all devices, including the source device and display.
2. Connect your HDMI source (such as a PC or NB) to the *Transmitter's* **HDMI IN** connector by using an HDMI cable.
3. Connect remote HDMI display (such as a LCD TV) to the *Receiver's* **HDMI OUT** connector.
4. Connect the **IR blaster cable** and **IR receiver cable** to the *Transmitter* and *Receiver's* **IR** ports respectively. Skip this step if IR control is not needed.
5. Connect your CAT5/6 cable between the *Transmitter's* and *Receiver's* **LINE** port. Make sure the CAT5/6 LAN cable is securely connected.

8. For additional extending of the HDMI signal, connect another *Receiver/Repeater* to the **LINE** port of the first *Receiver/Repeater*. Skip this step if extension is not needed.
9. Plug the included power adapters into the **DC 5V** powerjack of the *Transmitter* and *Receiver* separately. Power on the connected source device and display, the *Extender kit* is ready for use.

Function Diagram

Basic Connection

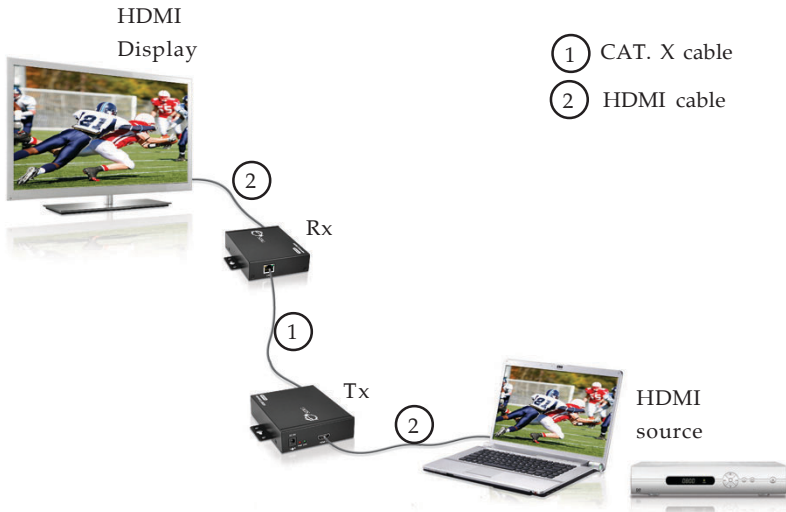


Figure 4

- The extension distance through CAT. X cable is up to 100 meters

Gigabit Ethernet Switch Connection

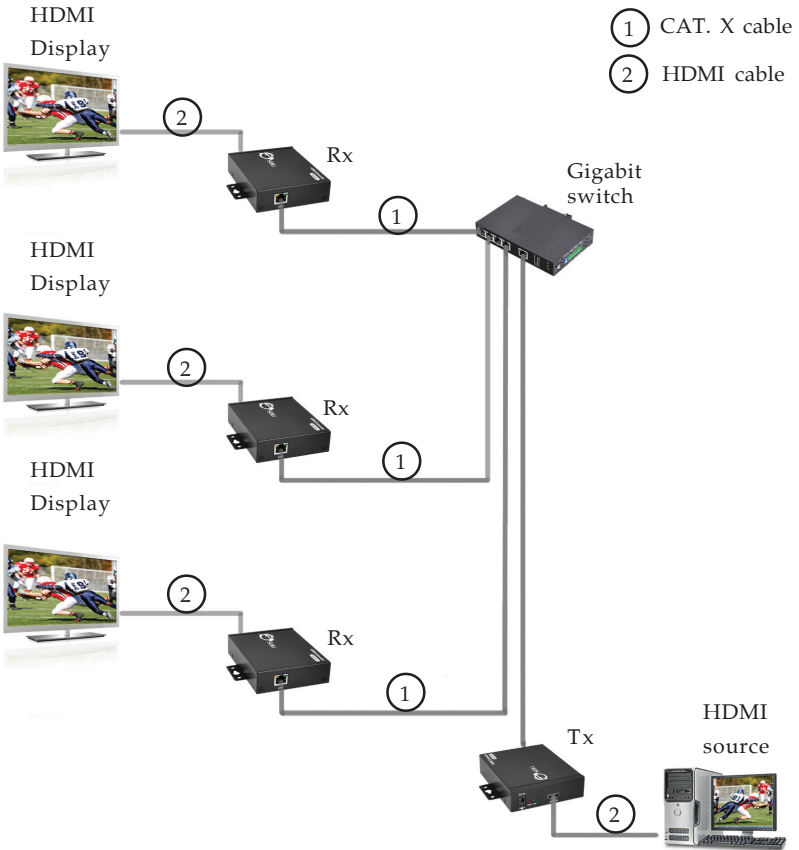


Figure 5: Used with Gigabit Ethernet switch

- Connect with the Gigabit Ethernet switch as shown in the diagram above for multiple device connections
- The extension distance through CAT. X cable is up to 100 meters

Technical Support and Warranty

QUESTIONS? SIIG's **Online Support** has answers! Simply visit our web site at www.siig.com and click **Support**. Our online support database is updated daily with new drivers and solutions. Answers to your questions could be just a few clicks away. You can also submit questions online and a technical support analyst will promptly respond.

SIIG offers a 2-year manufacturer warranty with this product. This warranty covers the original purchaser and guarantees the product to be free of any defects in materials or workmanship for two (2) years from the date of purchase of the product.

SIIG will, at our discretion, repair or replace (with an identical product or product having similar features and functionality) the product if defective in materials or workmanship. This warranty gives you specific legal rights, and you may also have other rights which vary from state to state. Please see our web site for more warranty details.

If you encounter any problems with this product, please follow the procedures below.

A) If it is within the store's return policy period, please return the product to the store where you purchased it.

B) If your purchase has passed the store's return policy period, please follow these steps to have the product repaired or replaced.

Step 1: Submit your RMA request. Go to www.siig.com, click **Support**, then **Request A Product Replacement** to submit a request to **SIIG RMA** or fax a request to 510-657-5962. Your RMA request will be processed, if the product is determined to be defective, an RMA number will be issued.

Step 2: After obtaining an RMA number, ship the product.

- Properly pack the product for shipping. All software, cable(s) and any other accessories that came with the original package must be included.
- Clearly write your RMA number on the top of the returned package. SIIG will refuse to accept any shipping package, and will not be responsible for a product returned without an RMA number posted on the outside of the shipping carton.
- You are responsible for the cost of shipping to SIIG. Ship the product to the following address:

SIIG, Inc.
6078 Stewart Avenue
Fremont, CA 94538-3152, USA
RMA #: _____

- SIIG will ship the repaired or replaced product via Ground in the U.S. and International Economy outside of the U.S. at no cost to the customer.

About SIIG, Inc.

Founded in 1985, SIIG, Inc. is a leading manufacturer of IT connectivity solutions (including Serial ATA and Ultra ATA Controllers, FireWire, USB, and legacy I/O adapters) that bridge the connection between Desktop/ Notebook systems and external peripherals. SIIG continues to grow by adding A/V and Digital Signage connectivity solutions to our extensive portfolio. All centered around the distribution and switching of A/V signals over CAT5/6, these products include matrix switches, distribution amplifiers, extenders, converters, splitters, cabling, and more.

SIIG is the premier one-stop source of upgrades and is committed to providing high quality products while keeping economical and competitive prices. High-quality control standards are evident by one of the lowest defective return rates in the industry. Our products offer comprehensive user manuals, user-friendly features, and most products are backed by a lifetime warranty.

SIIG products can be found in many computer retail stores, mail order catalogs, and e-commerce sites in the Americas, as well as through major distributors, system integrators, and VARs.

PRODUCT NAME

HDMI Over Gigabit IP Extender Kit with IR

FCC RULES: TESTED TO COMPLY WITH FCC PART 15, CLASS B OPERATING ENVIRONMENT: FOR HOME OR OFFICE USE

FCC COMPLIANCE STATEMENT:

This device complies with part 15 of the FCC Rules. Operation is subject to the following two conditions: (1) This device may not cause harmful interference, and (2) this device must accept any interference received, including interference that may cause undesired operation.

THE PARTY RESPONSIBLE FOR PRODUCT COMPLIANCE

SIIG, Inc.
6078 Stewart Avenue
Fremont, CA 94538-3152, USA
Phone: 510-657-8688

HDMI Over Gigabit IP Extender Kit with IR is a trademark of SIIG, Inc. SIIG and the SIIG logo are registered trademarks of SIIG, Inc. Microsoft and Windows are registered trademarks of Microsoft Corporation. All other names used in this publication are for identification only and may be trademarks of their respective owners.