



USB 3.0 to SATA 2.5" Enclosure Installation Guide

Introduction

The *USB 3.0 to SATA 2.5" Enclosure* is designed to support USB equipped computers. This enclosure provides large capacity mobile storage using 2.5" SATA hard disk drives through hot-swapping SuperSpeed USB 3.0 interface.

Key Features and Benefits

- Compliant with Universal Serial Bus 3.0 Specification and backward compatible with USB 2.0/1.1
- USB 3.0 data transfer rate up to 5Gb/s
- Low power consumption - powered directly from the USB bus
- Supports high performance UASP (USB Attached SCSI Protocol)
- Ultra-fast for backup and copying large data files

System Requirements

- PC or Mac® with an available USB port (USB 3.0 recommended)
- Windows® 8 (32-/64-bit) / 7 (32-/64-bit) / Vista (32-/64-bit) / XP (32-/64-bit)
- Server® 2003 & 2008 (32-/64-bit) / 2008 R2 / 2012 / 2012 R2
- Mac OS® X v10.6 or later

Package Contents

- *USB 3.0 to SATA 2.5" Enclosure*
- USB 3.0 Y-split (data and power) cable
- Installation kit
- Installation guide

Layout



Figure 1: Layout

USB 3.0 Y-split Cable

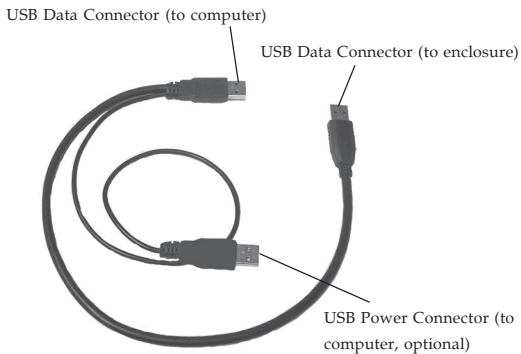


Figure 2: USB 3.0 Y-split Cable

Hardware Installation

The following section guides you through the installation of your drive kit.

Installing a 2.5" Hard Drive

1. Remove the 2 screws in each side, see **Figure 3**. Slide the top cover out of the case, then slide the lower cover out of the case, see **Figure 4**.



Figure 3



Figure 4

2. Take off the PCB and connect it to the hard disk drive, see **Figure 5** and **Figure 6**.

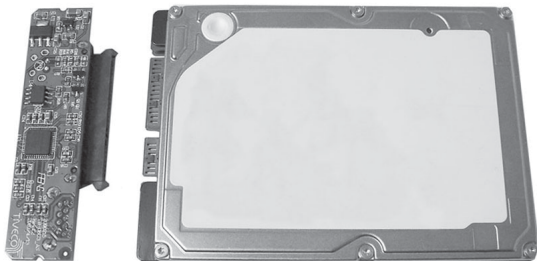


Figure 5

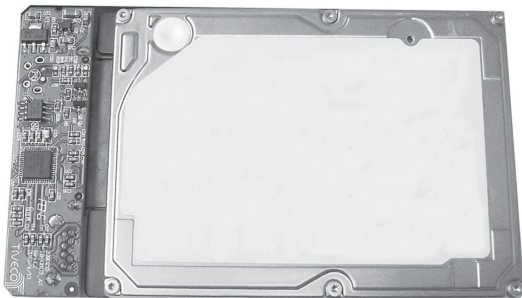


Figure 6

- Put the installed PCB with hard disk drive into the hard disk drive tray, see **Figure 7**.

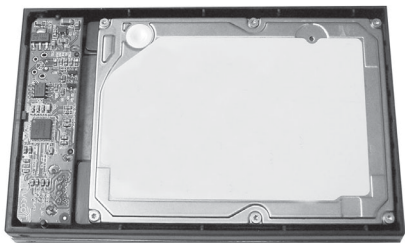


Figure 7

- Hold onto the hard disk drive and turn the hard disk drive tray over. Secure the hard disk drive with four mounting screws, see **Figure 8**.

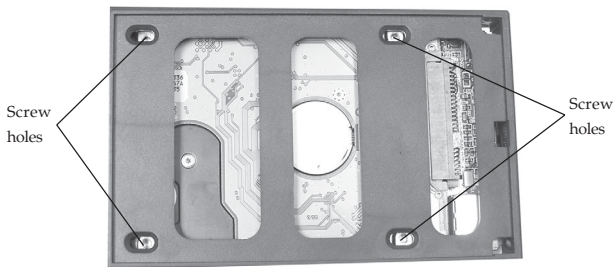


Figure 8

5. Slide the lower cover back into the case and secure it with the two mounting screws, then slide the upper cover back into the case and secure it with the two mounting screws.
6. Plug the included USB 3.0 cable into the enclosure. (Use the cable end with the single Type A USB connector).
7. Plug the **USB Data Connector**, see **Figure 2** on page 3, into a USB port of the computer.

Important: In most cases the **USB Data Connector** will supply enough power to the enclosure. If not, use the optional **USB Power Connector** to supply more power. Before proceeding, first unplug the **USB Data Connector**, then plug the **USB Power Connector** into an available USB port, then re-plug the **USB Data Connector**.

8. The *USB 3.0 to SATA 2.5" Enclosure* will turn on automatically. Make sure that the **LED** is lit.

Driver Installation

Windows and Mac will automatically detect and install drivers for the *USB 3.0 to SATA 2.5" Enclosure*. No additional driver installation is needed.

Using the *USB 3.0 to SATA 2.5" Enclosure*

An additional drive icon will appear in Computer / My Computer (Windows) and on the desktop (Mac OS) when the enclosure is plugged into a USB port. The drive acts just like a conventional hard drive in your system. The drive icon may take a few moments to appear.

Disconnecting From The Computer

Before unplugging the *USB 3.0 to SATA 2.5" Enclosure* from the computer, follow the steps below for your OS version. The same rule applies when turning off the Enclosure. *Not following the instructions may result in data corruption or damage to the hard disk drive.*

Windows 8 / Windows 7 / Server 2008 R2 / 2012 / 2012 R2

1. Verify that the **LED** is not flashing before proceeding.
2. Click **Show hidden icons**, click the **Safely Remove Hardware and Eject Media** icon located in the system tray by the system clock.
3. Click **Eject USB Mass Storage Device**.
4. You can now unplug or turn off the *USB 3.0 to SATA 2.5" Enclosure*.

Windows Vista / Server 2008

1. Verify that the **LED** is not flashing before proceeding.
2. Click the **Safely Remove Hardware** icon located in the system tray by the system clock.
3. Click **Safely remove USB Mass Storage Device**, then click **OK**.
4. You can now unplug or turn off the *USB 3.0 to SATA 2.5" Enclosure*.

Windows XP / Server 2003

1. Verify that the **LED** is not flashing before proceeding.
2. Double click the **Safely Remove Hardware** icon located in the system tray by the system clock.
3. Highlight **Mass Storage Device**, click **Stop**, **OK**, **OK**, then **Close**.
4. You can now unplug or turn off the *USB 3.0 to SATA 2.5" Enclosure*.

Mac OS X v10.6 or later

1. Verify that the **LED** is not flashing before proceeding.
2. Click and hold the HDD icon on the desktop; drag it into the trash icon.
3. You can now unplug or turn off the *USB 3.0 to SATA 2.5" Enclosure*.

Technical Support and Warranty

QUESTIONS? SIIG's **Online Support** has answers! Simply visit our web site at www.siig.com and click **Support**. Our online support database is updated daily with new drivers and solutions. Answers to your questions could be just a few clicks away. You can also submit questions online and a technical support analyst will promptly respond.

SIIG offers a 5-year manufacturer warranty with this product. This warranty covers the original purchaser and guarantees the product to be free of any defects in materials or workmanship for five (5) years from the date of purchase of the product.

SIIG will, at our discretion, repair or replace (with an identical product or product having similar features and functionality) the product if defective in materials or workmanship. This warranty gives you specific legal rights, and you may also have other rights which vary from state to state. Please see our web site for more warranty details.

If you encounter any problems with this product, please follow the procedures below.

A) If it is within the store's return policy period, please return the product to the store where you purchased from.

B) If your purchase has passed the store's return policy period, please follow the steps below to have the product repaired or replaced.

Step 1: Submit your RMA request.

Go to www.siig.com, click **Support**, then **REQUEST A PRODUCT REPLACEMENT** to submit a request to [SIIG RMA](#) or fax a request to 510-657-5962. Your RMA request will be processed, if the product is determined to be defective, an RMA number will be issued.

Step 2: After obtaining an RMA number, ship the product.

- Properly pack the product for shipping. All accessories that came with the original package must be included.
- Clearly write your RMA number on the top of the returned package. SIIG will refuse to accept any shipping package, and will not be responsible for a product returned without an RMA number posted on the outside of the shipping carton.
- You are responsible for the cost of shipping to SIIG. Ship the product to the following address:

SIIG, Inc.

6078 Stewart Avenue

Fremont, CA 94538-3152, USA

RMA #: _____

- SIIG will ship the repaired or replaced product via Ground in the U.S. and International Economy outside of the U.S. at no cost to the customer.

About SIIG, Inc.

Founded in 1985, SIIG, Inc. is a leading manufacturer of IT connectivity solutions (including Serial ATA and Ultra ATA Controllers, FireWire, USB, and legacy I/O adapters) that bridge the connection between Desktop/ Notebook systems and external peripherals. SIIG continues to grow by adding A/V and Digital Signage connectivity solutions to our extensive portfolio. SIIG products offer comprehensive user manuals, many user-friendly features, and are backed by an extensive manufacturer warranty. High quality control standards are evident by the overall ease of installation and compatibility of our products, as well as one of the lowest defective return rates in the industry. SIIG products can be found in computer retail stores, mail order catalogs, through major distributors, system integrators, and VARs in the Americas and the UK, and through e-commerce sites.

PRODUCT NAME

USB 3.0 to SATA 2.5" Enclosure

FCC RULES: TESTED TO COMPLY WITH FCC PART 15, CLASS B
OPERATING ENVIRONMENT: FOR HOME OR OFFICE USE

FCC COMPLIANCE STATEMENT:

This device complies with part 15 of the FCC Rules. Operation is subject to the following two conditions: (1) This device may not cause harmful interference, and (2) this device must accept any interference received, including interference that may cause undesired operation.

THE PARTY RESPONSIBLE FOR PRODUCT COMPLIANCE

SIIG, Inc.

6078 Stewart Avenue

Fremont, CA 94538-3152, USA

Phone: 510-657-8688

USB 3.0 to SATA 2.5" Enclosure is a trademark of SIIG, Inc. SIIG and the SIIG logo are registered trademarks of SIIG, Inc. Microsoft and Windows are registered trademarks of Microsoft Corporation. All other names used in this publication are for identification only and may be trademarks of their respective owners.