



**Full Motion Articulating Monitor & Laptop
Desk Mount**

Installation Instructions



Unpacking

- Carefully remove the contents and lay them out on cardboard or other protective surface
- Check package contents against the parts list to ensure that all components were received undamaged. Do not use damaged or defective parts
- Carefully read all instructions before attempting installation

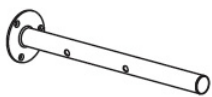
Safety Information

- Use proper safety equipment during installation
- If you don't understand the installation instructions, please consult an installation specialist
- This mount contains small parts which can act as a choking hazard if swallowed
- Do not use this product for any purpose or in any configuration not explicitly specified in these instructions

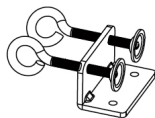
Tools Required

- Phillips screwdriver
- 3/8" drill bit (for grommet hole installation)
- Electric drill (for grommet hole installation)

Parts List



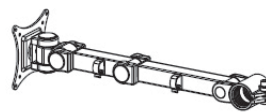
a - (1x) Tube Support



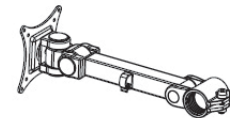
b - (1x) C-Clamp



c - (1x) C-Clamp Brace



d1 - (1x) VESA Plate with Arm



d2 - (1x) VESA Plate with Arm



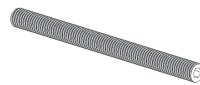
e - (3x) C-Clamp
Brace Bolt



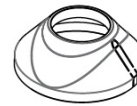
f - (1x) Wing Nut



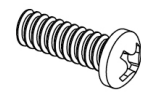
g - (1x) Grommet Plate



h - (1x) Grommet Bolt



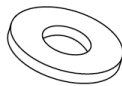
i - (1x) Decorative Cap



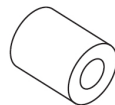
j - (8x) M4x12 Bolt



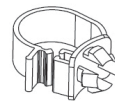
k - (8x) M4x30 Bolt



l - (16x) M4 Washer



m - (8x) M4 Spacer



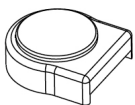
n - (2x) Wire Clip



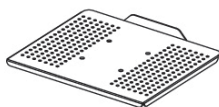
o - (2x) M10x15 Bolt



p - (1x) Allen Key



q - (2x) Plastic Cover



r - (1x) Laptop Tray



s - (4x) M4x10 Bolt



t - (4x) Washer



u - (4x) M4 Nut



v - (1x) Wrench

Installation

Caution: This desk mount must be securely attached to the horizontal desktop. If the mount is not properly installed it may fall, resulting in possible injury and/or damage.

1A) C-Clamp Installation

1. Install the C-Clamp Brace (c) to the Tube Support (a) using 3 C-Clamp Brace Bolts (e), see Figure 1.
2. Install the C-Clamp (b) to the Tube Support assembly (a) according to the thickness of the desktop. The thickness can be changed in three positions. Connect it using two M10x15 Bolts (o) and tighten them using the Allen Key (p). Tighten the C-Clamp to the desktop using the 2 eye bolts, see Figure 2.
3. Install the Decorative Cap (i) over the Tube Support, see Figure 2a. This step is optional. The Decorative Cap covers the mounting surface to provide a cleaner installation.

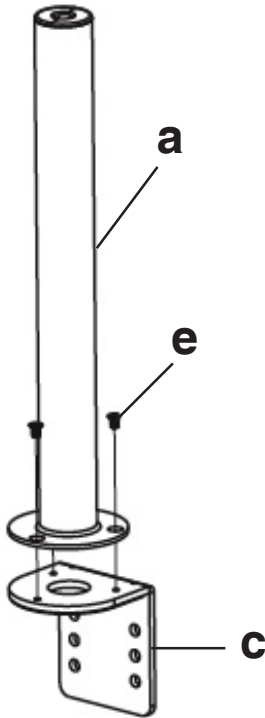


Figure 1

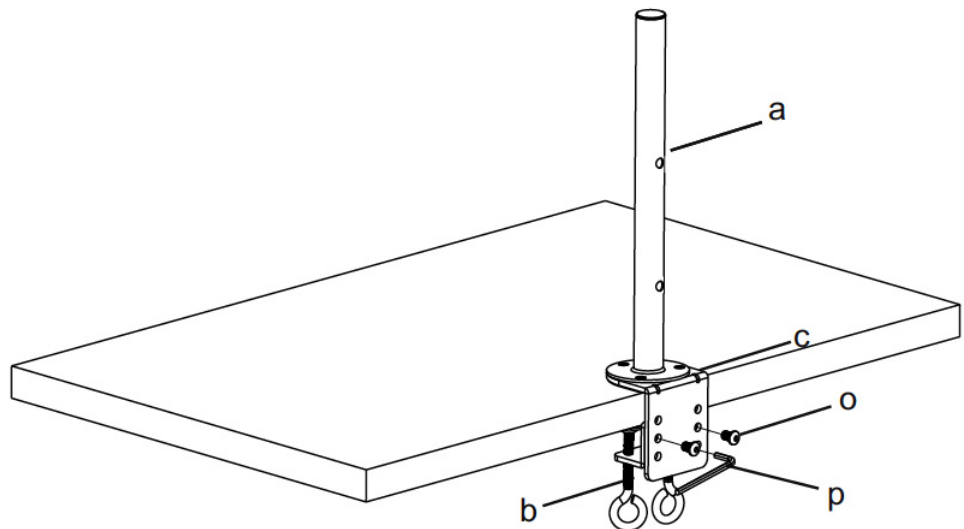


Figure 2

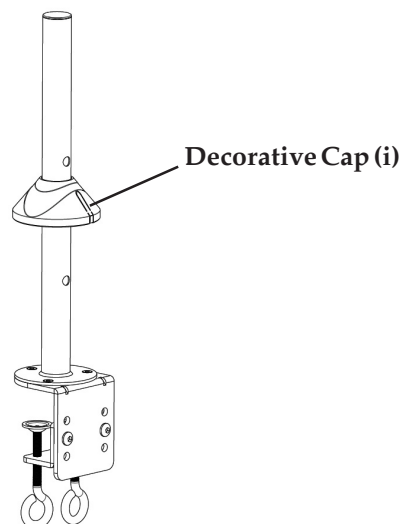


Figure 2a

1B) Existing Grommet Hole Installation

If the existing grommet hole comes with a plastic protector, remove it to ensure a flat surface before installing the desk mount.

1. Thread the Grommet Bolt (h) into the center screw hole located on the bottom of the Tube Support (a). Turn the grommet bolt so that the top is protruding approximately 1/4" above the screw hole.
2. Position the Tube Support (a) on the mounting surface and secure it using the Grommet Plate (g) and Wing Nut (f), see Figure 3.
3. Install the Decorative Cap over the Tube Support, see Figure 3. This step is optional. The Decorative Cap covers the mounting surface to provide a cleaner installation.

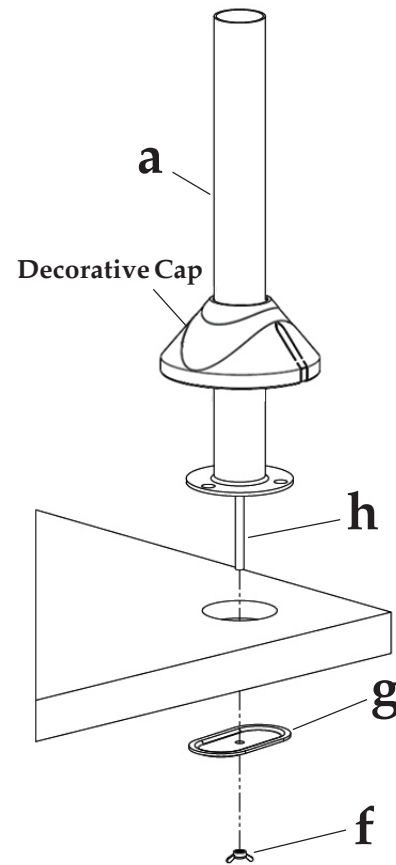


Figure 3

1C) Self Drilled Grommet Hole Installation

1. Position the Tube Support (a) on the mounting surface and mark the center hole. Remove the Tube Support. Drill a 3/8" (10mm) diameter hole at the marked position through the mounting surface.
2. Thread the Grommet Bolt (h) into the center screw hole located on the bottom of the Tube Support (a). Turn the grommet bolt so that the top is protruding approximately 1/4" above the screw hole.
3. Place the Tube Support on the mounting surface and secure it using the Grommet Plate (g) and Wing Nut (f), see Figure 4.
4. Install the Decorative Cap over the Tube Support, see Figure 4. This step is optional. The Decorative Cap covers the mounting surface to provide a cleaner installation.

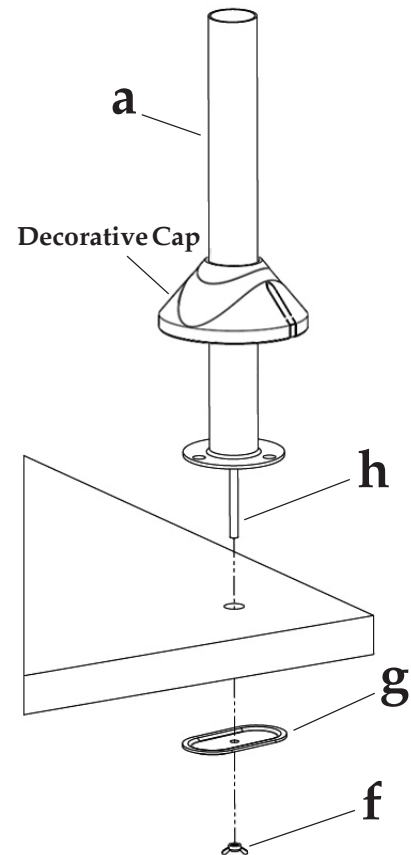


Figure 4

2. Install both VESA Plate with Arm (d1 & d2) onto the Tube Support, make sure the wire clips are pointing downwards. Tighten the clamp bolt using Allen Key (p), see Figure 5.

Caution: When installing the VESA Plate with Arm, DO NOT over tighten the clamp bolt. The VESA Plate with Arm is intended to rotate and is not meant to be attached in a fixed position. Tighten the clamp bolt only tight enough to keep the VESA Plate with Arm at the desired height position. Overtightening the clamp bolt may result in damage to the clamp and/or tube support.

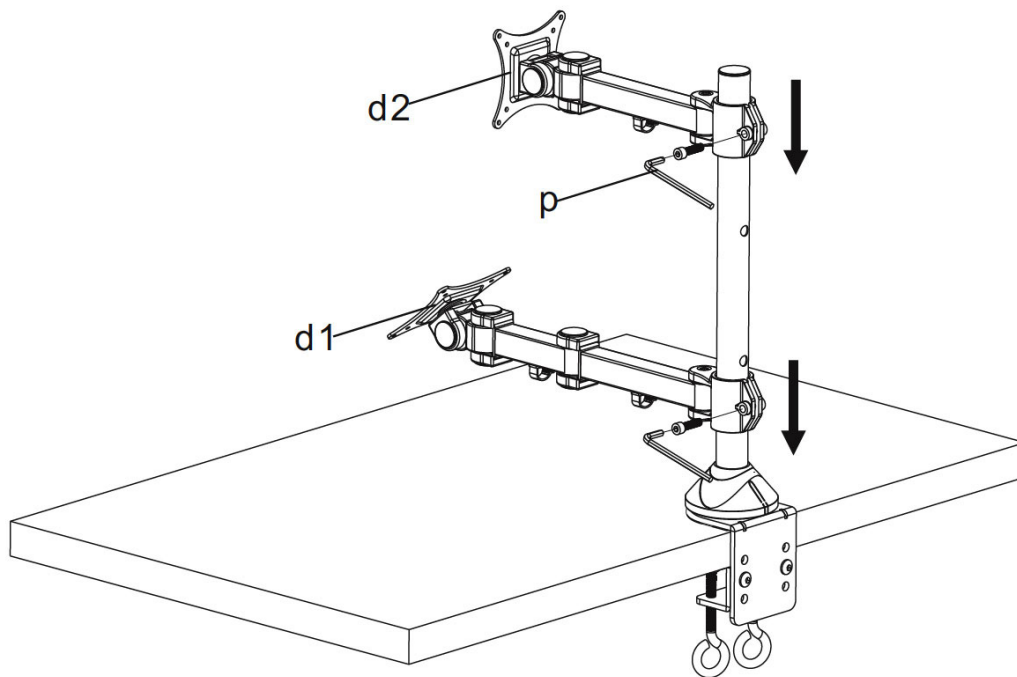


Figure 5

3. Mount the Laptop Tray (r) to the VESA plate (d1) using M4x10 Bolt (s), Washer (t) and M4 Nut (u), tighten them using a Phillips screwdriver and the included wrench.

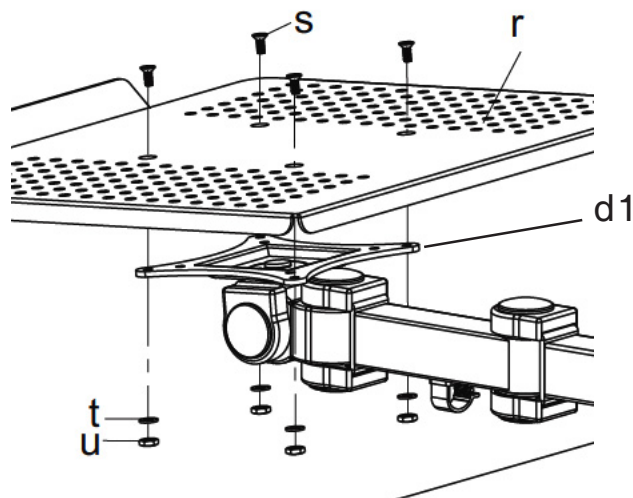
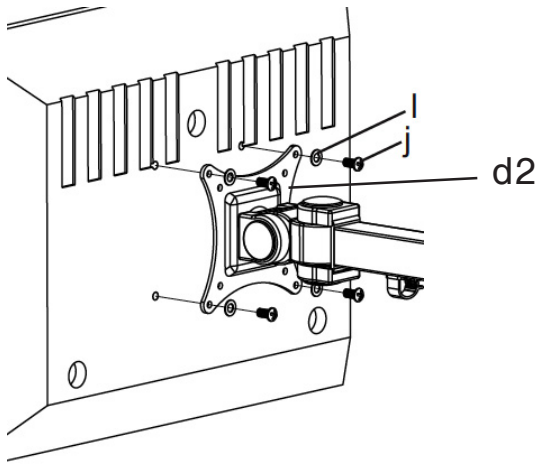


Figure 6

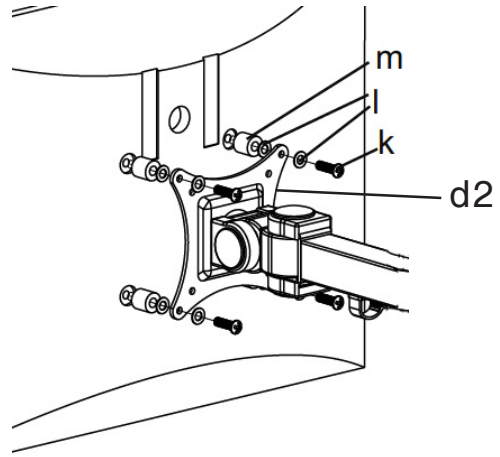
4. Mount the monitor to the VESA plate (d2).

4-1) For flat back monitors use M4 Washer (l) and M4x12 Bolt (j).

4-2) For curved back monitors use M4 Spacer (m), M4 Washer (l), and M4x30 Bolt (k).

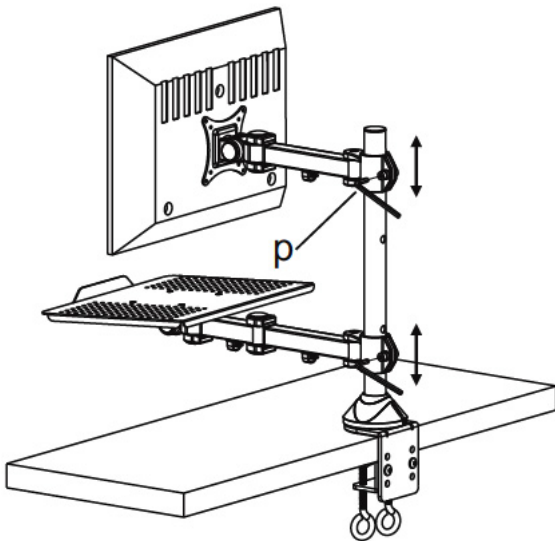


4-1: Flat Back Monitor

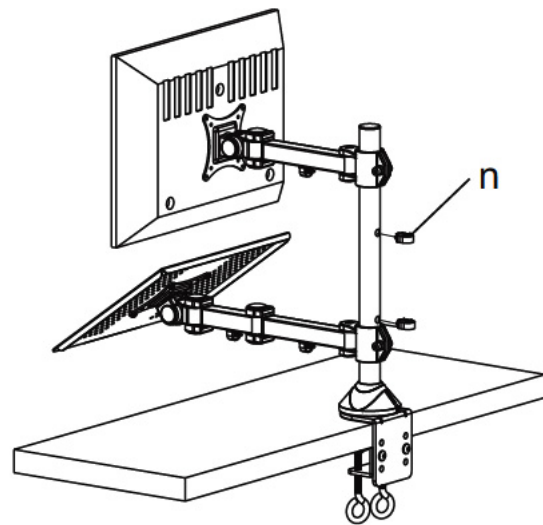


4-2: Curved Back Monitor

5. Adjust the height and install the Wire Clips.

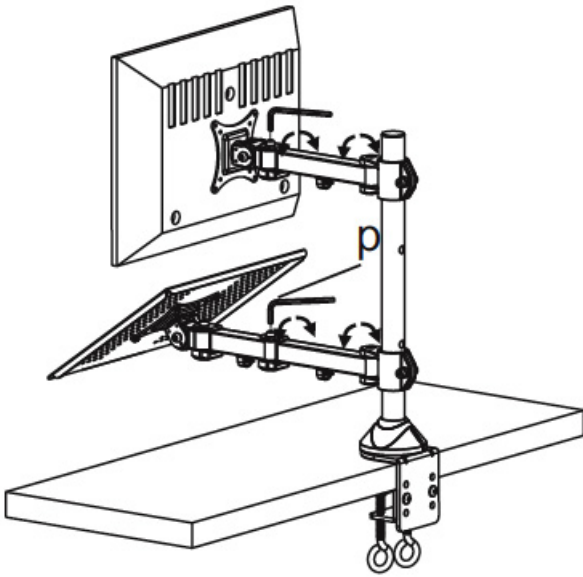


Adjust height, use Allen Key (p) to make the necessary adjustment. Tighten the clamp bolt only tight enough to keep the arm at the desired height position. Overtightening the clamp bolt may result in damage to the clamp and/or tube support.

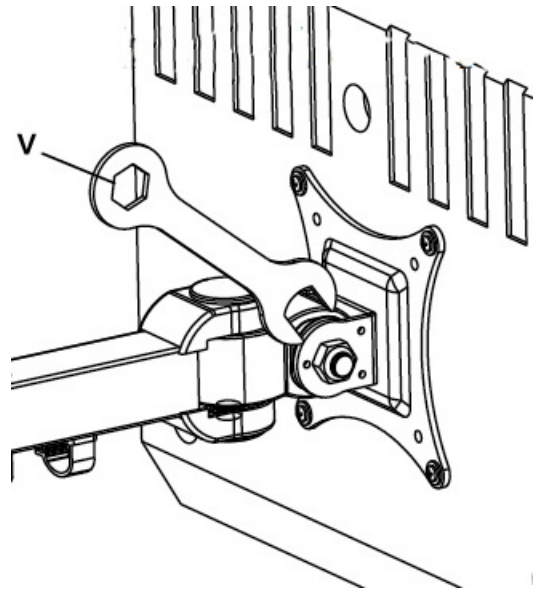


Install the Wire Clips (n) onto the tube support.

6. Check the tightness and adjust the tilt angle.

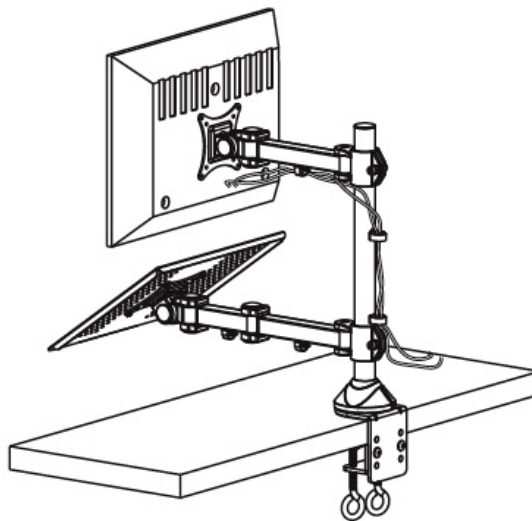


Check tightness, remove the plastic cover to access the tightening bolt. Use the provided Allen Key (p) to adjust the tightening bolt.



Tilt adjustment, remove the plastic cover to access the tightening nut. Use the provided Wrench (v) to adjust the tightening nut.

7. Arrange the cables through the cable management clips and down the Tube Support. Make any final adjustments.



Arrange Cables

Maintenance

Check the mounting screws every two months for tightness.

Technical Support and Warranty

QUESTIONS? SIIG's **Online Support** has answers! Simply visit our website at www.siig.com and click **Support**. Our online support database is updated daily with new drivers and solutions. Answers to your questions could be just a few clicks away. You can also submit questions online and a technical support analyst will promptly respond.

SIIG offers a 3-year manufacturer warranty with this product. This warranty covers the original purchaser and guarantees the product to be free of any defects in materials or workmanship for three (3) years from the date of purchase of the product.

SIIG will, at our discretion, repair or replace (with an identical product or product having similar features and functionality) the product if defective in materials or workmanship. This warranty gives you specific legal rights, and you may also have other rights which vary from state to state. Please see our website for more warranty details.

If you encounter any problems with this product, please follow the procedures below.

A) If it is within the store's return policy period, please return the product to the store where you purchased from.

B) If your purchase has passed the store's return policy period, please follow the steps below to have the product repaired or replaced.

Step 1: Submit your RMA request.

Go to www.siig.com, click **Support**, then **Request A Product Replacement** to submit a request to [SIIG RMA](#) or fax a request to 510-657-5962. Your RMA request will be processed, if the product is determined to be defective, an RMA number will be issued.

Step 2: After obtaining an RMA number, ship the product.

- Properly pack the product for shipping. All accessories that came with the original package must be included.
- Clearly write your RMA number on the top of the returned package. SIIG will refuse to accept any shipping package, and will not be responsible for a product returned without an RMA number posted on the outside of the shipping carton.
- You are responsible for the cost of shipping to SIIG. Ship the product to the following address:
SIIG, Inc.
6078 Stewart Avenue
Fremont, CA 94538-3152, USA
RMA #: _____
- SIIG will ship the repaired or replaced product via Ground in the U.S. and International Economy outside of the U.S. at no cost to the customer.

About SIIG, Inc.

Founded in 1985, SIIG, Inc. is a leading manufacturer of IT connectivity solutions (including Serial ATA and Ultra ATA Controllers, FireWire, USB, and legacy I/O adapters) that bridge the connection between Desktop/Notebook systems and external peripherals. SIIG continues to grow by adding A/V and Digital Signage connectivity solutions to our extensive portfolio. All centered around the distribution and switching of A/V signals over CAT5/6, these products include matrix switches, distribution amplifiers, extenders, converters, splitters, cabling, and more.

SIIG is the premier one-stop source of upgrades and is committed to providing high quality products while keeping economical and competitive prices. High-quality control standards are evident by one of the lowest defective return rates in the industry. Our products offer comprehensive user manuals, user-friendly features, and most products are backed by a lifetime warranty.

SIIG products can be found in many computer retail stores, mail order catalogs, and e-commerce sites in the Americas, as well as through major distributors, system integrators, and VARs.

<p>PRODUCT NAME</p>

<p>Full Motion Articulating Monitor & Laptop Desk Mount</p>

Full Motion Articulating Monitor & Laptop Desk Mount is a trademark of SIIG, Inc. SIIG and the SIIG logo are registered trademarks of SIIG, Inc. All other names used in this publication are for identification only and may be trademarks of their respective owners.