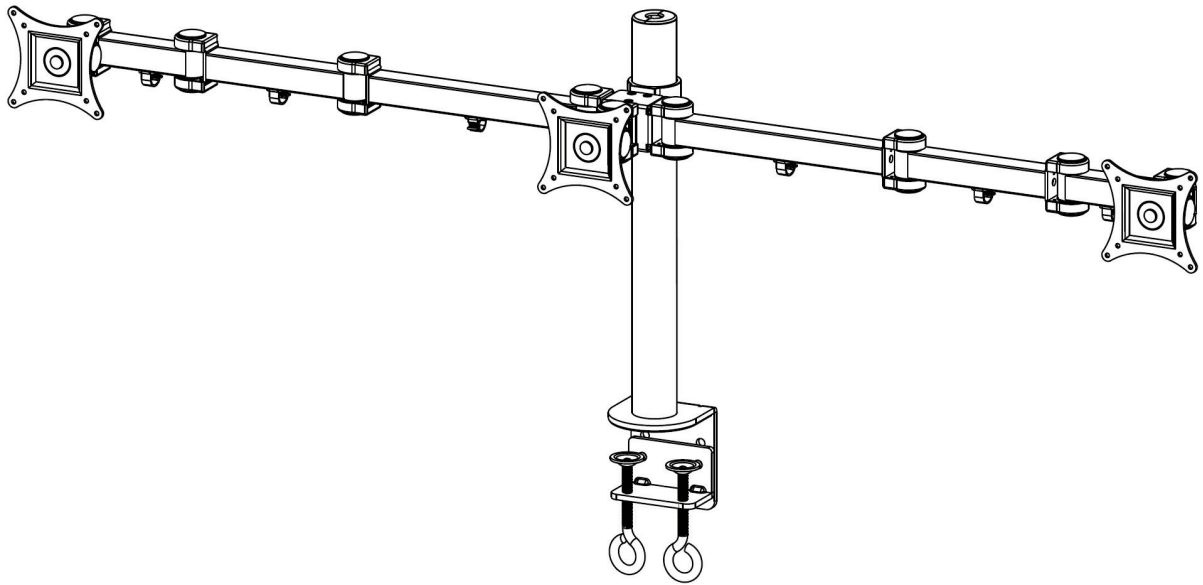


# Articulating Triple Monitor Desk Mount 13" to 27"

## Installation Instructions



## Unpacking

---

- Carefully remove the contents and lay them out on cardboard or other protective surface
- Check package contents against the parts list to ensure that all components were received undamaged. Do not use damaged or defective parts
- Carefully read all instructions before attempting installation

## Safety Information

---

- Use proper safety equipment during installation
- If you don't understand the installation instructions, please consult an installation specialist
- This mount contains small parts which can act as a choking hazard if swallowed
- Do not use this product for any purpose or in any configuration not explicitly specified in these instructions

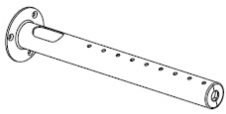
## Tools Required

---

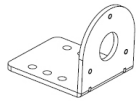
- Phillips screwdriver and adjustable wrench
- 3/8" drill bit (for Grommet installation)
- Electric drill (for Grommet installation)

## Parts List

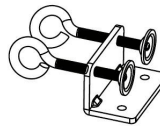
---



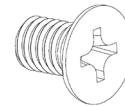
a - (1x) 48mm Tube Support



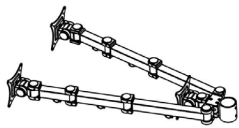
b - (1x) C-clamp brace



c - (1x) C-clamp



d - (3x) C-clamp brace bolt



e - (1x) Vesa plate with Arm



f - (1x) 3/8" Grommet bolt



g - (1x) Grommet plate



h - (1x) Wing nut



i - (12x) M4x12 Bolt



j - (12x) M4x30 Bolt



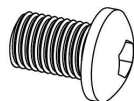
k - (24x) M4 Washer



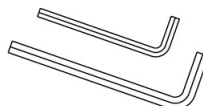
l - (12x) M4 Spacer



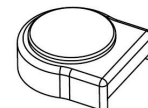
m - (2x) M8x10 Bolt



n - (2x) M10x15 Bolt



o - (2x) Allen Key



p - (2x) Spare Plastic Cover

## Installation

**Caution:** This monitor desk mount must be securely attached to the horizontal desktop. If the mount is not properly installed it may fall, resulting in possible injury and/or damage.

### 1A) C-clamp Installation

1. Install the C-clamp brace (b) to the 48mm Tube Support (a) using 3 C-clamp brace bolts (d), see Figure 1.
2. Install the C-clamp (c) to the 48mm Tube Support assembly according to the thickness of the desktop. The thickness can be changed in three positions. Connect it using 2 M10x15 Bolts (n) and tighten using the Allen Key (o). Tighten the C-clamp to the desktop using the 2 eye bolts, see Figure 2.
3. Install the Plastic cap over the 48mm Tube support, see Figure 2a. This step is optional. The plastic cap covers the mounting surface to provide a cleaner installation.

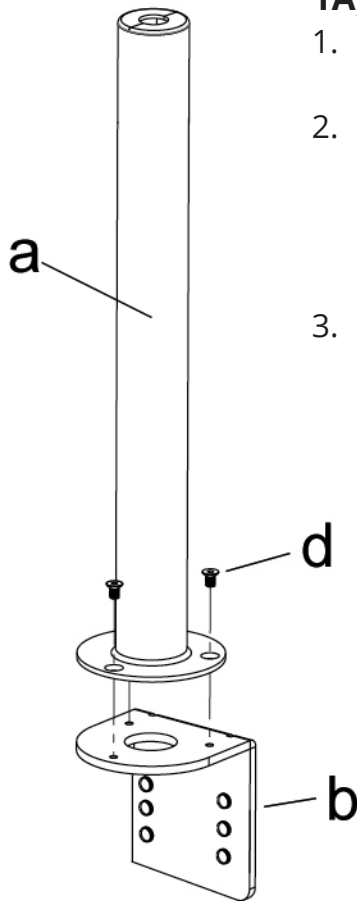


Figure 1

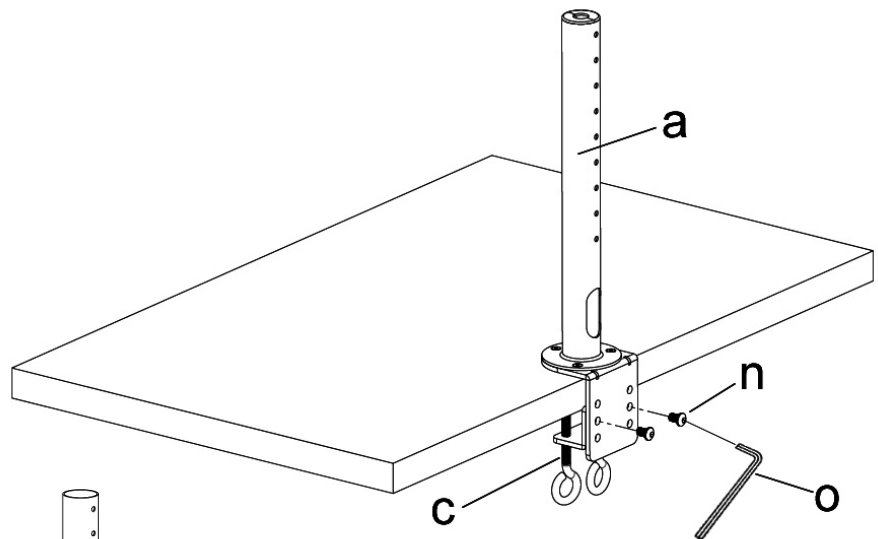


Figure 2

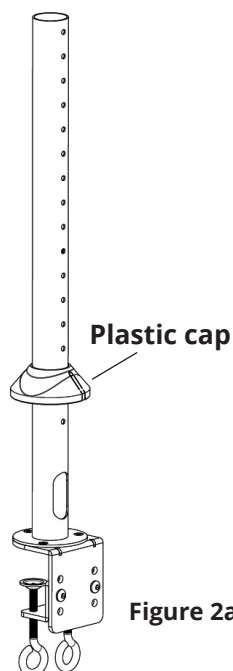


Figure 2a

## 1B) Existing Grommet Hole Installation

If the existing grommet hole comes with a plastic protector, remove it to ensure a flat surface before installing the desk mount.

1. Thread the 3/8" Grommet bolt (f) into the center screw hole located on the bottom of the 48mm Tube Support (a). Turn the grommet bolt so that the top is protruding approximately 1/4" above the screw hole.
2. Position the 48mm Tube Support (a) on the mounting surface and secure it using the Grommet plate (g) and Wing nut (h), see Figure 3.
3. Install the Plastic cap over the 48mm Tube support. This step is optional. The plastic cap covers the mounting surface to provide a cleaner looking installation.

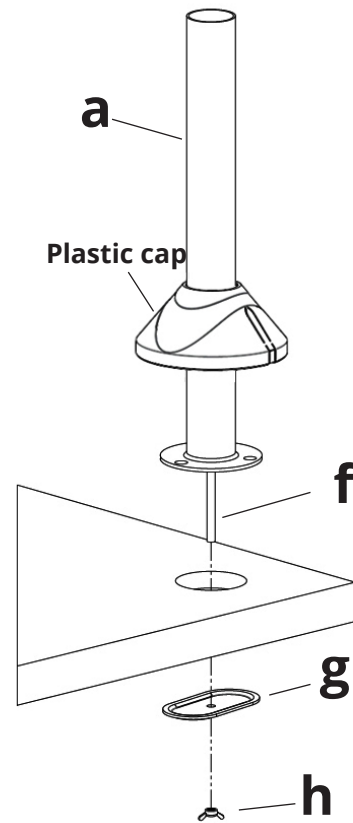


Figure 3

## 1C) Self Drilled Grommet Hole Installation

1. Position the 48mm Tube Support (a) on the mounting surface and mark the center hole. Remove the tube support. Drill a 3/8" (10mm) diameter hole at the marked position through the mounting surface.
2. Thread the 3/8" Grommet bolt (f) into the center screw hole located on the bottom of the 48mm Tube Support (a). Turn the grommet bolt so that the top is protruding approximately 1/4" above the screw hole.
3. Place the tube support on the mounting surface and secure it using the Grommet plate (g) and Wing nut (h), see Figure 4.
4. Install the Plastic cap over the 48mm Tube Support. This step is optional. The plastic cap covers the mounting surface to provide a cleaner looking installation.

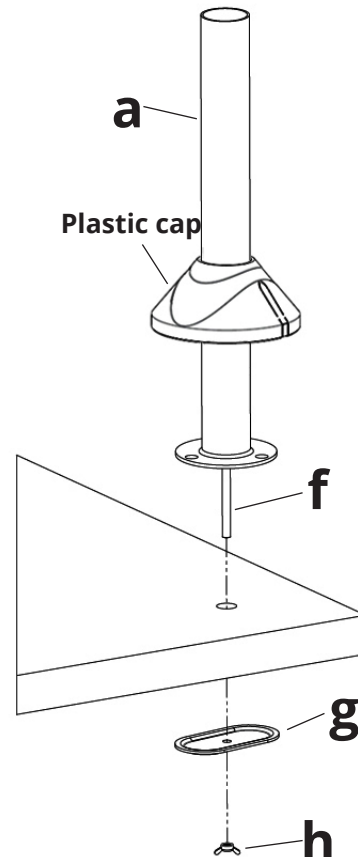


Figure 4

- 2. Install the Vesa Plate with Arm (e) to the tube support, make sure the wire clips are on the bottom. Connect it using 2 M8x10 Bolt (m) and tighten using a Phillips screwdriver

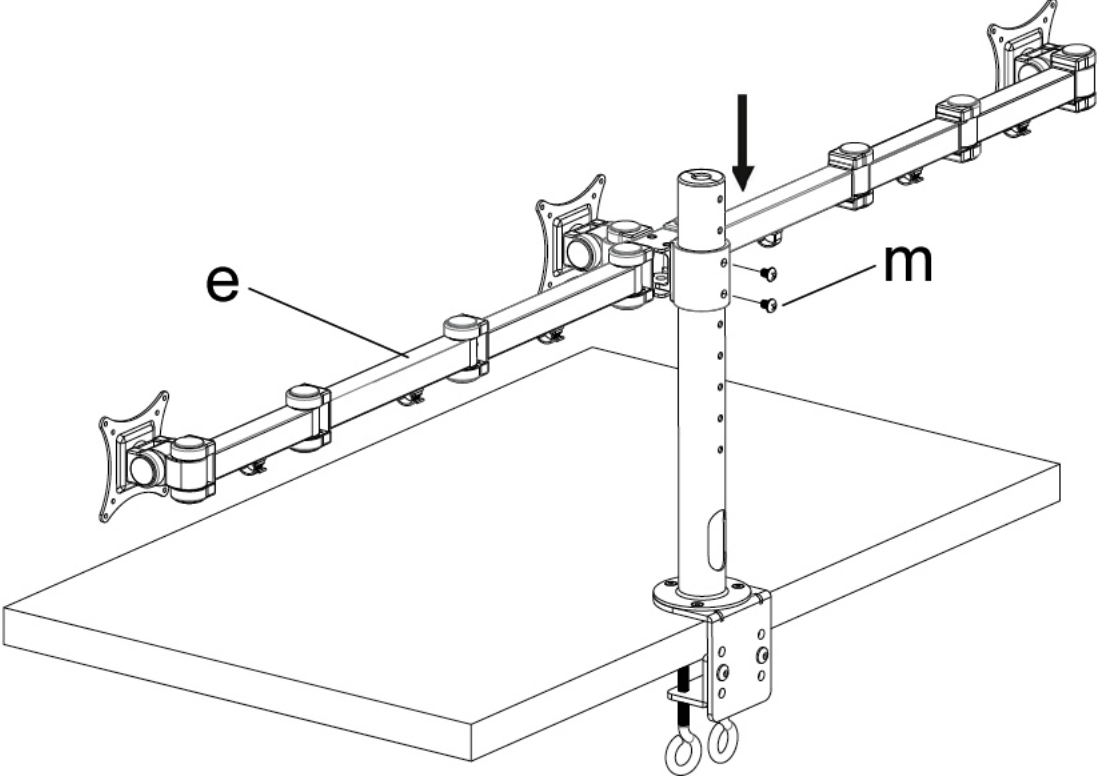
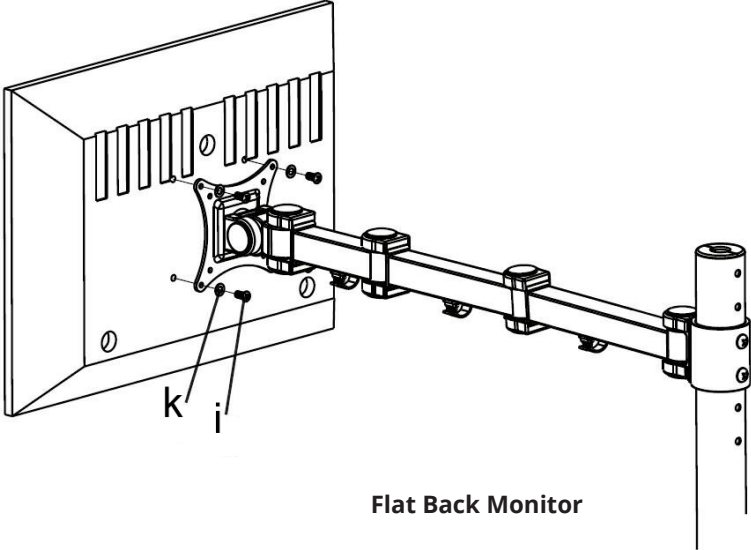
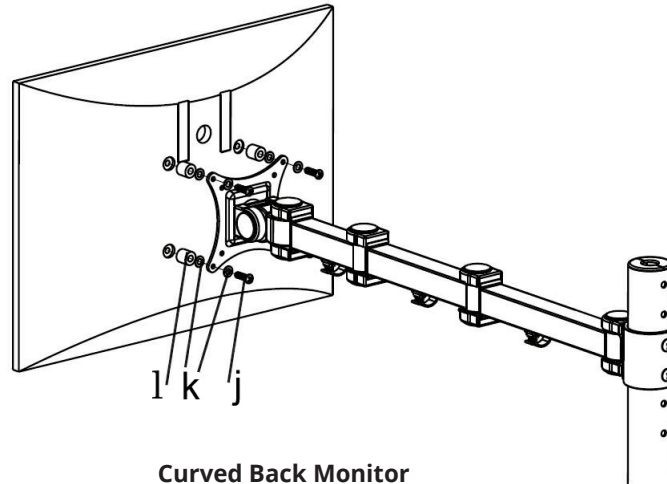


Figure 5

- 3. Mount the monitor to the Vesa plate.  
3-1. For flat back monitors use M4x12 Bolt (i) and M4 Washer (k).



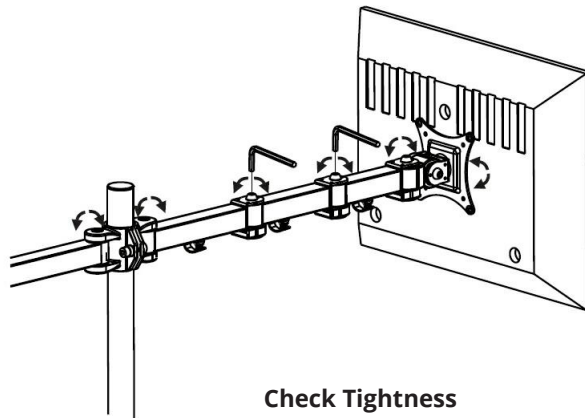
3-2. For curved back monitors use M4 Spacer (l), M4x30 Bolt (j), and M4 Washer (k).



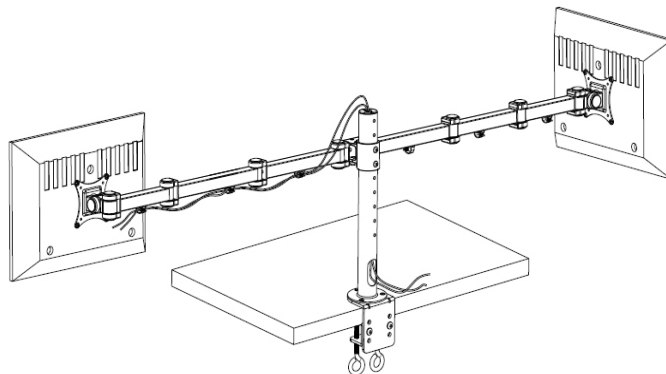
Curved Back Monitor

## **Final Adjustments and Cable Management**

1. Check the tightness, arrange the cables through the cable management clips and down the tube support, and make any final adjustments. Note: Remove the plastic covers at each position to access the tightening screws.

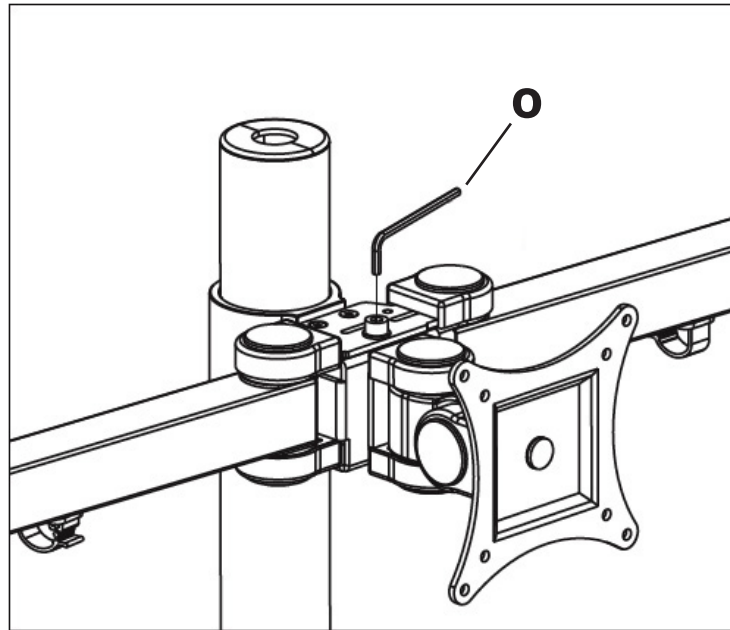


Check Tightness



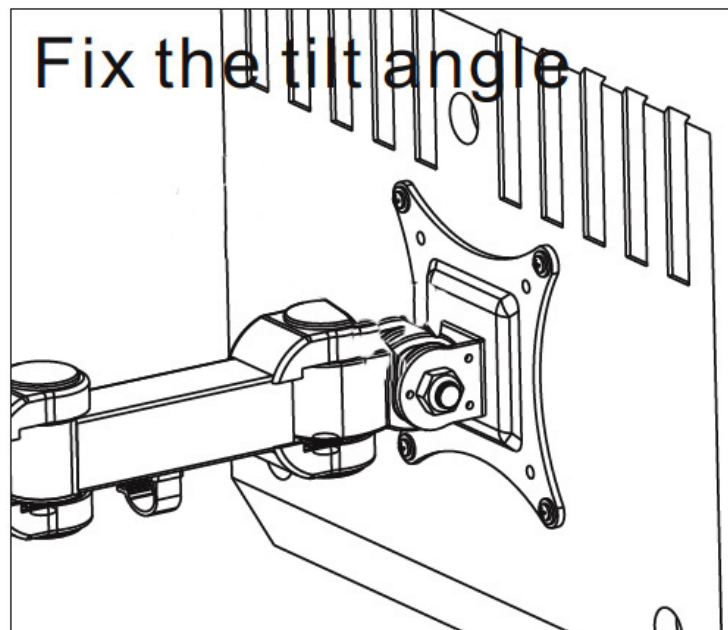
Arrange Cables

2. Use Allen Key (o) to raise or lower the height of the center monitor.



Height Adjustment

3. To adjust the monitor tilt angle, use an adjustable wrench to tighten or loosen the tightening screw then place the monitor at the desired position and tighten the screw to fix the position of the monitor. **Note:** Remove the plastic cover to access the tightening screw.



Monitor Tilt Angle Adjustment

## Technical Support and Warranty

---

**QUESTIONS?** SIIG's **Online Support** has answers! Simply visit our web site at [www.siig.com](http://www.siig.com) and click **Support**. Our online support database is updated daily with new drivers and solutions. Answers to your questions could be just a few clicks away. You can also submit questions online and a technical support analyst will promptly respond.

SIIG offers a five (5) year manufacturer warranty with this product. This warranty covers the original purchaser and guarantees the product to be free of any defects in materials or workmanship for five (5) years from the date of purchase of the product.

SIIG will, at our discretion, repair or replace (with an identical product or product having similar features and functionality) the product if defective in materials or workmanship. This warranty gives you specific legal rights, and you may also have other rights which vary from state to state. Please see our web site for more warranty details.

If you encounter any problems with this product, please follow the procedures below.

- A) If it is within the store's return policy period, please return the product to the store where you purchased it.
- B) If your purchase has passed the store's return policy period, please follow these steps to have the product repaired or replaced.

**Step 1:** Submit your RMA request. Go to [www.siig.com](http://www.siig.com), click **Support**, then **Request A Product Replacement** to submit a request to [SIIG RMA](#) or fax a request to 510-657-5962. Your RMA request will be processed, if the product is determined to be defective, an RMA number will be issued.

**Step 2:** After obtaining an RMA number, ship the product.

- Properly pack the product for shipping. All software, cable(s) and any other accessories that came with the original package must be included.
- Clearly write your RMA number on the top of the returned package. SIIG will refuse to accept any shipping package, and will not be responsible for a product returned without an RMA number posted on the outside of the shipping carton.
- You are responsible for the cost of shipping to SIIG. Ship the product to the following address:

**SIIG, Inc.**  
**6078 Stewart Avenue**  
**Fremont, CA 94538-3152, USA**  
**RMA #:** \_\_\_\_\_

- SIIG will ship the repaired or replaced product via Ground in the U.S. and International Economy outside of the U.S. at no cost to the customer.

## About SIIG, Inc.

---

Founded in 1985, SIIG, Inc. is a leading manufacturer of IT connectivity solutions (including Serial ATA and Ultra ATA Controllers, FireWire, USB, and legacy I/O adapters) that bridge the connection between Desktop/Notebook systems and external peripherals. SIIG continues to grow by adding A/V and Digital Signage connectivity solutions to our extensive portfolio. All centered around the distribution and switching of A/V signals over CAT5/6, these products include matrix switches, distribution amplifiers, extenders, converters, splitters, cabling, and more.

SIIG is the premier one-stop source of upgrades and is committed to providing high quality products while keeping economical and competitive prices. High-quality control standards are evident by one of the lowest defective return rates in the industry. Our products offer comprehensive user manuals, user-friendly features, and most products are backed by a lifetime warranty.

SIIG products can be found in many computer retail stores, mail order catalogs, and e-commerce sites in the Americas, as well as through major distributors, system integrators, and VARs.

<b>PRODUCT NAME</b>
---------------------

Articulating Triple Monitor Desk Mount - 13" to 27"
---

Articulating Triple Monitor Desk Mount - 13" to 27" is a trademark of SIIG, Inc. SIIG and the SIIG logo are registered trademarks of SIIG, Inc. All other names used in this publication are for identification only and may be trademarks of their respective owners.