



Dual Monitor Articulating Desk Mount

13" to 27"

Installation Instructions



P/N: CE-MT1822-S1

Unpacking

- Carefully remove the contents and lay them out on cardboard or other protective surface
- Check package contents against the parts list to ensure that all components were received undamaged. Do not use damaged or defective parts
- Carefully read all instructions before attempting installation

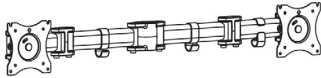
Safety Information

- Use proper safety equipment during installation
- If you don't understand the installation instructions, please consult an installation specialist
- This mount contains small parts which can act as a choking hazard if swallowed
- Do not use this product for any purpose or in any configuration not explicitly specified in these instructions

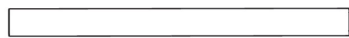
Tools Required

- Phillips screwdriver
- 1/2" drill bit (for grommet hole installation)
- Electric drill (for grommet hole installation)

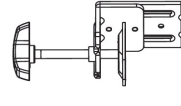
Parts List



A - (1x) VESA
Plate with Arm



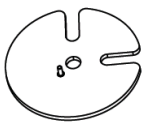
B - (1x) Tube Support



C - (1x) C-Clamp



D - (1x) Cable
Management Clip



E - (1x) Upper
Grommet Plate



F - (5x) Rubber Pad



G - (1x) Bolt



H - (1x) Lower
Grommet Plate



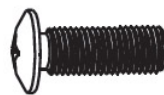
I - (1x) 5mm
Allen Key



J - (1x) 6mm
Allen Key



M-A - (8x) M4x12 Bolt



M-B - (8x) M5x12 Bolt



M-C - (8x) Washer

Installation

Caution: This monitor desk mount must be securely attached to the horizontal desktop. If the mount is not properly installed it may fall, resulting in possible injury and/or damage.

1A) C-Clamp Installation

1. Attach the C-Clamp (C) to the Tube Support (B) using Bolt (G), tighten the bolt using the 6mm Allen Key (J), see **Figure 1**.
2. Place the Rubber Pads (F) onto the upper C-Clamp, see **Figure 1**.
3. Position the C-Clamp to the desktop. Loosen the Clamp Screw according to the thickness of the desktop. Tighten the C-Clamp to the desktop by turning the Clamp Screw clockwise until tight, see **Figure 2**.

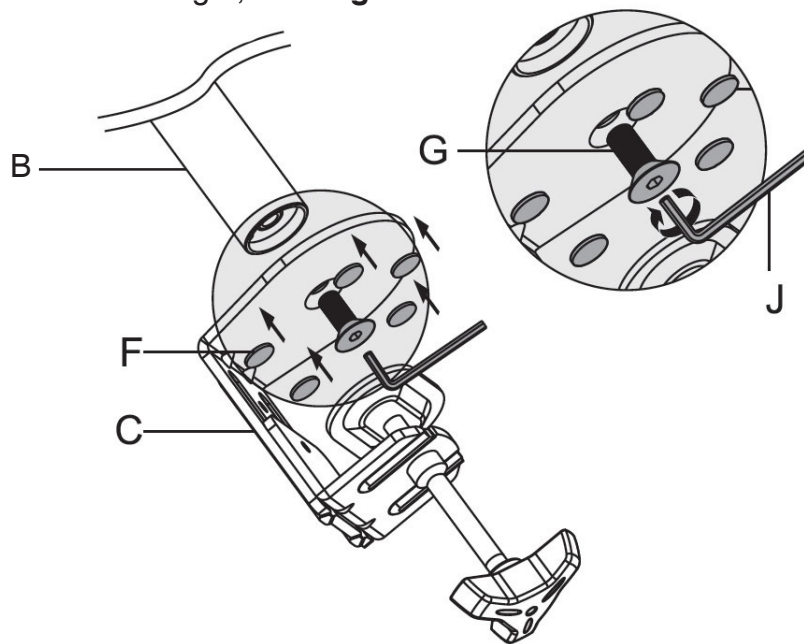


Figure 1

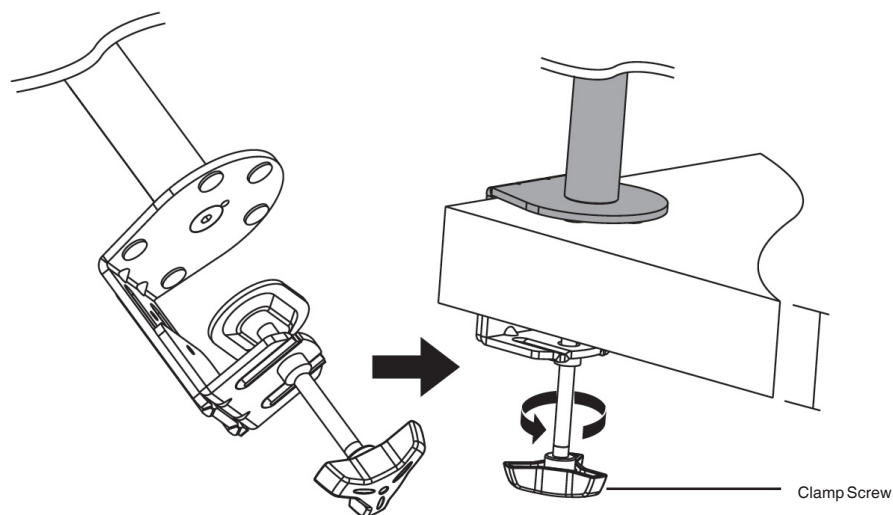


Figure 2

1B) Existing Grommet Hole Installation

If the existing grommet hole comes with a plastic protector, remove it to ensure a flat surface before installing the desk mount. **Important: Do Not** install this desk mount into grommet hole larger than 2.25 inches in diameter.

1. Remove the support plate from the Clamp Screw using a Phillips screwdriver. Remove the the Clamp Screw by turning it counter clockwise, see **Figure 3**.
2. Place the Rubber Pads (F) onto the Upper Grommett Plate (E), see **Figure 4**.
3. Position the Tube Support (B) and Upper Grommet Plate (E) on the mounting surface and secure them using the Lower Grommet Plate (H) and Clamp Screw, see **Figure 5** and **Figure 6**.

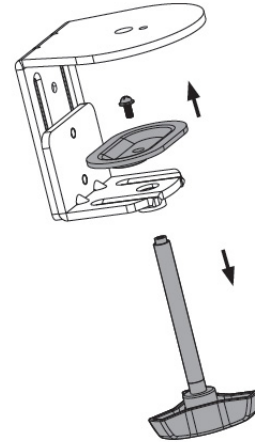


Figure 3

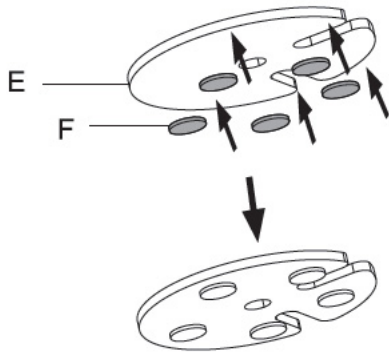


Figure 4

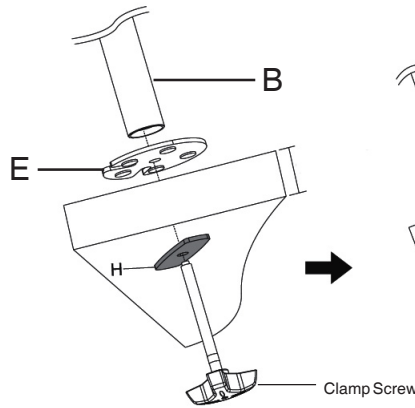


Figure 5

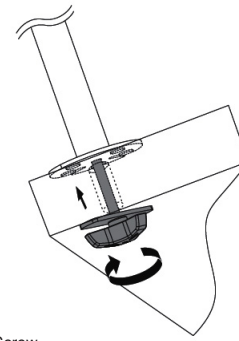


Figure 6

1C) Self Drilled Grommet Hole Installation

1. Position the Tube Support (B) on the mounting surface and mark the center hole. Remove the tube support. Drill a 1/2" (12mm) diameter hole at the marked position through the mounting surface.
2. Remove the support plate from the Clamp Screw using a Phillips screwdriver. Remove the Clamp Screw by turning it counter clockwise, see **Figure 3**.
3. Place the Rubber Pads (F) onto the Upper Grommett Plate (E), see **Figure 4**.
4. Position the Tube Support (B) and Upper Grommet Plate (E) on the mounting surface and secure them using the Lower Grommet Plate (H) and Clamp Screw, see **Figure 5** and **Figure 6**.

2) Mounting Arm Installation

1. Install the Cable Management Clip (D) and VESA Plate with Arm (A) to the Tube Support (B). Tighten the clamp bolt using the 5mm Allen Key (I), see **Figure 7**. **Important:** Install the VESA Plate with Arm with the orientation that the Allen head end of each swivel joint is pointing upwards.

Caution: When installing the VESA Plate with Arm, DO NOT over tighten the clamp bolt. The VESA Plate with Arm is intended to rotate (360 degrees) and is not meant to be attached in a fixed position. Tighten the clamp bolt only tight enough to keep the VESA Plate with Arm at the desired height position. Over tightening the clamp bolt may result in damage to the clamp and/or tube support.

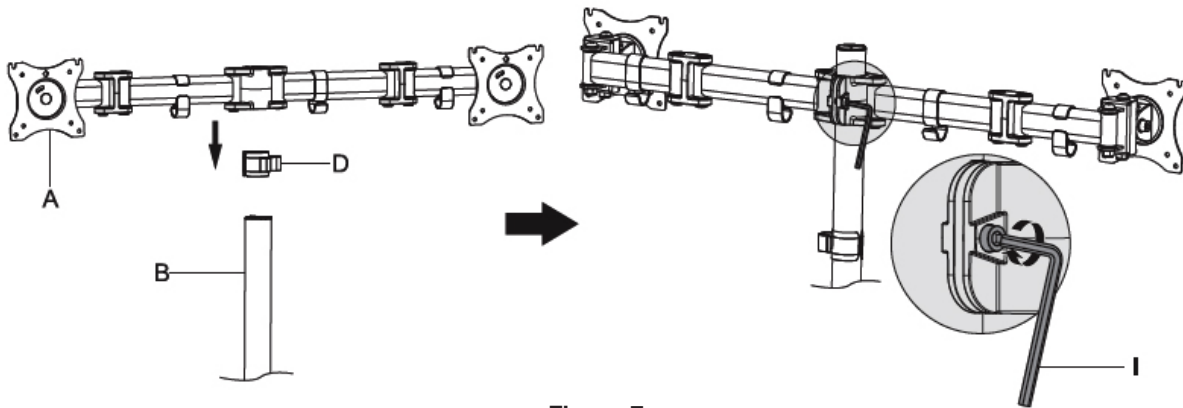


Figure 7

2. Mount the monitors to the VESA plate. Use either M4x12 Bolt (M-A) or M5x12 Bolt (M-B) with Washer (M-C) and tighten them using a Phillips screwdriver, see **Figure 8**.

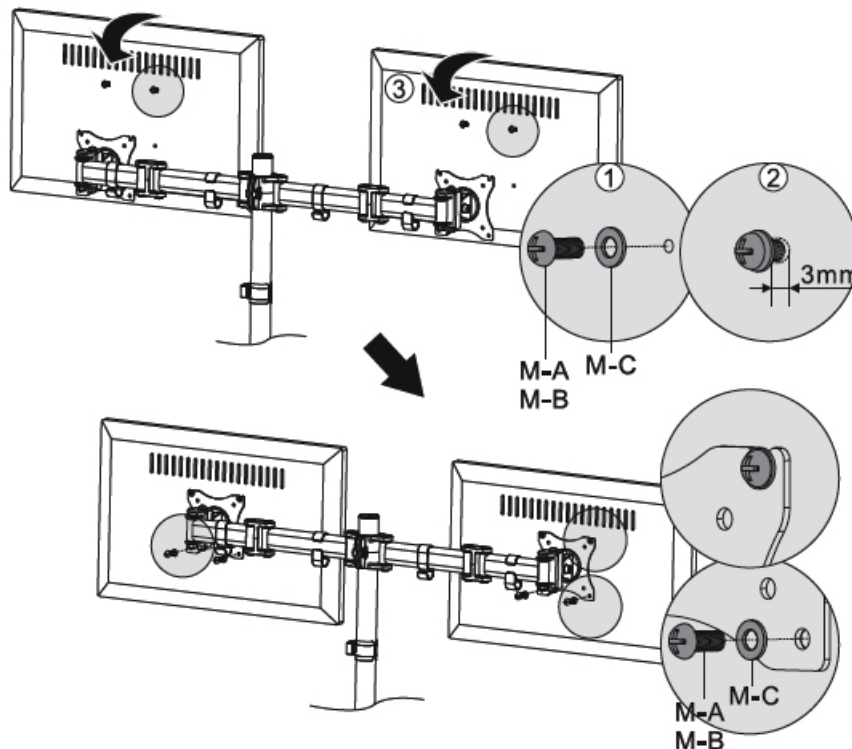


Figure 8

3) Final Installation and Adjustments

1. Adjust the VESA Plate with Arm height. Loosen the clamp bolt using the 5mm Allen Key (I) and move the VESA Plate with Arm to the desired viewing position. Tighten the clamp bolt to secure the VESA Plate with Arm, see **Figure 9**.

Caution: DO NOT over tighten the clamp bolt. The VESA Plate with Arm is intended to rotate (360 degrees) and is not meant to be attached in a fixed position. Tighten the clamp bolt only tight enough to keep the VESA Plate with Arm at the desired height position. Over tightening the clamp bolt may result in damage to the clamp and/or tube support.

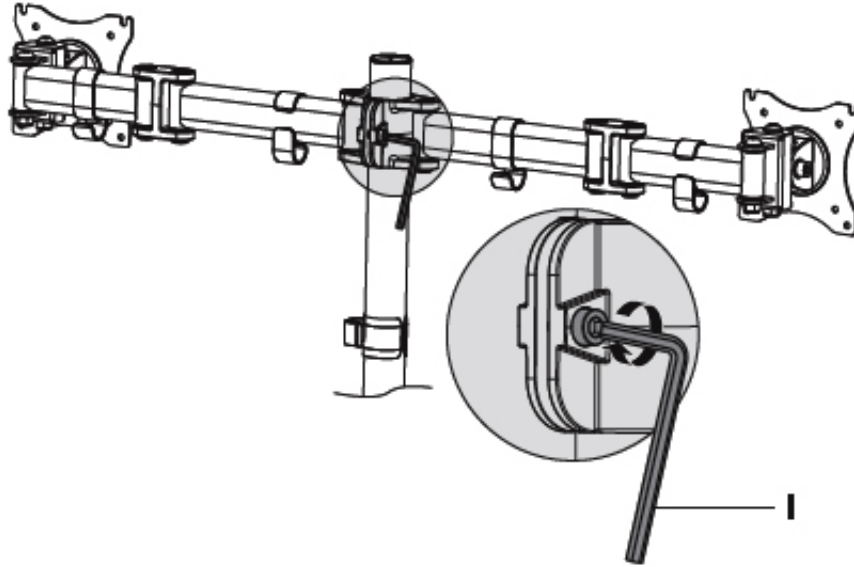


Figure 9

2. Adjust the monitor tilt angle. If the monitor does not stay at the desired position, use the 6mm Allen Key (J) to tighten the Vesa Plate bolt, see **Figure 10a** and **Figure 10b**.

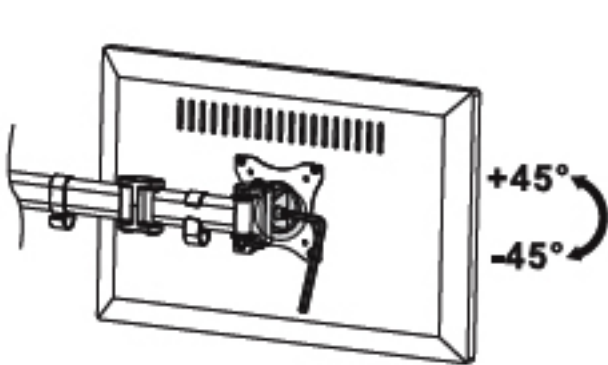


Figure 10a

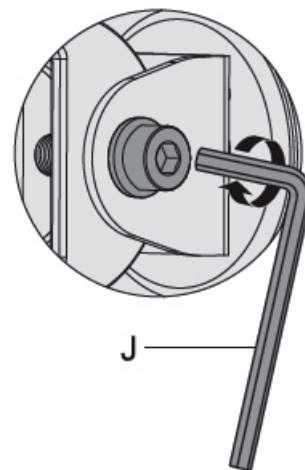


Figure 10b

3. Adjust the height of the monitors. Turn the fine tune height adjustment screw using the 5mm Allen Key (I). Arrange the cables through the cable management clips, see **Figure 11**.

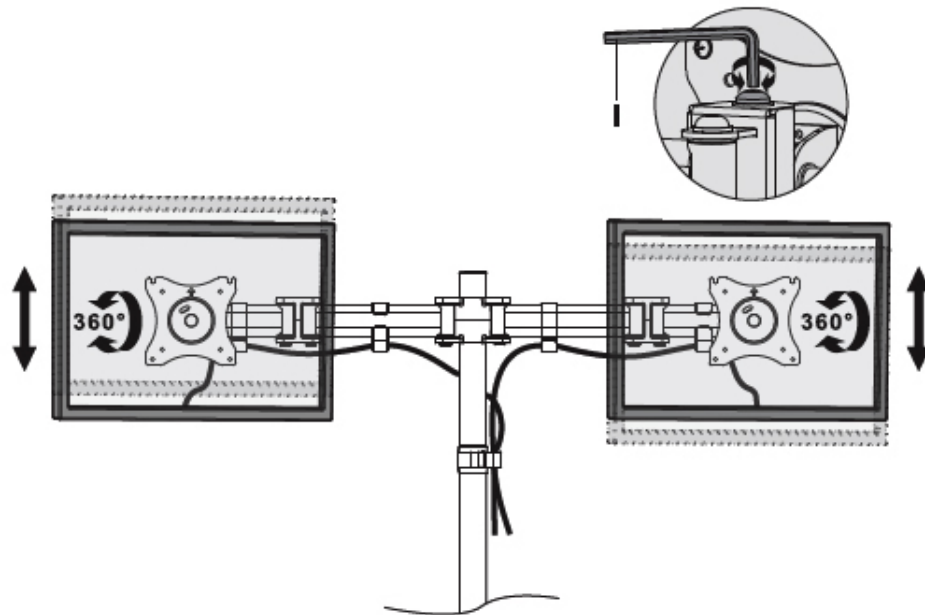


Figure 11

4. Place the Allen Keys (I, J) into the plastic clip, see **Figure 12**.

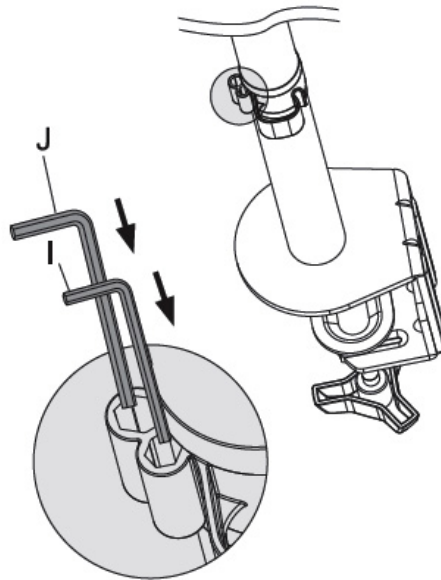


Figure 12

Maintenance

Check the mounting screws every two months for tightness.

Technical Support and Warranty

QUESTIONS? SIIG's **Online Support** has answers! Simply visit our web site at www.siig.com and click **Support**. Our online support database is updated daily with new drivers and solutions. Answers to your questions could be just a few clicks away. You can also submit questions online and a technical support analyst will promptly respond.

SIIG offers a 3-year manufacturer warranty with this product. This warranty covers the original purchaser and guarantees the product to be free of any defects in materials or workmanship for three (3) years from the date of purchase of the product. This warranty is not transferable and is available only to the original purchaser of the product.

SIIG will, at our discretion, repair or replace (with an identical product or product having similar features and functionality) the product if defective in materials or workmanship. This warranty gives you specific legal rights, and you may also have other rights which vary from state to state. Please see our web site for more warranty details.

If you encounter any problems with this product, please follow the procedures below.

- A) If it is within the store's return policy period, please return the product to the store where you purchased it.
- B) If your purchase has passed the store's return policy period, please follow these steps to have the product repaired or replaced.

Step 1: Submit your RMA request. Go to www.siig.com, click **Support**, then **Request A Product Replacement** to submit a request to [SIIG RMA](#) or fax a request to 510-657-5962. Your RMA request will be processed, if the product is determined to be defective, an RMA number will be issued.

Step 2: After obtaining an RMA number, ship the product.

- Properly pack the product for shipping. All software, cable(s) and any other accessories that came with the original package must be included
- Include a copy of your original sales receipt inside the package with the date of purchase and place of purchase circled and clearly visible
- Clearly write your RMA number on the top of the returned package. SIIG will refuse to accept any shipping package, and will not be responsible for a product returned without an RMA number posted on the outside of the shipping carton
- You are responsible for the cost of shipping to SIIG. Ship the product to the following address:

SIIG, Inc.
6078 Stewart Avenue
Fremont, CA 94538-3152, USA
RMA #: _____

- SIIG will ship the repaired or replaced product via Ground in the U.S. and International Economy outside of the U.S. at no cost to the customer

About SIIG, Inc.

Founded in 1985, SIIG, Inc. is a leading manufacturer of IT connectivity solutions (including Serial ATA and Ultra ATA Controllers, FireWire, USB, and legacy I/O adapters) that bridge the connection between Desktop/Notebook systems and external peripherals. SIIG continues to grow by adding A/V and Digital Signage connectivity solutions to our extensive portfolio. All centered around the distribution and switching of A/V signals over CAT5/6, these products include matrix switches, distribution amplifiers, extenders, converters, splitters, cabling, and more.

SIIG is the premier one-stop source of upgrades and is committed to providing high quality products while keeping economical and competitive prices. High-quality control standards are evident by one of the lowest defective return rates in the industry. Our products offer comprehensive user manuals, user-friendly features and are backed by an extensive manufacturer warranty.

SIIG products can be found in many computer retail stores, mail order catalogs, and e-commerce sites in the Americas, as well as through major distributors, system integrators, and VARs.

<p>PRODUCT NAME</p>

<p>Dual Monitor Articulating Desk Mount - 13" to 27"</p>
--

Dual Monitor Articulating Desk Mount - 13" to 27" is a trademark of SIIG, Inc. SIIG and the SIIG logo are registered trademarks of SIIG, Inc. All other names used in this publication are for identification only and may be trademarks of their respective owners.