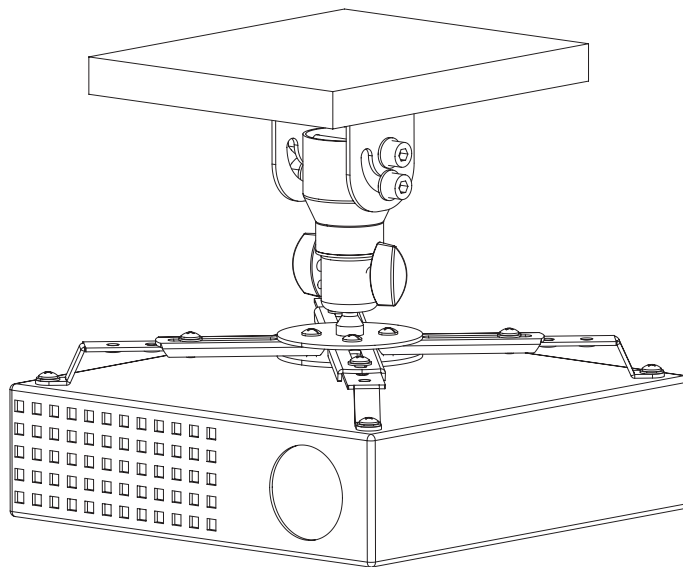


Universal Projector Ceiling Mount - Black

Installation Instructions



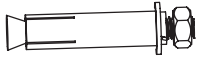
Important Safety Information

- Use proper safety equipment during installation
- If you don't understand the installation instructions, have any doubts about the safety of the installation, or are uncertain about the nature of your wall, please consult an installation specialist
- Do not use this product for any purpose or in any configuration not explicitly specified in these instructions
- SIIG, Inc. is NOT RESPONSIBLE for any damage or injury caused by incorrect installation, assembly or use

Unpacking

- Carefully remove contents and lay out on cardboard or other protective surface
- Check package contents against the parts list to ensure that all components were received undamaged. Do not use damaged or defective parts
- Carefully read all instructions before attempting installation

Parts List



a - (4x) M8x60 Metal anchor



b - (1x) Plastic washer



c - (4x) M3 flat washer



d - (4x) M4 flat washer



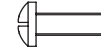
e - (4x) M5 flat washer



f - (4x) M3 x 10 Bolt



g - (4x) M4 x 10 Bolt



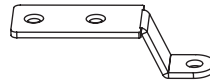
h - (4x) M5 x 10 Bolt



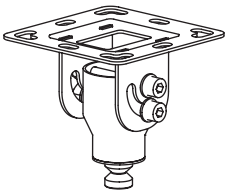
i - (1x) Allen Wrench



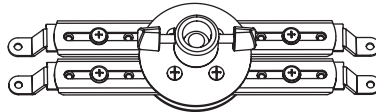
j - (1x) Spanner (S=13)



k - (4x) Short joining patch



l - (1x) Ceiling plate



m - (4x) Mounting legs

Installation

Caution: This projector mount must be securely attached to ceiling. If the mount is not properly installed it may fall, resulting in possible injury and/or damage. SIIG, Inc. is **NOT RESPONSIBLE** for any damage or injury caused by incorrect installation, assembly or use

Note: The mounting components and hardware supplied in this package are not designed for installations to ceilings with steel studs. If the hardware you need for your installation is not included, please consult your local hardware store for proper mounting hardware for the application.

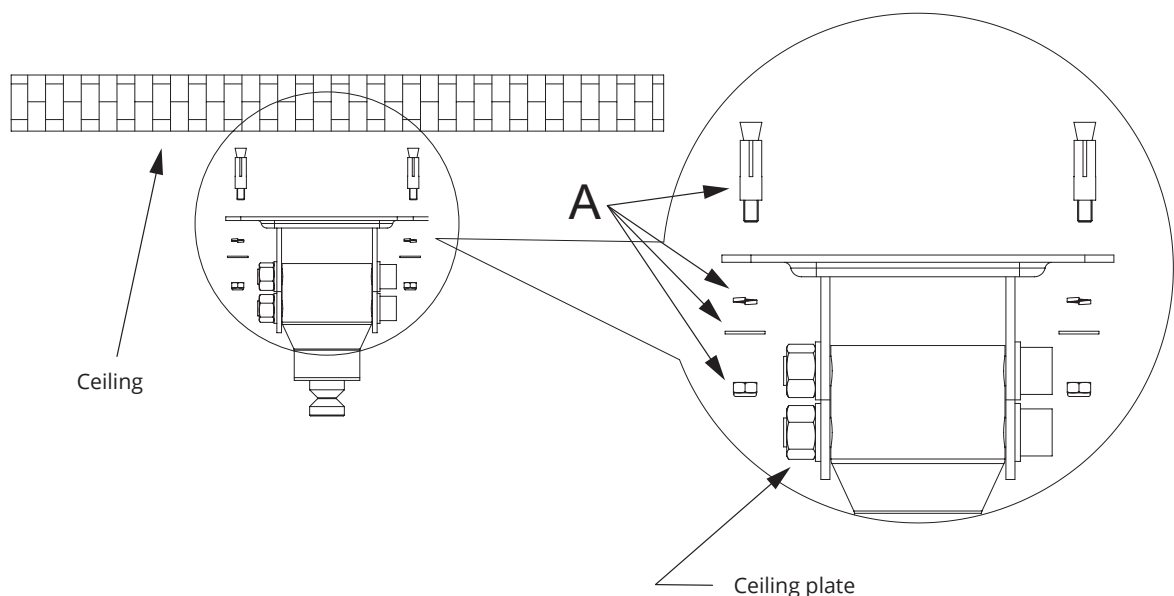
Step 1 - Installing the Ceiling plate to Ceiling

Important: Don't loosen the two side nuts at the same time after finishing the installation for fear that the mount drops.

1. Place the Ceiling plate in the desired position on the ceiling, using the mounting plate as a template mark 4 holes, then remove the Ceiling Plate.
2. Using a 10mm drill bit drill 4 holes 50mm deep in the marked positions. **Note:** The holes should be drilled symmetrical in horizontal and vertical direction.
3. Insert four metal anchors into the drilled holes until flush with the ceiling, then tighten the nut slightly to secure the steel anchor to the ceiling. Remove the flat washers, spring washers and nuts from the steel anchors.
4. Place the mounting plate on the four metal anchors, and install the flat washers, spring washers and nuts and tighten them until hand tight.

Note: Each nut should be tightened so the steel anchor and the ceiling plate are securely fastened to the ceiling, do not over tighten.

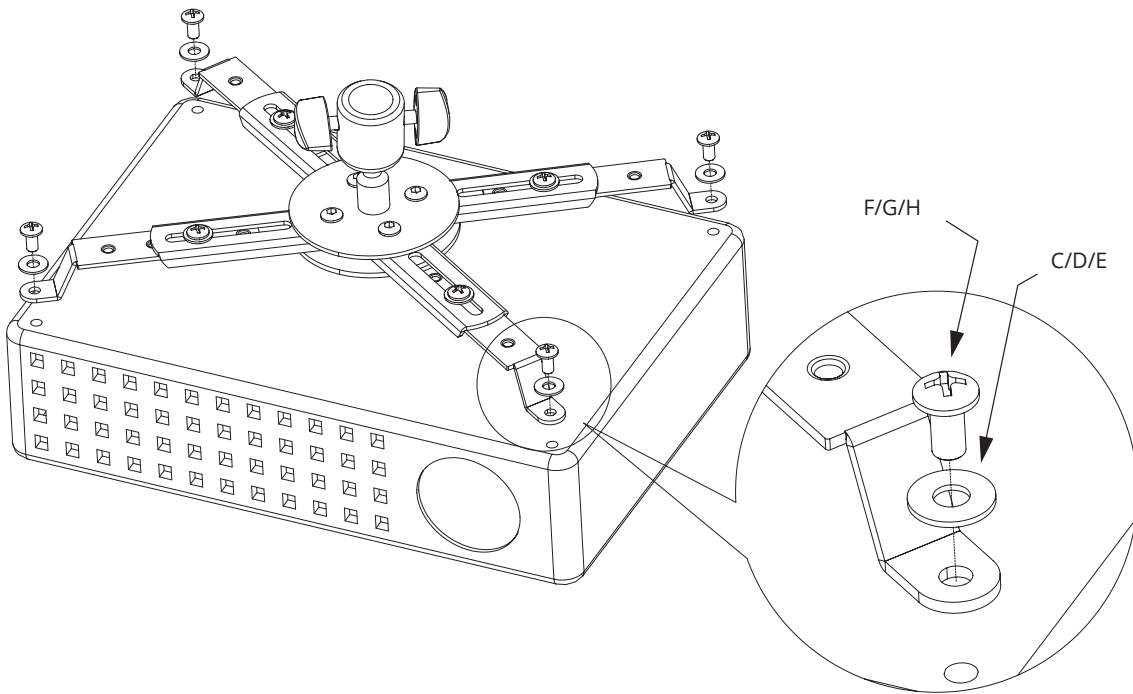
Figure 1



Step 2 - Installing the Mounting Legs on the Projector

1. When installing the mounting legs to the projector, the four Z-shaped connecting arms should be adjusted to match the mounting holes on the the projector.
2. Select the mounting screws according to the size of the thread holes in the projector, place the projector as close to the center of gravity as possible.
3. Once all screws are in place, tighten them using a Phillips screwdriver until hand tight, do not overtighten.

Figure 2

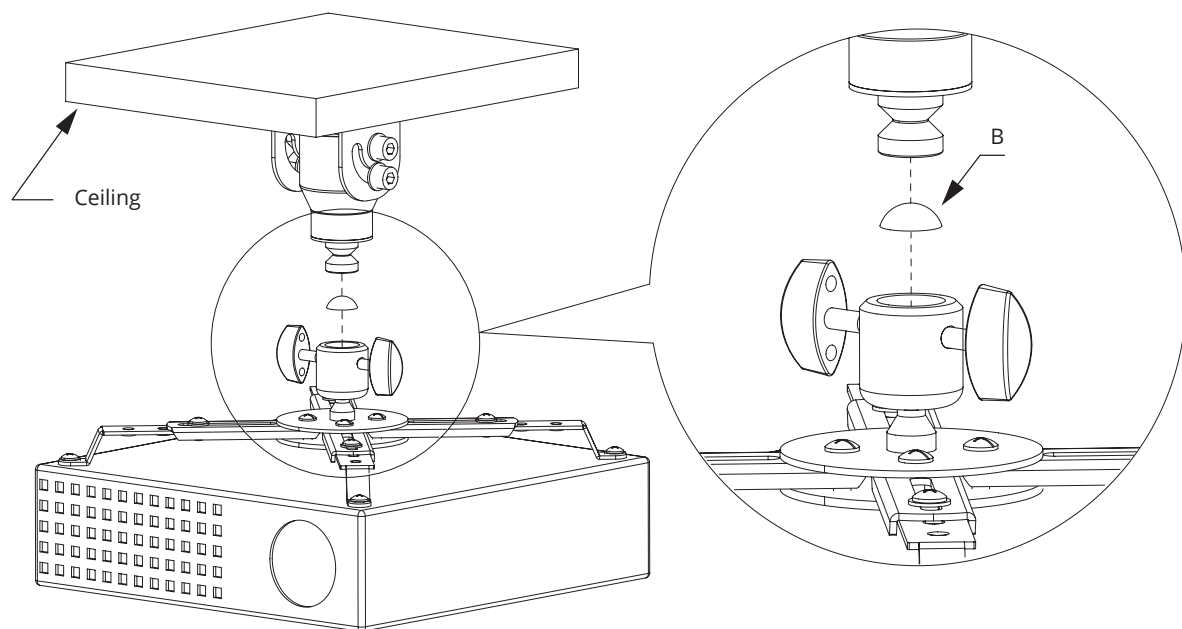


Step 3 - Connecting the Projector Plate to the Ceiling plate

Important: Don't loosen the two side knobs at the same time for fear that the mount drops.

1. Loosen the 2 knobs on the sides of the projector plate first, don't remove the knobs completely from the projector plate.
2. Put the Plastic Washer (B) into the mounting leg as shown, the plastic washer allows for smooth tilt and rotation of the projector.
3. Mount the projector plate to the ceiling plate and tighten the two knobs hand tight to secure it.

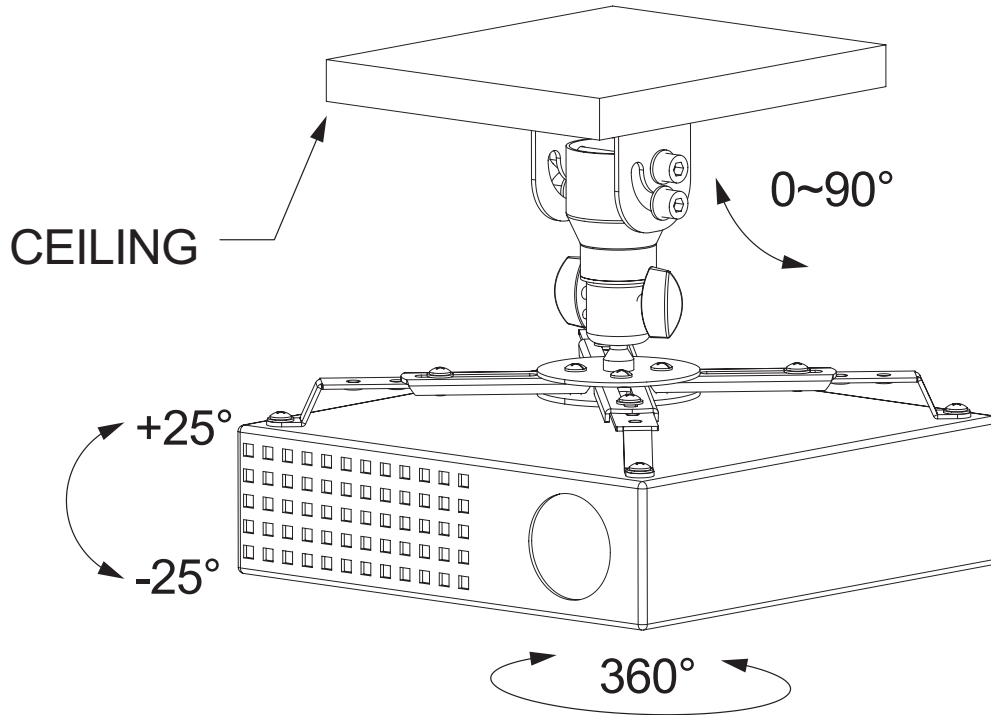
Figure 3



Step 4 - Final Installation and Adjustment

Adjust the angle and direction of the projector by firmly grasping the projector with both hands and slowly tilting it forward, backward, side-to-side, and rotate.

Figure 4



Blank Page

Technical Support and Warranty

QUESTIONS? SIIG's **Online Support** has answers! Simply visit our web site at www.siig.com and click **Support**. Our online support database is updated daily with new drivers and solutions. Answers to your questions could be just a few clicks away. You can also submit questions online and a technical support analyst will promptly respond.

SIIG offers a 3-year manufacturer warranty with this product. This warranty covers the original purchaser and guarantees the product to be free of any defects in materials or workmanship for three (3) years from the date of purchase of the product.

SIIG will, at our discretion, repair or replace (with an identical product or product having similar features and functionality) the product if defective in materials or workmanship. This warranty gives you specific legal rights, and you may also have other rights which vary from state to state. Please see our web site for more warranty details.

If you encounter any problems with this product, please follow the procedures below.

A) If it is within the store's return policy period, please return the product to the store where you purchased from.

B) If your purchase has passed the store's return policy period, please follow the steps below to have the product repaired or replaced.

Step 1: Submit your RMA request.

Go to www.siig.com, click **Support**, then **REQUEST A PRODUCT REPLACEMENT** to submit a request to [SIIG RMA](#) or fax a request to 510-657-5962. Your RMA request will be processed, if the product is determined to be defective, an RMA number will be issued.

Step 2: After obtaining an RMA number, ship the product.

- Properly pack the product for shipping. All accessories that came with the original package must be included.
- Clearly write your RMA number on the top of the returned package. SIIG will refuse to accept any shipping package, and will not be responsible for a product returned without an RMA number posted on the outside of the shipping carton.
- You are responsible for the cost of shipping to SIIG. Ship the product to the following address:

SIIG, Inc.

6078 Stewart Avenue

Fremont, CA 94538-3152, USA

RMA #: _____

- SIIG will ship the repaired or replaced product via Ground in the U.S. and International Economy outside of the U.S. at no cost to the customer.

About SIIG, Inc.

Founded in 1985, SIIG, Inc. is a leading manufacturer of IT connectivity solutions (including Serial ATA and Ultra ATA Controllers, FireWire, USB, and legacy I/O adapters) that bridge the connection between Desktop/Notebook systems and external peripherals. SIIG continues to grow by adding A/V and Digital Signage connectivity solutions to our extensive portfolio.

SIIG products offer comprehensive user manuals, many user-friendly features, and are backed by an extensive manufacturer warranty. High quality control standards are evident by the overall ease of installation and compatibility of our products, as well as one of the lowest defective return rates in the industry. SIIG products can be found in computer retail stores, mail order catalogs, through major distributors, system integrators, and VARs in the Americas and the UK, and through e-commerce sites.

<p>PRODUCT NAME</p>

<p>Universal Projector Ceiling Mount - Black</p>
--

Universal Projector Ceiling Mount - Black is a trademark of SIIG, Inc. SIIG and the SIIG logo are registered trademarks of SIIG, Inc. All other names used in this publication are for identification only and may be trademarks of their respective owners.