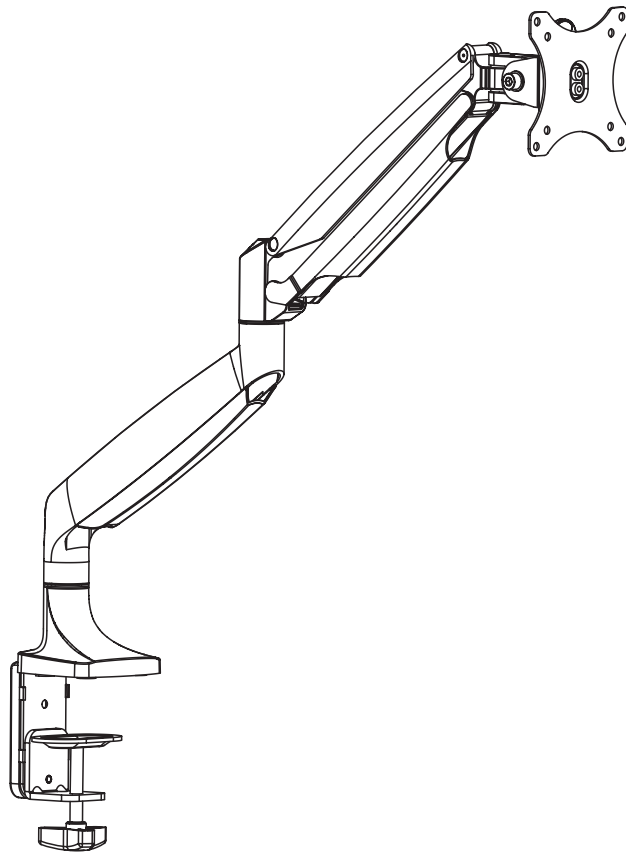


# High Premium Aluminum Gas Spring Desk Mount - Single

## Installation Instructions



## Unpacking

---

- Carefully remove the contents and lay them out on cardboard or other protective surface
- Check package contents against the parts list to ensure that all components are received undamaged. Do not use damaged or defective parts
- Carefully read all instructions before attempting installation

## Safety Information

---

- Use proper safety equipment during installation
- If you don't understand the installation instructions, please consult an installation specialist
- This mount contains small parts which can act as a choking hazard if swallowed
- Do not use this product for any purpose or in any configuration not explicitly specified in these instructions

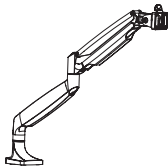
## Tools Required

---

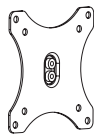
- Phillips and flat head screwdriver
- 3/8" drill bit and electric drill (for grommet hole installation)
- Ratchet set or adjustable wrench

## Parts List

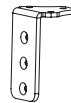
---



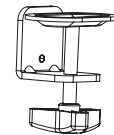
(1x) Extension Arm (A)



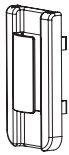
(1x) VESA Plate (B)



(1x) C-Clamp Brace (C)



(1x) C-Clamp (D)



(1x) Decorative Cap (E)



(1x) Grommet Bolt (F)



(5x) Bolt (G)



(1x) Grommet Plate (H)



(1x) Grommet Clamp (I)



(1x) Wing Nut (J)



(2x) Protective Pad (K)



(1x) 4mm Allen Key (L)



(1x) 6mm Allen Key (M)



(4x) M4x12 Bolt (M-A)



(4x) M5x12 Bolt (M-B)



(4x) Washer (M-C)

## Installation

**Caution:** This desk mount must be securely attached to the horizontal desktop. If the mount is not properly installed it may fall, resulting in bodily injury and/or property damage.

### 1A) C-Clamp Installation

1. Install the C-Clamp Brace (C) to the Extension Arm (A), secure them using Bolt (G) with Allen Key (L) turning clockwise until tight, see Figure 1.
2. Install Protective Pad (K) to cover the bolt, see Figure 2.
3. Install the C-Clamp (D) to the C-Clamp Brace (C) according to the thickness of your desktop.
  - a) Desktops of 10mm-55mm thickness: Select the two upper mounting holes and secure them using Bolt (G) with Allen Key (L) turning clockwise until tight, see Figure 3A
  - b) Desktops of 50mm-85mm thickness: Select the two lower mounting holes and secure them using Bolt (G) with Allen Key (L) turning clockwise until tight, see Figure 3B.
4. Install the Decorative Cap (E) to the C-Clamp Brace, see Figure 3C.
5. Position the Arm Assembly to the desktop. Loosen the clamp screw according to the thickness of the desktop. Tighten the C-Clamp to the desktop by turning the clamp screw clockwise, see Figure 4.

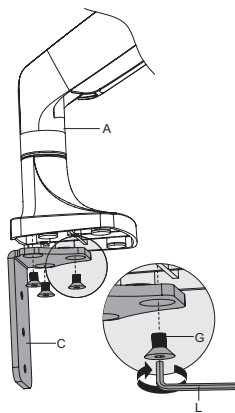


Figure 1

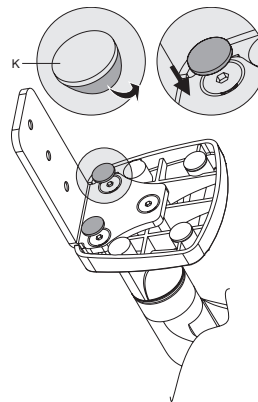


Figure 2

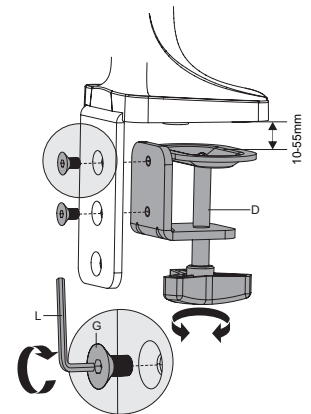


Figure 3A

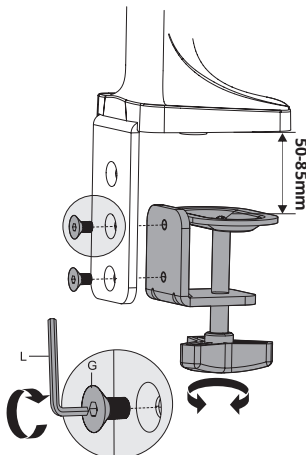


Figure 3B

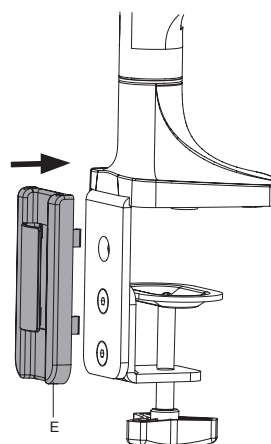


Figure 3C

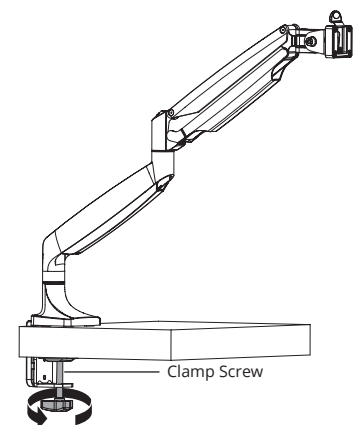


Figure 4

## 1B) Grommet Hole Installation

This installation requires you to either drill a 3/8" (10mm) diameter hole through the desktop or use an existing grommet hole (2.25" diameter max). **Note:** If the existing grommet hole comes with a plastic protector, remove it to ensure a flat surface before installing the Extension Arm.

1. Insert the Grommet Bolt (F) into the Grommet Plate (H), see Figure 5
2. Attach the Grommet Plate (H) to the Extension Arm (A), secure them using Bolt (G) with Allen Key (L) turning clockwise until tight, see Figure 5.
3. Install the Protective Pad (K) to cover the bolt, see Figure 6.
4. Position the Arm Assembly onto the desktop, secure it using the Grommet Clamp (I) and Wing Nut (J), see Figure 7. **Warning:** Carefully screw the Wing Nut to prevent cross-threading and damage to the grommet bolt.
5. Tighten the grommet mount to the desktop by turning the Wing Nut (J) clockwise, see Figure 8.

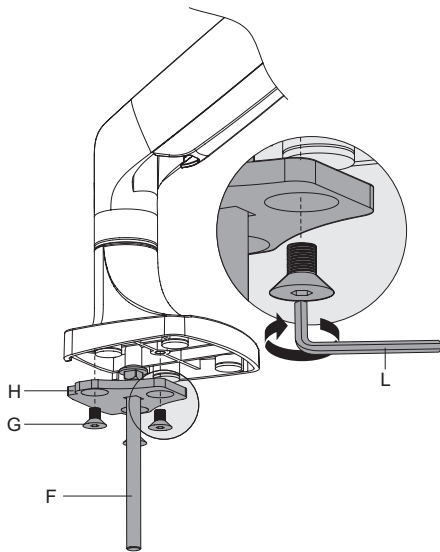


Figure 5

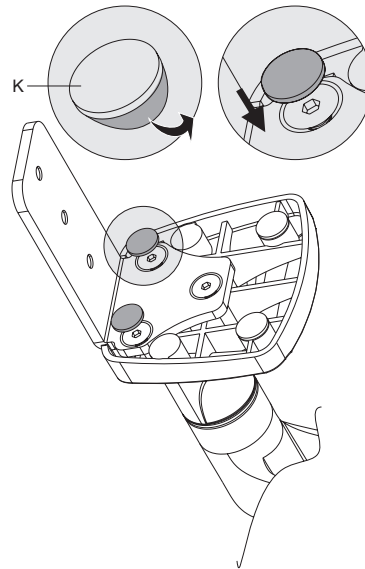


Figure 6

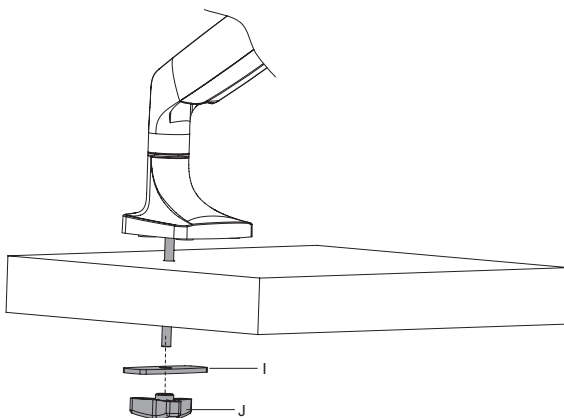


Figure 7

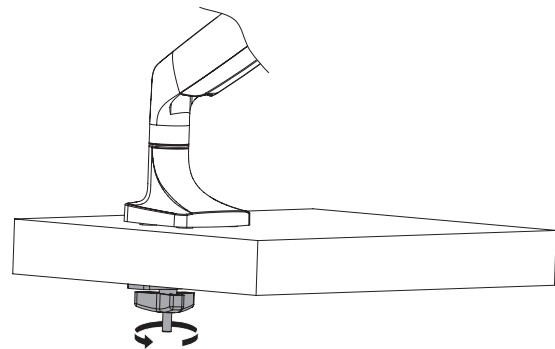


Figure 8

### Mounting the Monitor to the VESA Plate and Extension Arm

- 1. Turn the VESA Plate so that "TOP" faces up, then mount it onto the monitor, see Figure 9.
- 2. Install Washer (M-C) with either M4x12 Bolt (M-A) or M5x12 Bolt (M-B) into the monitor's mounting holes, tighten them using a Phillips screwdriver, see Figure 9.

**Note:** When assembling/disassembling the monitor, the spring arm rebound tension may cause serious personal injury if not handled correctly.

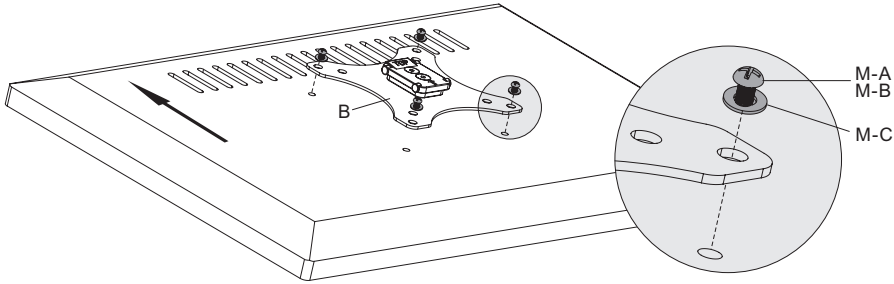


Figure 9

- 3. Push the tab back and mount the VESA Plate onto the Extension Arm, see Figure 10.

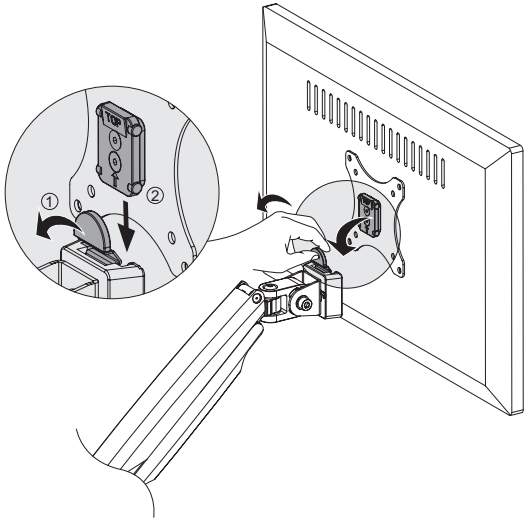


Figure 10

## Final Adjustments and Arranging the Cables

### Gas Spring, Monitor Tilt and Swivel Adjustment

1. Adjust the tension of the gas spring using a 6mm Allen Key (M), turn the screw counter clockwise to increase the tension and clockwise to decrease the tension, see Figure 11.
2. Adjust tightness of the Monitor Tilt and Swivel using a 6mm Allen Key, see Figure 11.

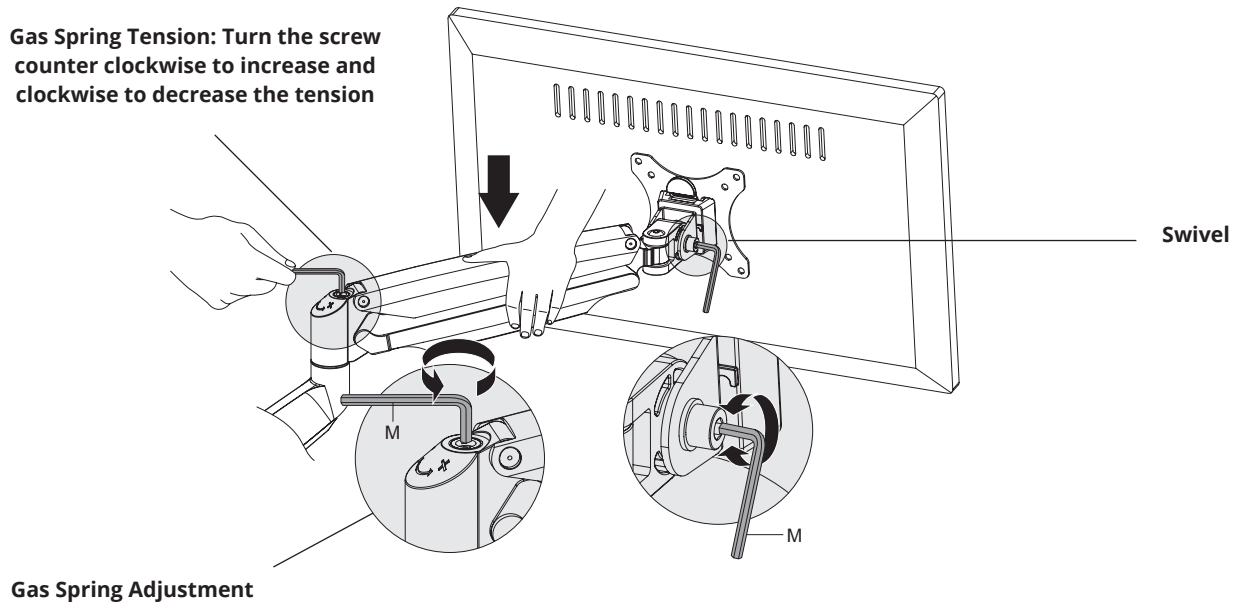


Figure 11

### Arrange the Cables into the Cable Covers

1. Remove the cable covers from the mounting arms, see Figure 12.
2. Arrange the cables into the covers and place the covers back onto the arms, see Figure 13.

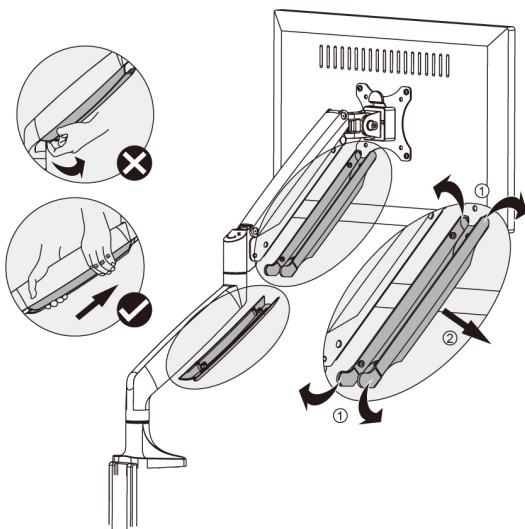


Figure 12

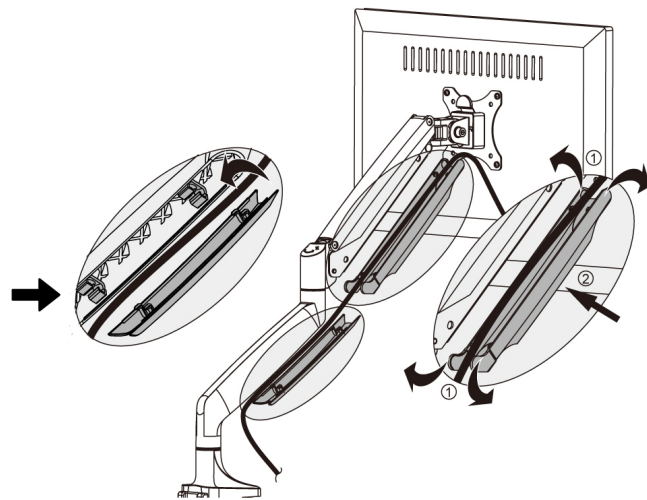


Figure 13

### Adjust the Monitor to the Desired Viewing Angle

This desk mount allows virtually limitless viewing angles. It can move (left and right, up and down), tilt, swivel and rotate, see Figure 14.

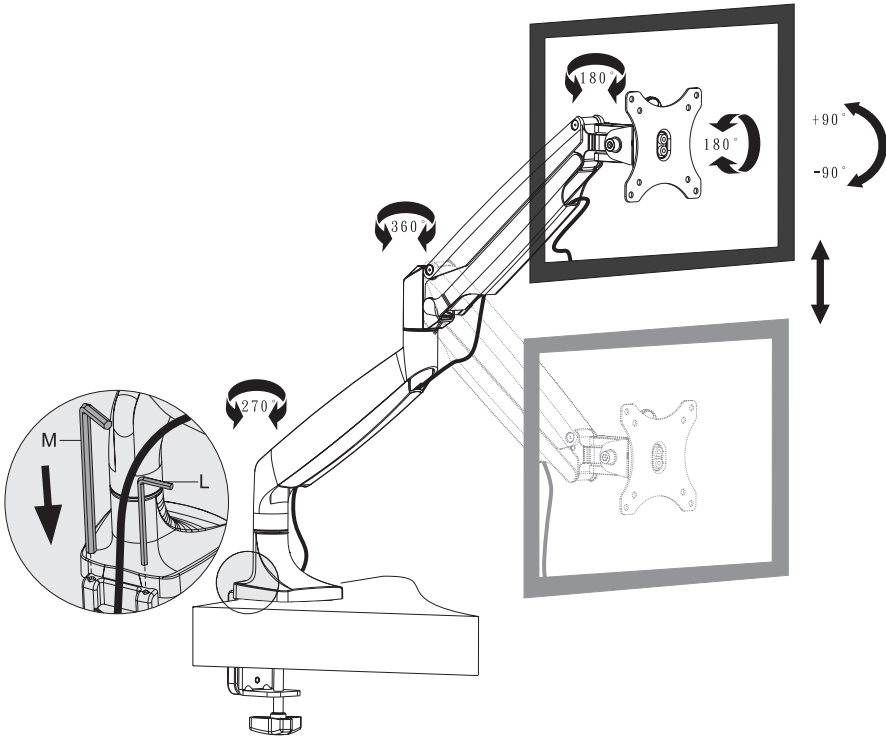


Figure 14

### Maintenance

---

Check the mounting hardware every two months for tightness.

## Technical Support and Warranty

---

**QUESTIONS?** SIIG's **Online Support** has answers! Simply visit our web site at [www.siig.com](http://www.siig.com) and click **Support**. Our online support database is updated daily with new drivers and solutions. Answers to your questions could be just a few clicks away. You can also submit questions online and a technical support analyst will promptly respond.

SIIG offers a 2-year manufacturer warranty with this product. This warranty covers the original purchaser and guarantees the product to be free of any defects in materials or workmanship for two (2) years from the date of purchase of the product. This warranty is not transferable and is available only to the original purchaser of the product.

SIIG will, at our discretion, repair or replace (with an identical product or product having similar features and functionality) the product if defective in materials or workmanship. This warranty gives you specific legal rights, and you may also have other rights which vary from state to state. Please see our web site for more warranty details.

If you encounter any problems with this product, please follow the procedures below.

A) If it is within the store's return policy period, please return the product to the store where you purchased from.

B) If your purchase has passed the store's return policy period, please follow the steps below to have the product repaired or replaced.

**Step 1:** Submit your RMA request.

Go to [www.siig.com](http://www.siig.com), click **Support**, then **Request A Product Replacement** to submit a request to [SIIG RMA](#) or fax a request to 510-657-5962. Your RMA request will be processed, if the product is determined to be defective, an RMA number will be issued.

**Step 2:** After obtaining an RMA number, ship the product.

- Properly pack the product for shipping. All accessories that came with the original package must be included.
- Clearly write your RMA number on the top of the returned package. SIIG will refuse to accept any shipping package, and will not be responsible for a product returned without an RMA number posted on the outside of the shipping carton.
- You are responsible for the cost of shipping to SIIG. Ship the product to the following address:

**SIIG, Inc.**

**6078 Stewart Avenue**

**Fremont, CA 94538-3152, USA**

**RMA #:** \_\_\_\_\_

- SIIG will ship the repaired or replaced product via Ground in the U.S. and International Economy outside of the U.S. at no cost to the customer.

## About SIIG, Inc.

---

Founded in 1985, SIIG, Inc. is a leading manufacturer of IT connectivity solutions (including Serial ATA and Ultra ATA Controllers, FireWire, USB, and legacy I/O adapters) that bridge the connection between Desktop/Notebook systems and external peripherals. SIIG continues to grow by adding A/V and Digital Signage connectivity solutions to our extensive portfolio. All centered around the distribution and switching of A/V signals over CAT5/6, these products include matrix switches, distribution amplifiers, extenders, converters, splitters, cabling, and more.

SIIG is the premier one-stop source of upgrades and is committed to providing high quality products while keeping economical and competitive prices. High-quality control standards are evident by one of the lowest defective return rates in the industry. Our products offer comprehensive user manuals, user-friendly features, and most products are backed by a lifetime warranty.

SIIG products can be found in many computer retail stores, mail order catalogs, and e-commerce sites in the Americas, as well as through major distributors, system integrators, and VARs.

<p style="text-align: center;"><b>PRODUCT NAME</b></p>
--

<p style="text-align: center;">High Premium Aluminum Gas Spring Desk Mount - Single</p>
---

High Premium Aluminum Gas Spring Desk Mount - Single is a trademark of SIIG, Inc. SIIG and the SIIG logo are registered trademarks of SIIG, Inc. All other names used in this publication are for identification only and may be trademarks of their respective owners.