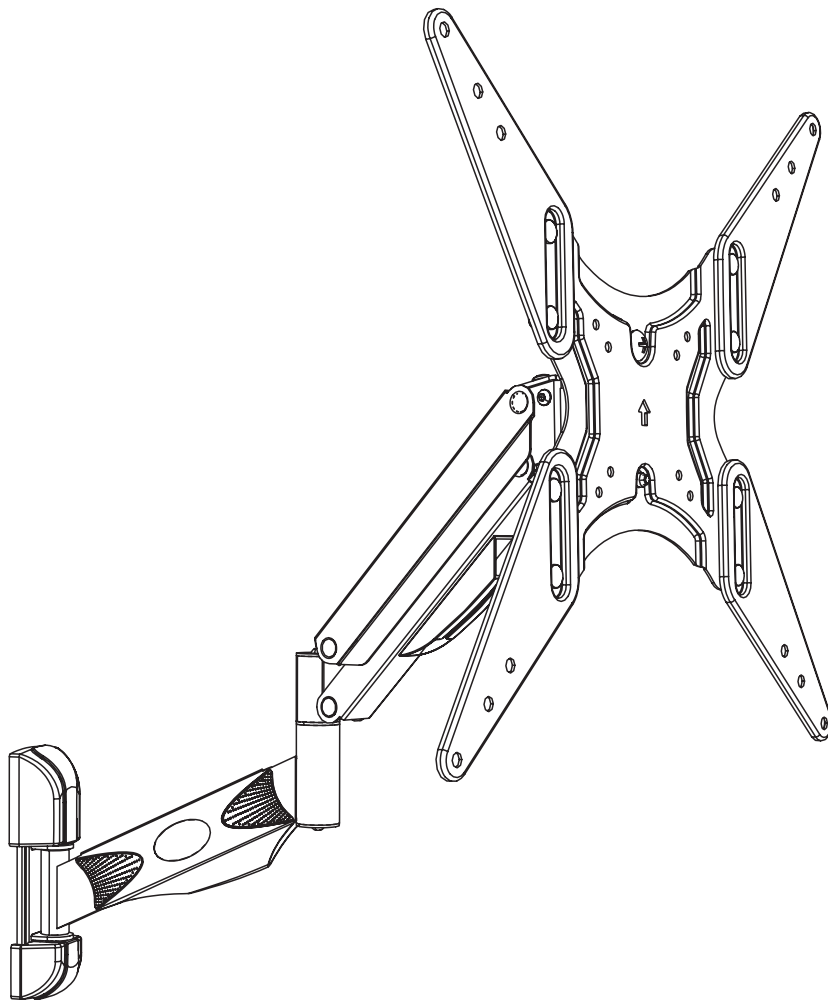


# Full Motion Gas Spring TV Wall Mount - 24" to 55"

## Installation Instructions



## **Caution**

---

- Prior to installation of this product, the installation instructions should be read and completely understood. The installation instructions must be read to prevent personal injury and property damage. Keep these installation instructions in an easily accessible location for future reference.
- The maximum load capacity is 48.5lbs (22kg). Use with products exceeding the maximum load capacity may cause serious injury. See apparatus instructions.
- Recommended mounting surfaces: wood stud and solid-flat concrete/brick. If the mount is to be installed on any surface other than wood studs or solid concrete/brick, use suitable hardware (not included but commercially available).
- Do not install on a structure that is prone to vibration, movement or chance of impact. Failure to do so could result in damage to the display and/or damage to the mounting surface.
- Do not install near heater, fireplace, air conditioning, in direct sunlight or any other heat producing source. Failure to do so may result in damage to the display and could increase the risk of fire.
- The wall structure must be capable of supporting at least five (5) times the maximum load capacity as indicated. If not, the wall must be reinforced.
- Proper installation procedure by yourself or a qualified service technician, as outlined in the installation instructions, must be adhered to. Failure to do so could result in serious personal injury.
- When mounting to a wall that contains wood studs, confirm the dead center of the wood stud prior to installation.
- It is recommended that two people perform the installation. Personal injury and/or property damage can result from dropping or mishandling the display.

## **Unpacking**

---

- Carefully remove the contents and lay them out on cardboard or other protective surface
- Check package contents against the parts list to ensure that all components were received and undamaged. Do not use damaged or defective parts
- Carefully read all instructions before attempting the installation

## Safety Information

---

- Use proper safety equipment during installation
- If you don't understand the installation instructions, please consult an installation specialist
- This stand contains small parts which can act as a choking hazard if swallowed
- Do not use this product for any purpose or in any configuration not explicitly specified in these instructions

## Tools Required

---

- Phillips screwdriver
- Allen Key
- Adjustable wrench
- Stud Finder
- Electric drill
- 3/16" drill bit (wood stud installation)
- 3/8" masonry drill bit, hammer (concrete/brick installation)

## Parts List

---



A1 - (3x) M8 Screw



A2 - (3x) M8 Concrete Anchor



A3 - (3x) M8 Washer



B1 - (4x) M6 Washer



B2 - (1x) Bubble level



C - (4x) M6x12mm Bolt



D - (4x) M8x15mm Bolt



E - (4x) M4x12mm Bolt



a - (8x) Nut



b - (8x) Washer



c - (8x) Bolt

## Installation

### Step 1A - Wood Stud Installation

1. Use a high quality Stud Finder (commercially available) to locate dead center of a wood stud and mark the location with a pencil, see **Figure 1**.
2. Hold the wall mount to the wall, line up the mounting holes to dead center of the wood stud, use the included **Bubble Level (B2)** to verify the wall mount is level, and mark the locations to be used for mounting the wall mount to the wall, see **Figure 2**.
3. Take down the wall mount and drill a 2 inch (50mm) deep hole, using a 3/16 inch (3mm) drill bit, at the positions you've marked.
4. Place the wall mount back onto the wall over the drilled holes, use the bubble level to verify the wall mount is level.
5. Insert **Screw (A1)** with **Washer (A3)** into the drilled holes and tighten them with a Phillips screwdriver by turning clockwise until fully tight, see **Figure 2**.

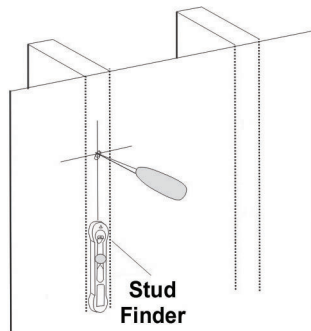


Figure 1

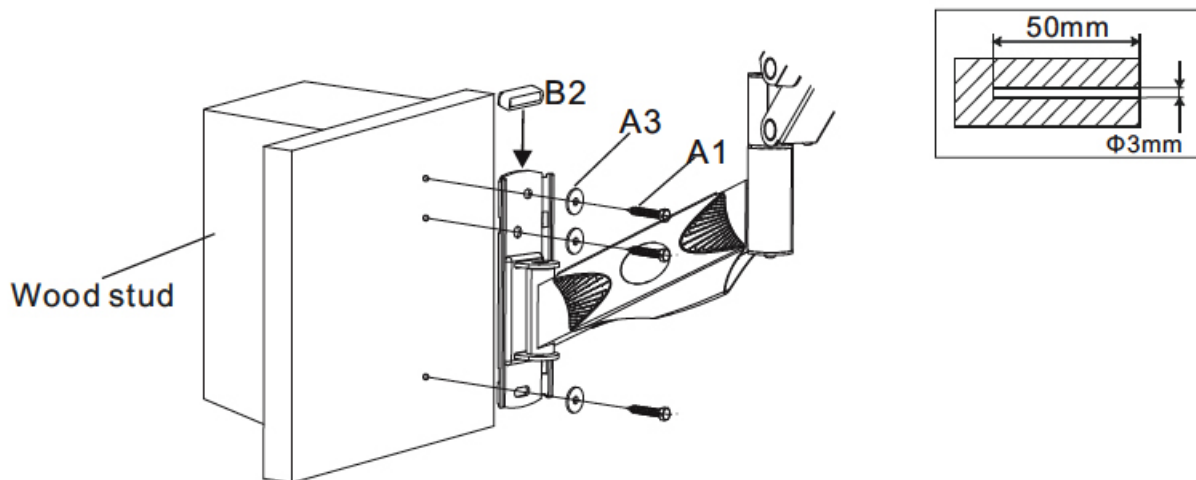


Figure 2

## Step 1B - Concrete / Brick Installation

1. Place the wall mount onto the wall in the desired mounting location, use the included **Bubble Level (B2)** to ensure the wall mount is level, see **Figure 3**.
2. Mark the locations to be used for securing the wall mount to the wall, and place the wall mount aside, see **Figure 3**. **Note:** Locate the holes directly into the concrete or brick, never into the mortar between the blocks.
3. Drill a 2 inch (50mm) deep hole, using a 3/8 inch (10mm) masonry drill bit, at the positions you've marked.
4. Insert a **Concrete Anchor (A2)** into each hole, see **Figure 3**.
5. If necessary, a hammer can be used to lightly tap each concrete anchor into place so that they are flush with the wall.
6. Place the wall mount back onto the wall over the concrete anchors and use the bubble level to verify the wall mount is level.
7. Insert **Screw (A1)** with **Washer (A3)** into the concrete anchors and tighten them with a Phillips screwdriver by turning clockwise until fully tight, see **Figure 3**.

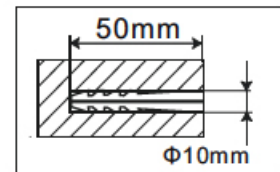
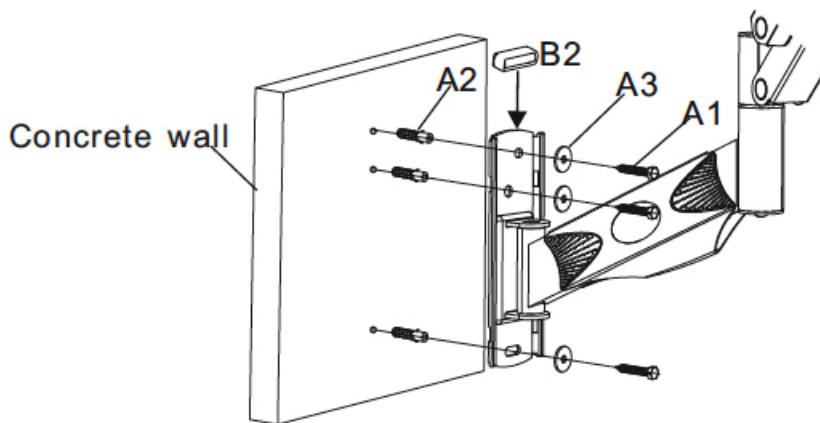


Figure 3

## Step 2A - Attach VESA Plate to TV

The **VESA Plate** fits VESA mounting pattern 75x75, 100x100, 200x100 and 200x200. For a TV with different mounting pattern, install the **VESA Plate Extender** as shown on the next page.

### VESA Mounting Pattern: 75x75mm / 100x100mm / 200x100mm / 200x200mm

1. Place your TV screen side down on a soft flat surface, and locate the threaded mounting holes that are located on the back of the TV.
2. Position the VESA plate over the threaded mounting holes with the arrow pointing up, see **Figure 4A, 4B, 4C**.
3. Select the **Bolt (C, D, E)** with the correct diameter of the mounting holes of your TV.
4. Thread the bolts along with **Washer (B1)** into the TV, then tighten them with a Phillips screwdriver by turning clockwise until fully tight, see **Figure 4B & 4C**.  
**Note:** A washer is not required with **Bolt (D)**.

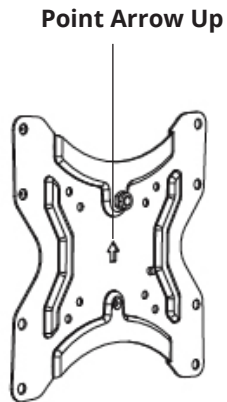


Figure 4A

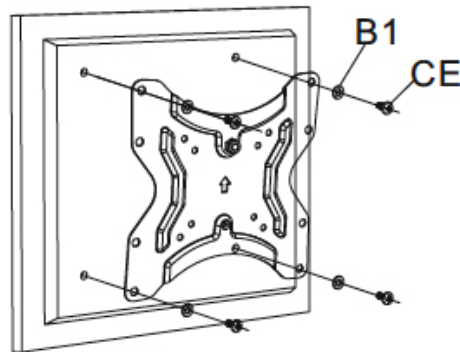


Figure 4B

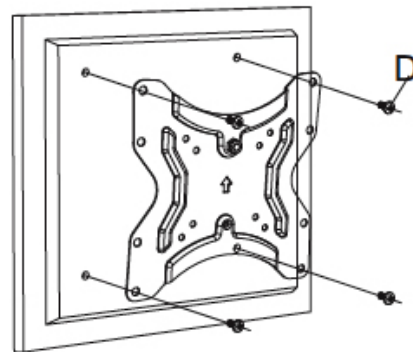


Figure 4C

## 2B - Install the VESA Plate Extender onto the VESA Plate

### VESA Mounting Pattern: 300x300, 300x400, 400x300, 400x400

1. Position the VESA Plate with the arrow pointing up, see **Figure 5A**.
2. Install the VESA Plate Extender to the VESA Plate in the position shown, see **Figure 5A**.
3. Use **Bolt (c)**, **Washer (b)** and **Nut(a)** and fully tighten by turning the nut clockwise with a wrench to secure the VESA Plate Extender to the VESA Plate, see **Figure 5A**.
4. Place your TV screen side down on a soft flat surface, and locate the threaded mounting holes that are located on the back of the TV.
5. Position the VESA plate over the threaded mounting holes with the arrow pointing up, see **Figure 5B & 5C**.
6. Select **Bolt (C, D, E)** with the correct diameter of the mounting holes of your TV.
7. Thread the bolts, along with **Washer (B1)**, into the TV then tighten them with a Phillips screwdriver by turning clockwise until fully tight, see **Figure 5B & 5C**.  
**Note:** A washer is not required with **Bolt (D)**.

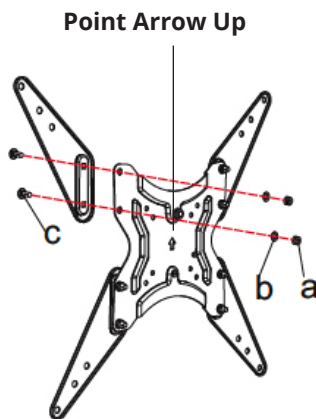


Figure 5A

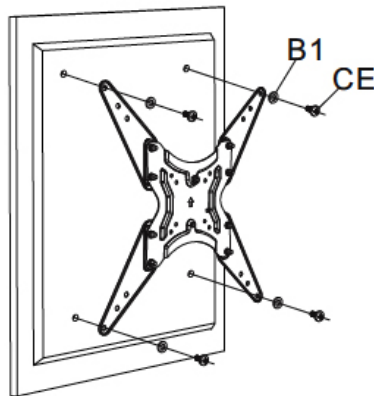


Figure 5B

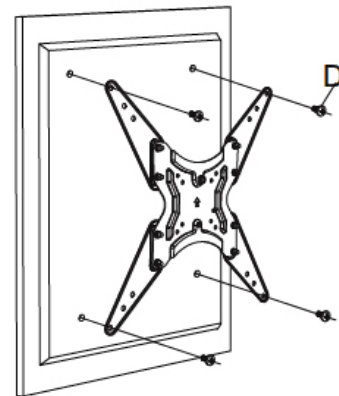


Figure 5C

### Step 3 - Install the TV onto the Extension Arm

**Warning:** Some TVs may require two people to lift and position it onto the extension arm. SIIG, Inc. is NOT RESPONSIBLE for any damage or injury caused by incorrect installation, assembly or use.

1. Loosen the **Mounting Nut** using a wrench (not included), and remove the **Mounting Bolt** using a Phillips screwdriver from the TV with VESA Plate assembly, see **Figure 6**.
2. Hang the TV with VESA plate assembly onto the top of the extension arm bracket, then let the bottom of the VESA plate rotate to the bottom of the bracket, see **Figure 7**.  
**Note:** If needed, loosen the mounting nut slightly for easier installation.
3. Replace the mounting bolt removed earlier, then tighten both mounting nut and mounting bolt by turning them clockwise until fully tight to secure the TV with VESA plate assembly to the extension arm, see **Figure 6**.
4. Install the Decorative Caps onto the wall bracket, see **Figure 7**.

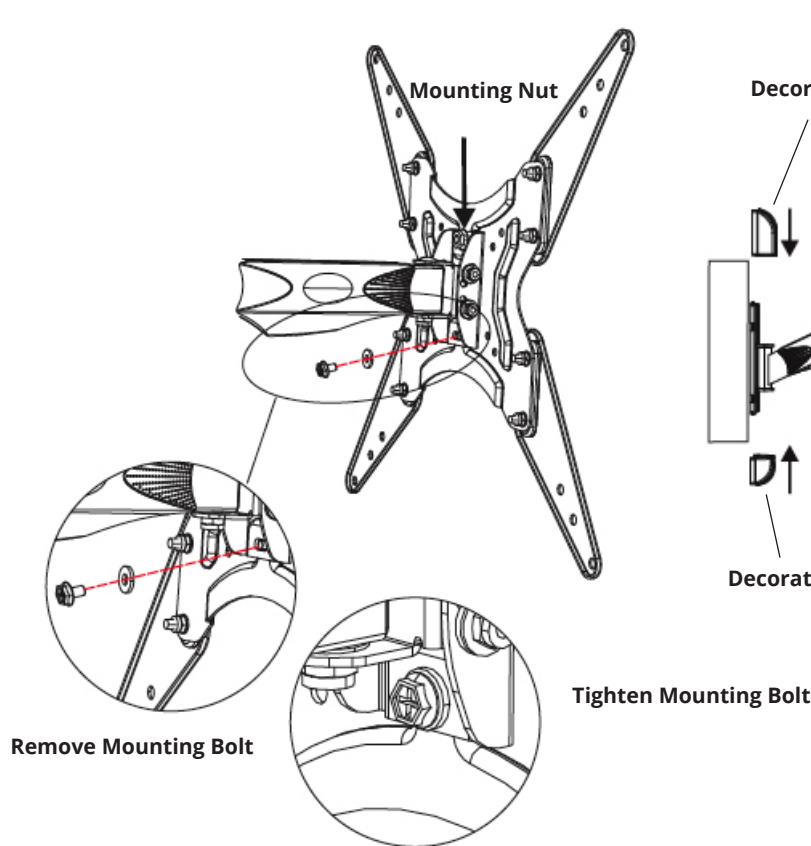


Figure 6

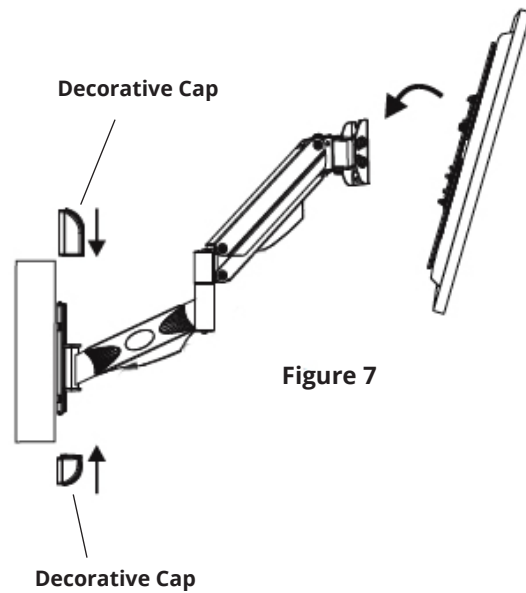


Figure 7



## Step 4 - Gas Spring Adjustment

1. Adjust the tension of the gas spring using an Allen Key (not included), see **Figure 8**.
2. Turn the allen key clockwise to increase the tension for heavier monitors, or turn it counter clockwise to decrease the tension for lighter monitors, see **Figure 9**.

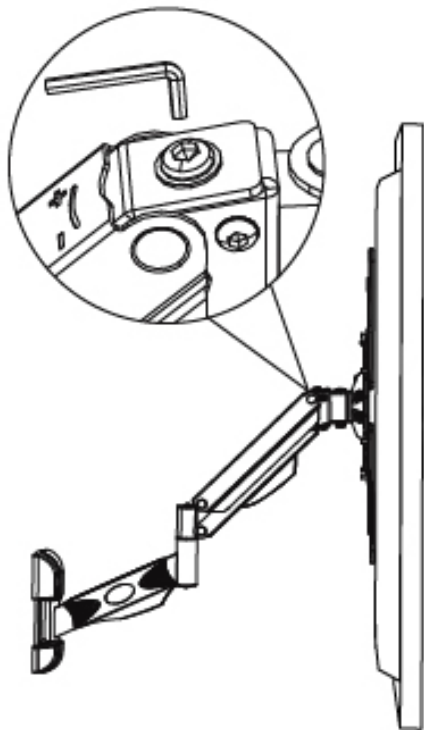
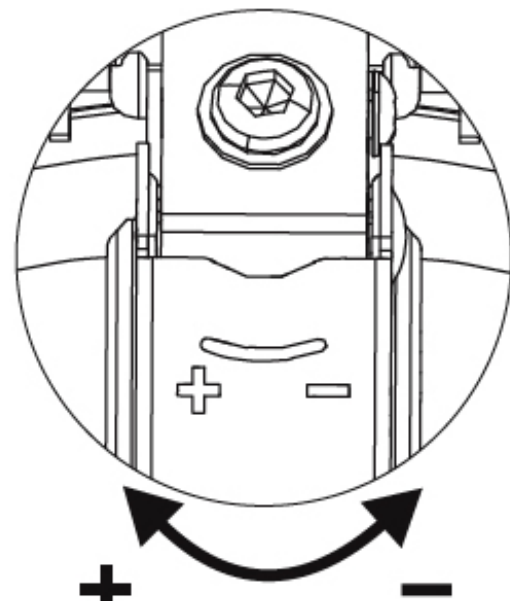


Figure 8



+

Turn Clockwise to  
Increase Tension  
for Heavier TVs

-

Turn Counter Clockwise  
to Decrease Tension for  
Lighter TVs

Figure 9

## Step 5 - Final Installation

1. Adjust the horizontal axis up to 3 degrees left/right for visual alignment, see **Figure 10**.
2. Adjust the tilt angle up to 12 degrees up or down for viewing comfort, see **Figure 11**.
3. Route the cables from the TV through the cable management system, see **Figure 11**.
4. Place the height of the TV to the optimal view angle, see **Figure 12**.

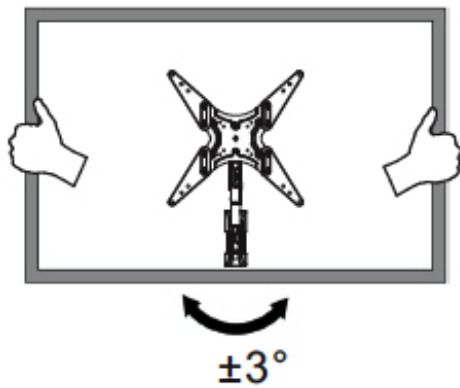


Figure 10

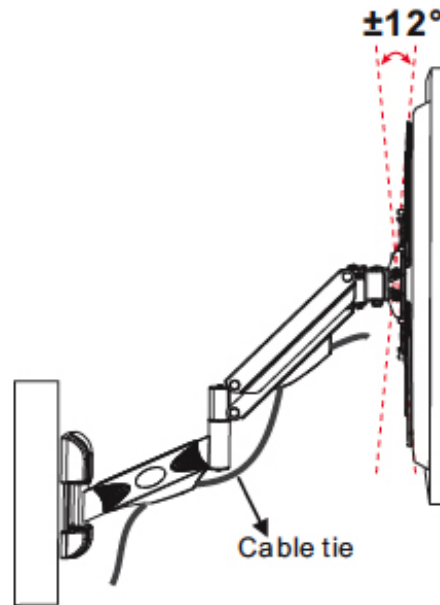


Figure 11

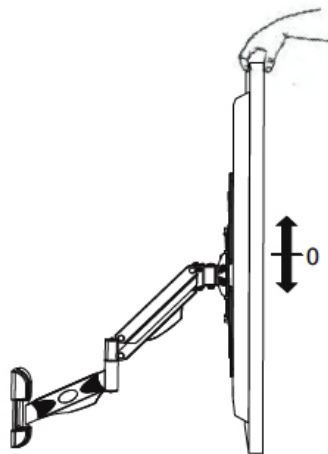


Figure 12

## Maintenance

Check the mounting hardware every two months for tightness

**Blank Page**

## Technical Support and Warranty

---

**QUESTIONS?** SIIG's **Online Support** has answers! Simply visit our web site at [www.siig.com](http://www.siig.com) and click **Support**. Our online support database is updated daily with new drivers and solutions. Answers to your questions could be just a few clicks away. You can also submit questions online and a technical support analyst will promptly respond.

SIIG offers a 3-year manufacturer warranty with this product. This warranty covers the original purchaser and guarantees the product to be free of any defects in materials or workmanship for three (3) years from the date of purchase of the product. This warranty is not transferable and is available only to the original purchaser of the product.

SIIG will, at our discretion, repair or replace (with an identical product or product having similar features and functionality) the product if defective in materials or workmanship. This warranty gives you specific legal rights, and you may also have other rights which vary from state to state. Please see our web site for more warranty details.

If you encounter any problems with this product, please follow the procedures below.

- A) If it is within the store's return policy period, please return the product to the store where you purchased it.
- B) If your purchase has passed the store's return policy period, please follow these steps to have the product repaired or replaced.

**Step 1:** Submit your RMA request. Go to [www.siig.com](http://www.siig.com), click **Support**, then **Request A Product Replacement** to submit a request to [SIIG RMA](#) or fax a request to 510-657-5962. Your RMA request will be processed, if the product is determined to be defective, an RMA number will be issued.

**Step 2:** After obtaining an RMA number, ship the product.

- Properly pack the product for shipping. All software, cable(s) and any other accessories that came with the original package must be included
- Include a copy of your original sales receipt inside the package with the date of purchase and place of purchase circled and clearly visible
- Clearly write your RMA number on the top of the returned package. SIIG will refuse to accept any shipping package, and will not be responsible for a product returned without an RMA number posted on the outside of the shipping carton
- You are responsible for the cost of shipping to SIIG. Ship the product to the following address:

**SIIG, Inc.**  
**6078 Stewart Avenue**  
**Fremont, CA 94538-3152, USA**  
**RMA #:** \_\_\_\_\_

- SIIG will ship the repaired or replaced product via Ground in the U.S. and International Economy outside of the U.S. at no cost to the customer

## About SIIG, Inc.

---

Founded in 1985, SIIG, Inc. is a leading manufacturer of IT connectivity solutions (including Serial ATA and Ultra ATA Controllers, FireWire, USB, and legacy I/O adapters) that bridge the connection between Desktop/Notebook systems and external peripherals. SIIG continues to grow by adding A/V and Digital Signage connectivity solutions to our extensive portfolio. All centered around the distribution and switching of A/V signals over CAT5/6, these products include matrix switches, distribution amplifiers, extenders, converters, splitters, cabling, and more.

SIIG is the premier one-stop source of upgrades and is committed to providing high quality products while keeping economical and competitive prices. High-quality control standards are evident by one of the lowest defective return rates in the industry. Our products offer comprehensive user manuals, user-friendly features and are backed by an extensive manufacturer warranty.

SIIG products can be found in many computer retail stores, mail order catalogs, and e-commerce sites in the Americas, as well as through major distributors, system integrators, and VARs.

### PRODUCT NAME

Full Motion Gas Spring TV Wall Mount - 24" to 55"

Full Motion Gas Spring TV Wall Mount - 24" to 55" is a trademark of SIIG, Inc. SIIG and the SIIG logo are registered trademarks of SIIG, Inc. All other names used in this publication are for identification only and may be trademarks of their respective owners.