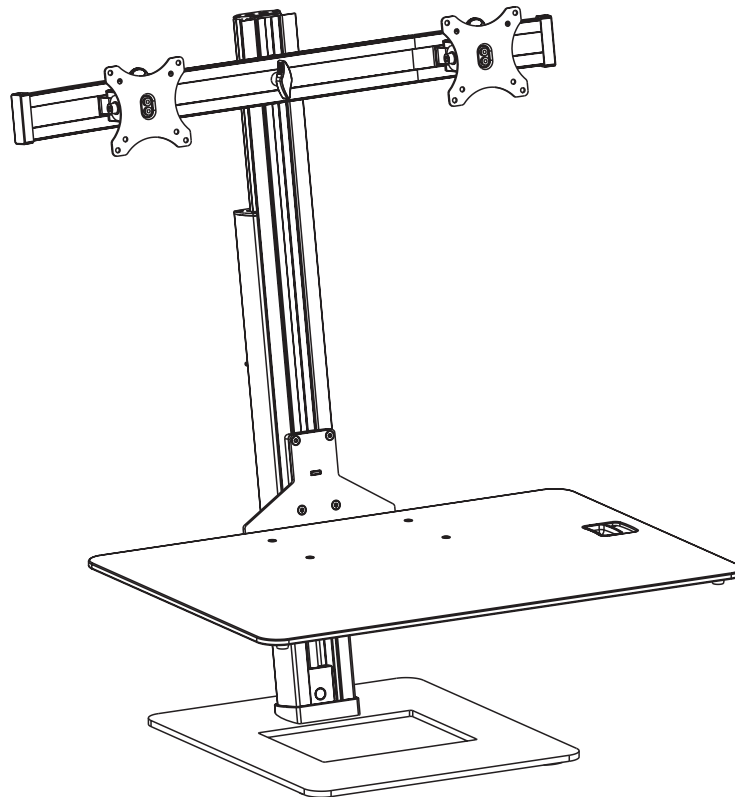




Dual Display Adjustable Computer Keyboard Stand

Installation Instructions



P/N: CE-MT2H12-S1

Unpacking

- Carefully remove the contents and lay them out on cardboard or other protective surface
- Check package contents against the parts list to ensure that all components were received and undamaged. Do not use damaged or defective parts
- Carefully read all instructions before attempting the installation

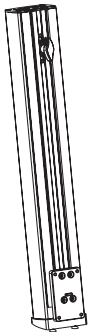
Safety Information

- Use proper safety equipment during installation
- If you don't understand the installation instructions, please consult an installation specialist
- This mount contains small parts which can act as a choking hazard if swallowed
- Do not use this product for any purpose or in any configuration not explicitly specified in these instructions

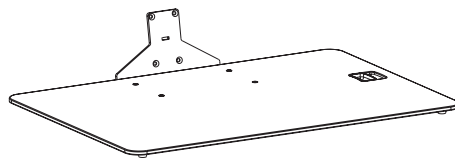
Tools Required

- Phillips screwdriver

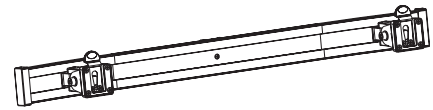
Parts List



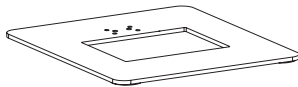
(1x) Support Pole (A)



(1x) Keyboard Tray (B)



(1x) Monitor Arm (C)



(1x) Weighted Base (D)



(2x) VESA Plate (E)



(8x) Bolt (F)



(1x) Wrench (G)



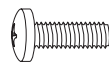
(1x) 4mm Allen Key (H)



(1x) 6mm Allen Key (I)



(4x) Bolt (M-A)



(4x) Bolt (M-B)



(4x) Washer (M-C)

Installation

Step 1 - Mount the Support Pole to the Weighted Base

Align the Support Pole (A) to the Weighted Base (D), insert Bolt (F) and tighten them using Allen Key (H), see Figure 1.

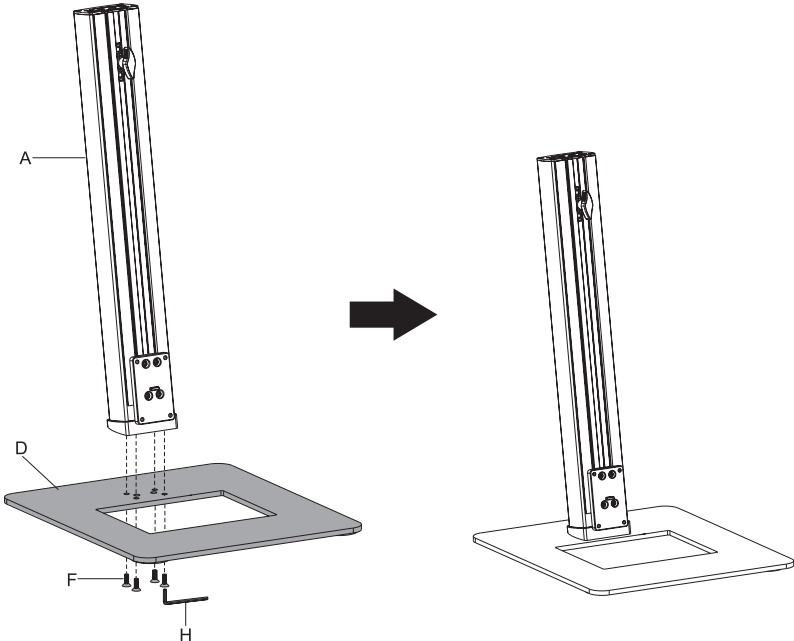


Figure 1

Step 2 - Connect the Height Adjustment Switch

1. Turn the Keyboard Tray over and use a Phillips screwdriver to remove the bracket, see Figure 2A.

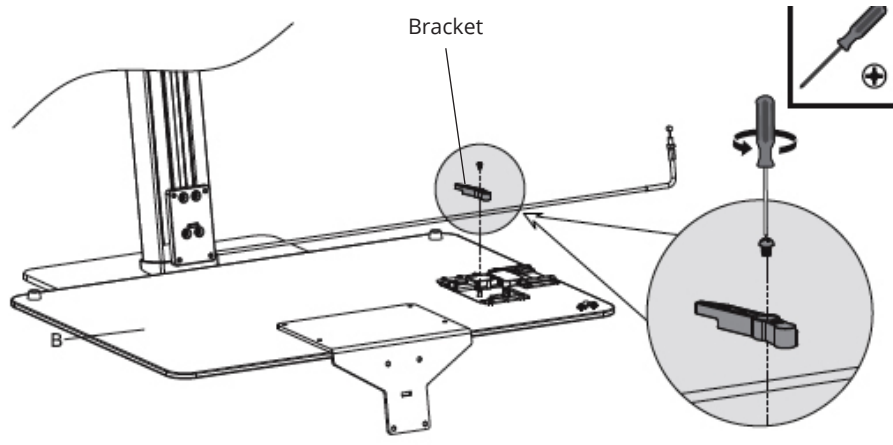


Figure 2A

2. Find the Support Pole's Wire Rod and attach it to the Keyboard Tray, see Figure 2B-1 & 2B-2.
3. Re-install the bracket onto the Keyboard Tray, see Figure 2B-3.
4. Adjust the nut using Wrench (G), see Figure 2B-4.

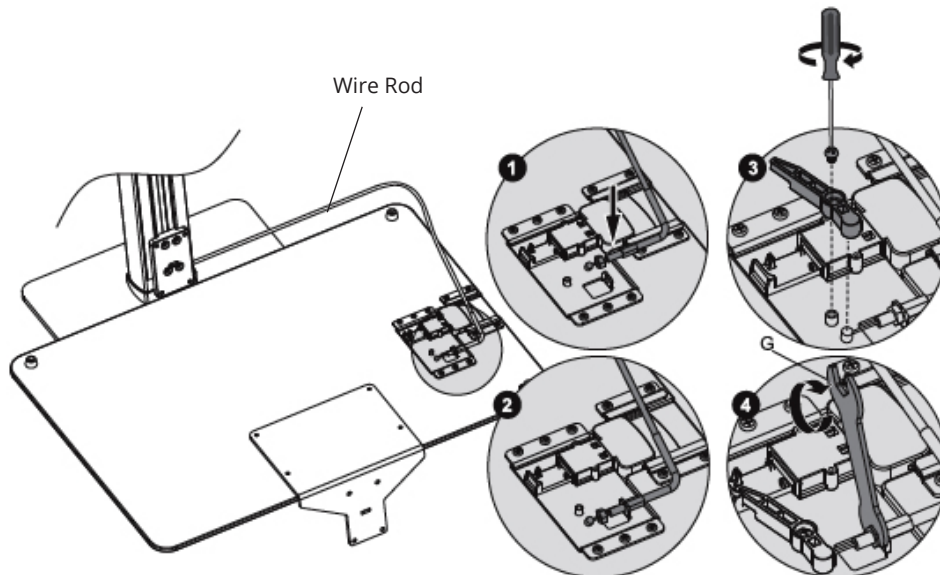


Figure 2B

Step 3 - Connect the Keyboard Tray to the Support Pole

1. Carefully turn the Keyboard Tray over, be careful not to damage the Wire Rod.
2. Mount the Keyboard Tray to the Support Pole, insert Bolt (F) and tighten using Allen Key (H), see Figure 3.

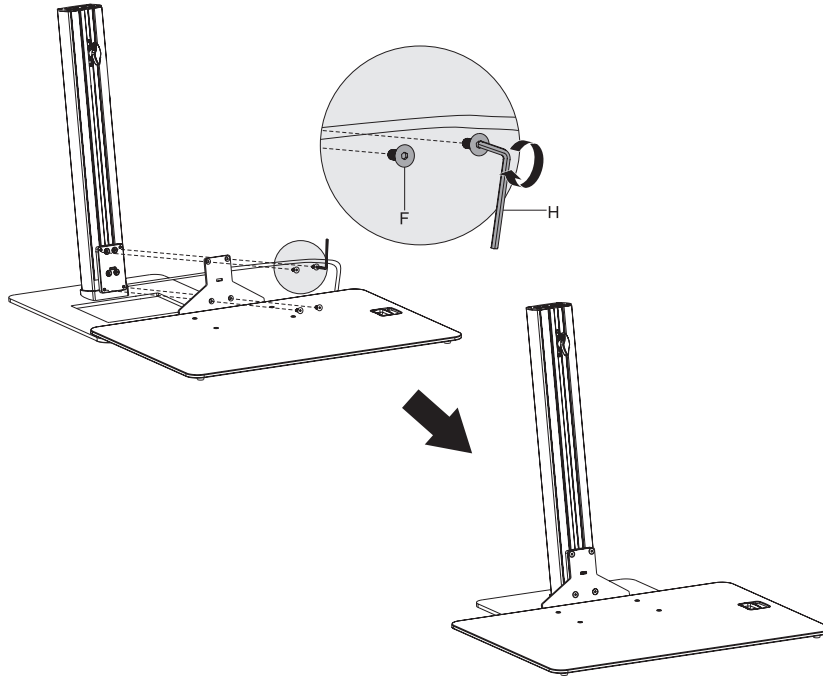


Figure 3

2. Slide the height adjustment switch and raise the keyboard tray, see Figure 4.

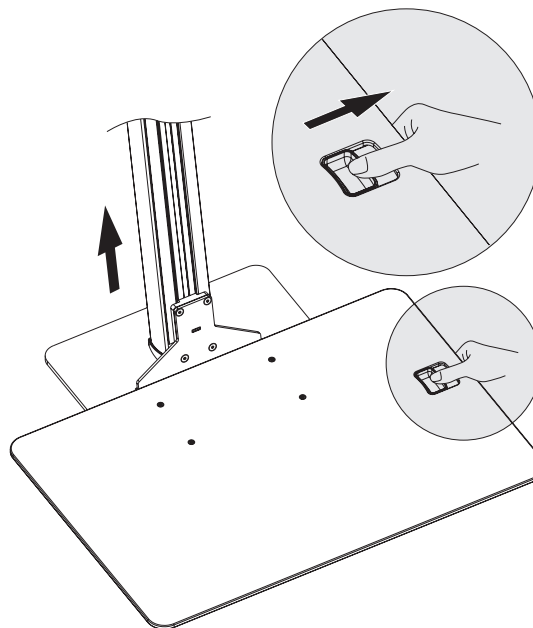


Figure 4

- Remove the bracket from the underside of the keyboard tray and place the wire rod in the path, see Figure 5-1.
 - Re-install the bracket to secure the wire rod to the keyboard tray, see Figure 5-2.
- Note:** The wire rod should move freely, it is not intended to be in a fixed position.

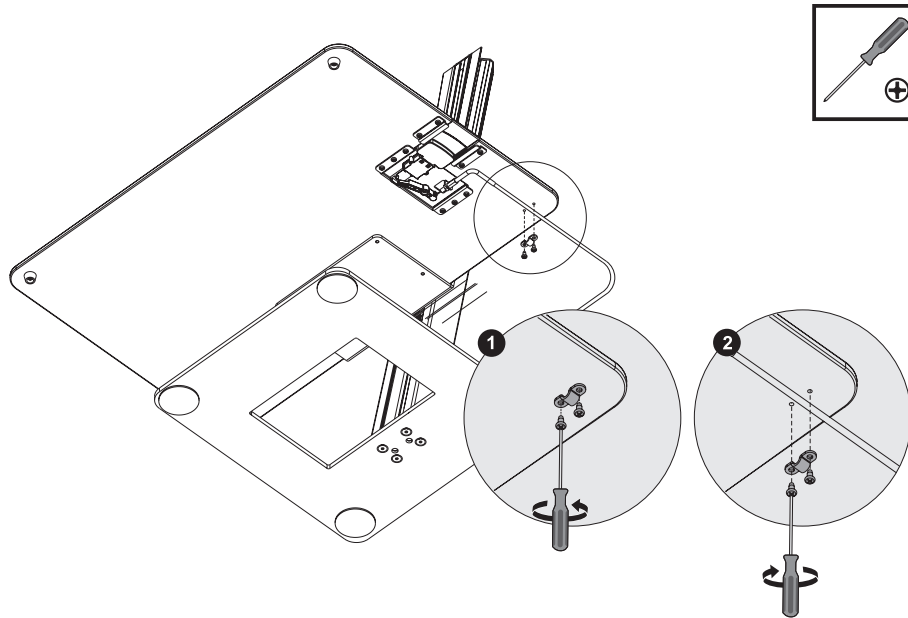


Figure 5

Step 4 - Mount the VESA Plate to your Monitor

- Turn the VESA Plate so that "TOP" faces up, then mount it onto the monitor.
- Install Washer (M-C) with Bolt (M-A/M-B) into the monitor's mounting holes, tighten them using a Phillips screwdriver, see Figure 6.

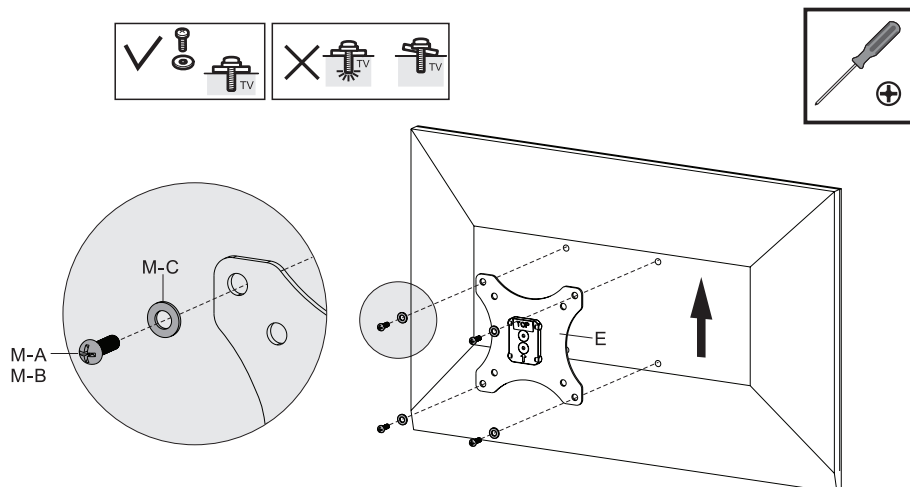


Figure 6

Step 5 - Mount the Monitor Arm and Monitors

1. Remove the Wing Nut from the Support Pole, see Figure 7.

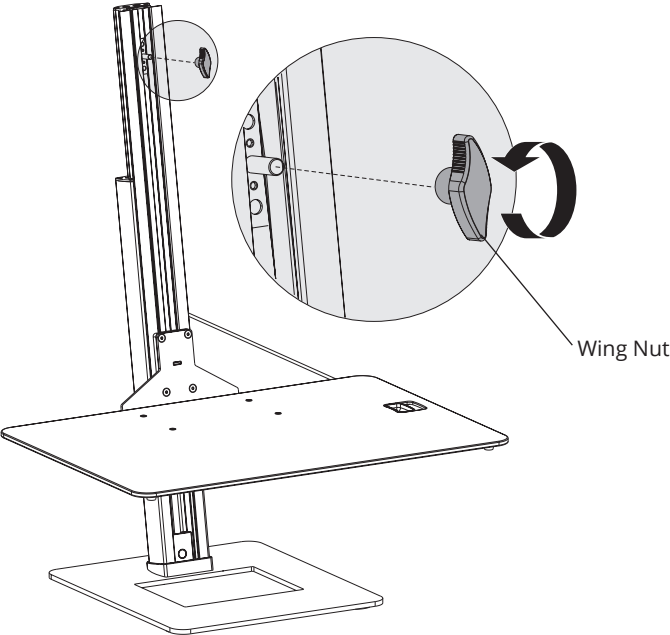


Figure 7

2. Mount the Monitor Arm and secure it with the Wing Nut, see Figure 8.
Note: Make sure the Tab on the VESA plate bracket faces up.

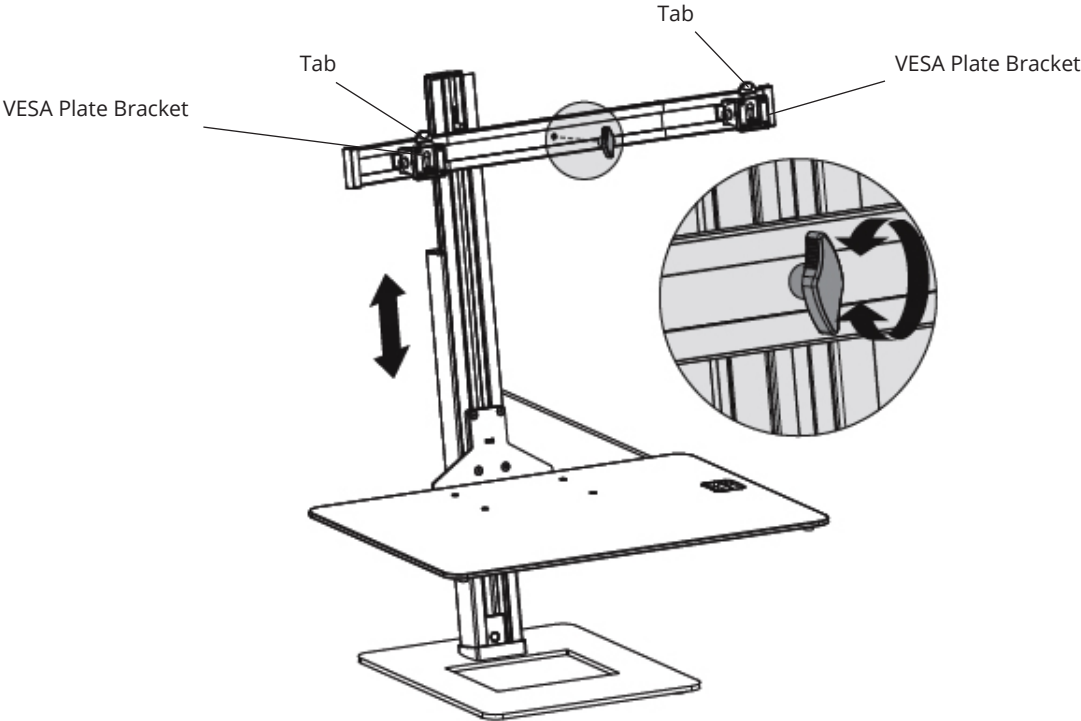


Figure 8

3. Move the Tab back and slide the VESA Plate with Monitor onto the VESA plate bracket, see Figure 9.
4. If necessary, adjust the tightness of the tilt angle joint using Allen Key (I), see Figure 9.

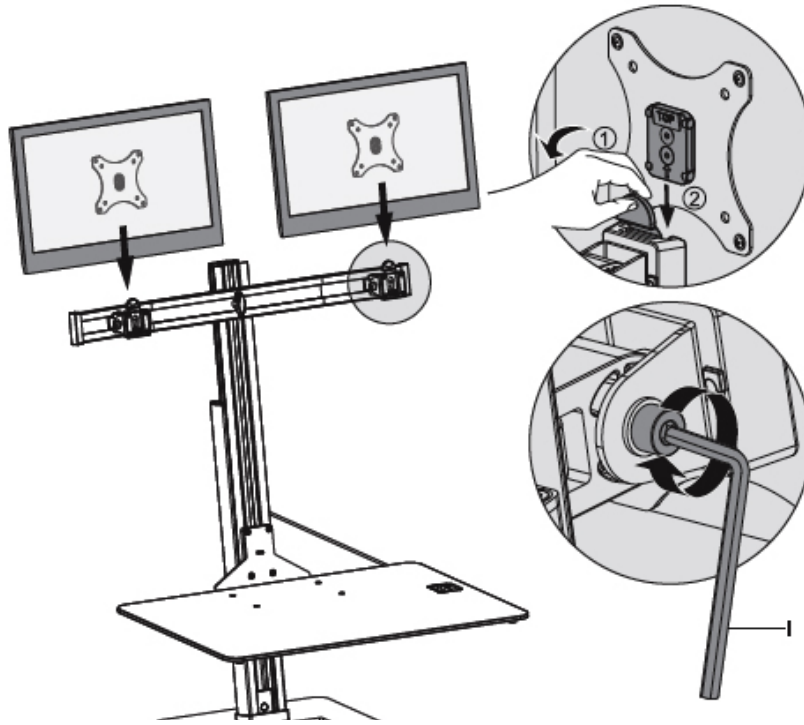


Figure 9

Cable Management and Final Adjustments

1. Route the cables through the wire clips and down the Support Pole, place the Allen Keys in the wire clip for safe storage, see Figure 10.

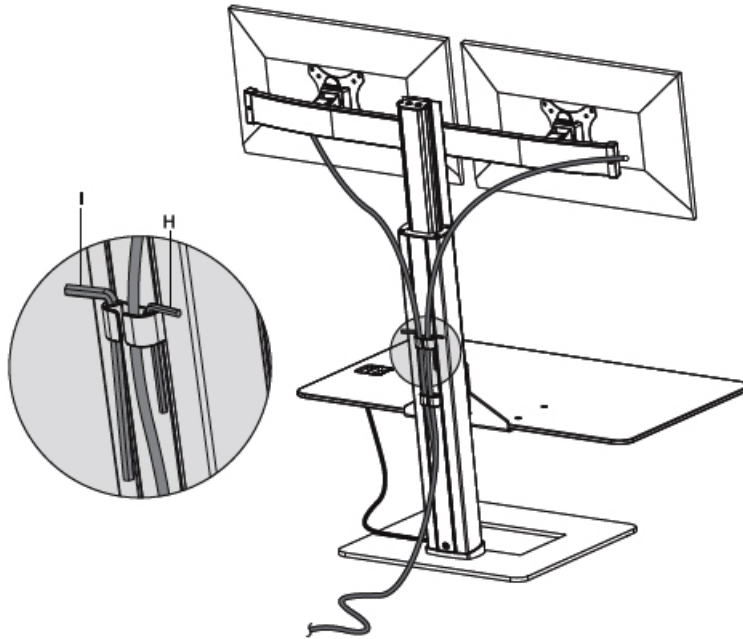


Figure 10

2. Adjust the tilt angle, height and orientation to the desired position, see Figure 11.

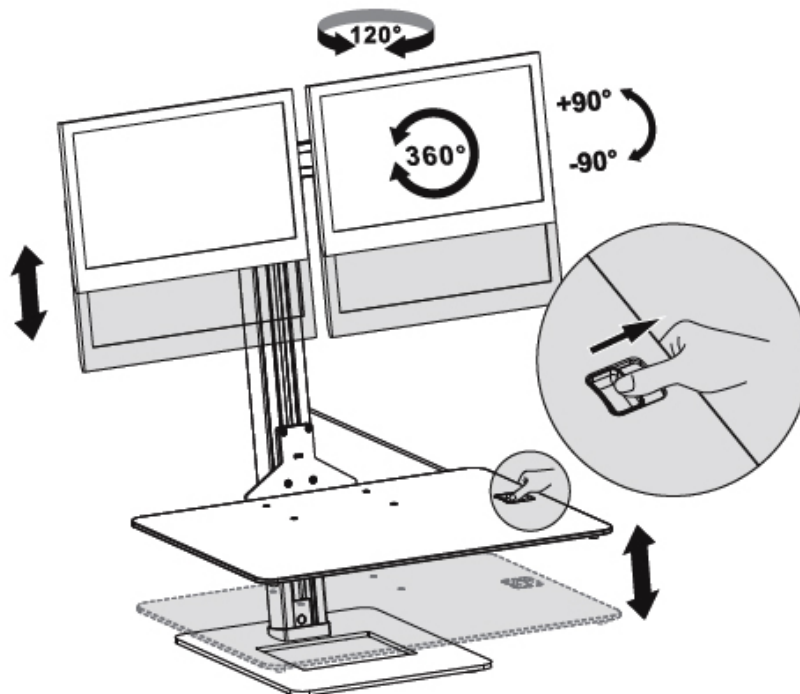


Figure 11

Maintenance

Check the mounting screws every two months for tightness.

Blank Page

Technical Support and Warranty

QUESTIONS? SIIG's **Online Support** has answers! Simply visit our web site at www.siig.com and click **Support**. Our online support database is updated daily with new drivers and solutions. Answers to your questions could be just a few clicks away. You can also submit questions online and a technical support analyst will promptly respond.

SIIG offers a 3-year manufacturer warranty with this product. This warranty covers the original purchaser and guarantees the product to be free of any defects in materials or workmanship for three (3) years from the date of purchase of the product.

SIIG will, at our discretion, repair or replace (with an identical product or product having similar features and functionality) the product if defective in materials or workmanship. This warranty gives you specific legal rights, and you may also have other rights which vary from state to state. Please see our web site for more warranty details.

If you encounter any problems with this product, please follow the procedures below.

A) If it is within the store's return policy period, please return the product to the store where you purchased from.

B) If your purchase has passed the store's return policy period, please follow the steps below to have the product repaired or replaced.

Step 1: Submit your RMA request.

Go to www.siig.com, click **Support**, then **Request A Product Replacement** to submit a request to [SIIG RMA](#) or fax a request to 510-657-5962. Your RMA request will be processed, if the product is determined to be defective, an RMA number will be issued.

Step 2: After obtaining an RMA number, ship the product.

- Properly pack the product for shipping. All accessories that came with the original package must be included.
- Clearly write your RMA number on the top of the returned package. SIIG will refuse to accept any shipping package, and will not be responsible for a product returned without an RMA number posted on the outside of the shipping carton.
- You are responsible for the cost of shipping to SIIG. Ship the product to the following address:

SIIG, Inc.

6078 Stewart Avenue

Fremont, CA 94538-3152, USA

RMA #: _____

- SIIG will ship the repaired or replaced product via Ground in the U.S. and International Economy outside of the U.S. at no cost to the customer.

About SIIG, Inc.

Founded in 1985, SIIG, Inc. is a leading manufacturer of IT connectivity solutions (including Serial ATA and Ultra ATA Controllers, FireWire, USB, and legacy I/O adapters) that bridge the connection between Desktop/Notebook systems and external peripherals. SIIG continues to grow by adding A/V and Digital Signage connectivity solutions to our extensive portfolio. All centered around the distribution and switching of A/V signals over CAT5/6, these products include matrix switches, distribution amplifiers, extenders, converters, splitters, cabling, and more.

SIIG is the premier one-stop source of upgrades and is committed to providing high quality products while keeping economical and competitive prices. High-quality control standards are evident by one of the lowest defective return rates in the industry. Our products offer comprehensive user manuals, user-friendly features, and most products are backed by a lifetime warranty.

SIIG products can be found in many computer retail stores, mail order catalogs, and e-commerce sites in the Americas, as well as through major distributors, system integrators, and VARs.

<p>PRODUCT NAME</p>

<p>Dual Display Adjustable Computer Keyboard Stand</p>
--

Dual Display Adjustable Computer Keyboard Stand is a trademark of SIIG, Inc. SIIG and the SIIG logo are registered trademarks of SIIG, Inc. All other names used in this publication are for identification only and may be trademarks of their respective owners.