

Read the entire instruction manual before you start installation and assembly. If you have any question regarding any of the instructions or warnings, please contact us.

### Unpacking

- Carefully remove the contents and lay them out on cardboard or other protective surface
- Check package contents against the parts list to ensure that all components are received undamaged. Do not use damaged or defective parts
- Ensure that you have received all parts according to the component checklist prior to installation. If any parts are missing or faulty, please contact us.

### CAUTION:

Use with products heavier than the rated weights indicate may result in instability causing possible injury.

- Mount must be attached as specified in assembly instructions. Improper installation may result in damage or serious personal injury.
- Safety gear and proper tools must be used. This product should only be installed by professionals.
- This product is designed to be installed on wood stud walls, solid concrete walls or brick walls.
- Make sure that the supporting surface will safely support the combined weight of the equipment and all attached hardware and components.
- Use the mounting screws provided and DO NOT OVER TIGHTEN mounting screws
- This product contains small items that could be a choking hazard if swallowed. Keep these items away from children.
- This product is intended for indoor use only. Using this product outdoors could lead to product failure and personal injury.

### MAINTENANCE

Check that the bracket is secure and safe to use at regular intervals (at least every three months)

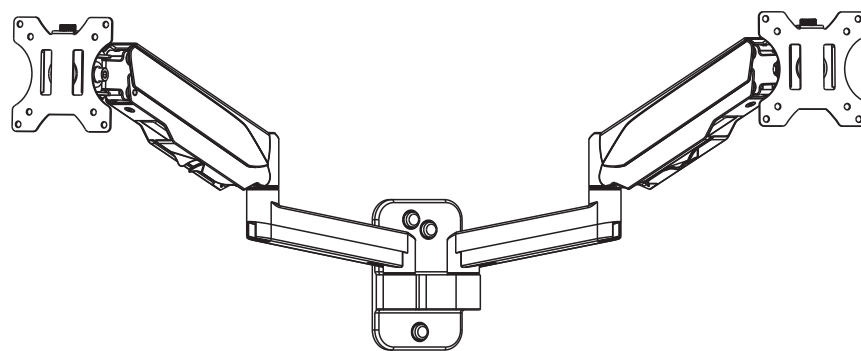
### Support

For more info or tech support <http://www.siig.com/support>



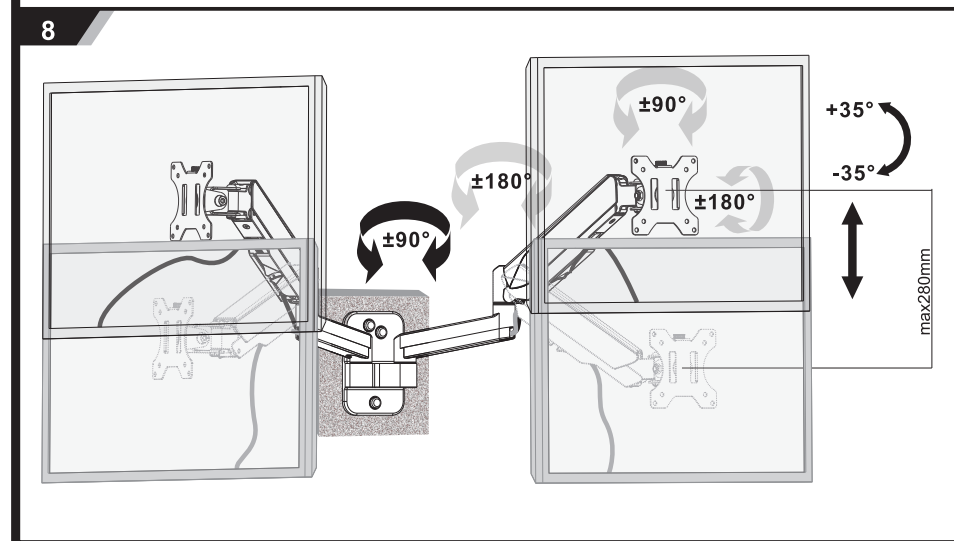
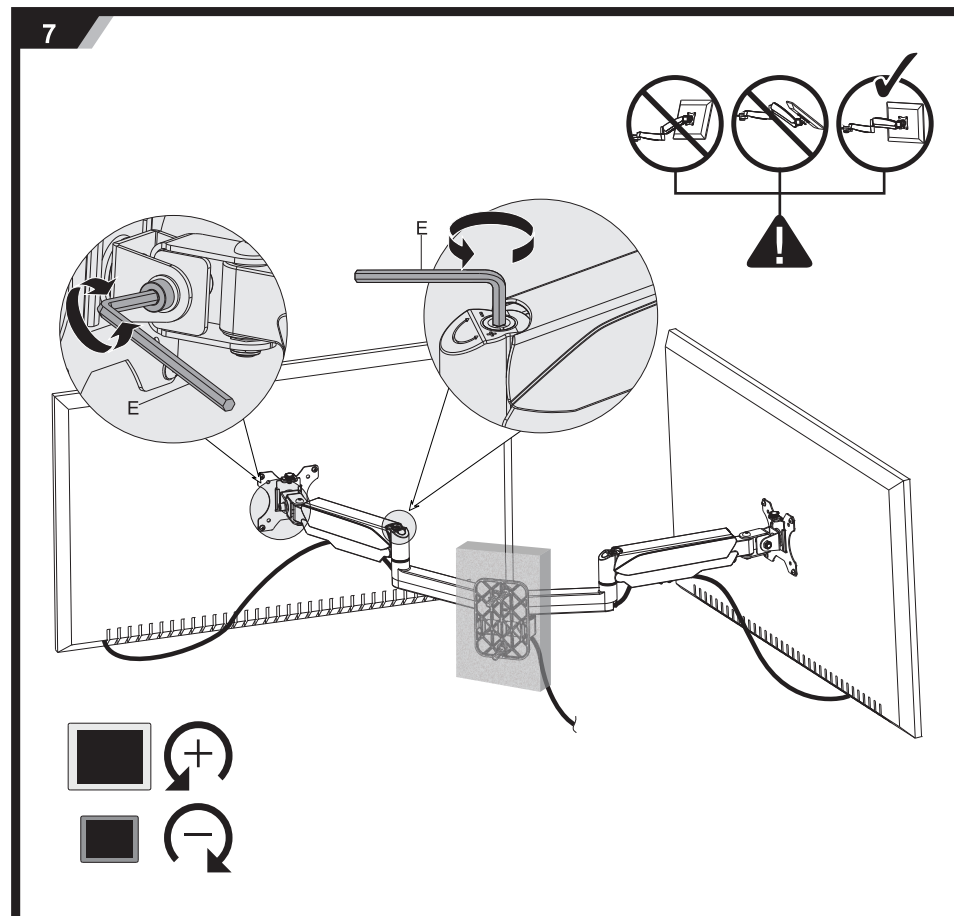
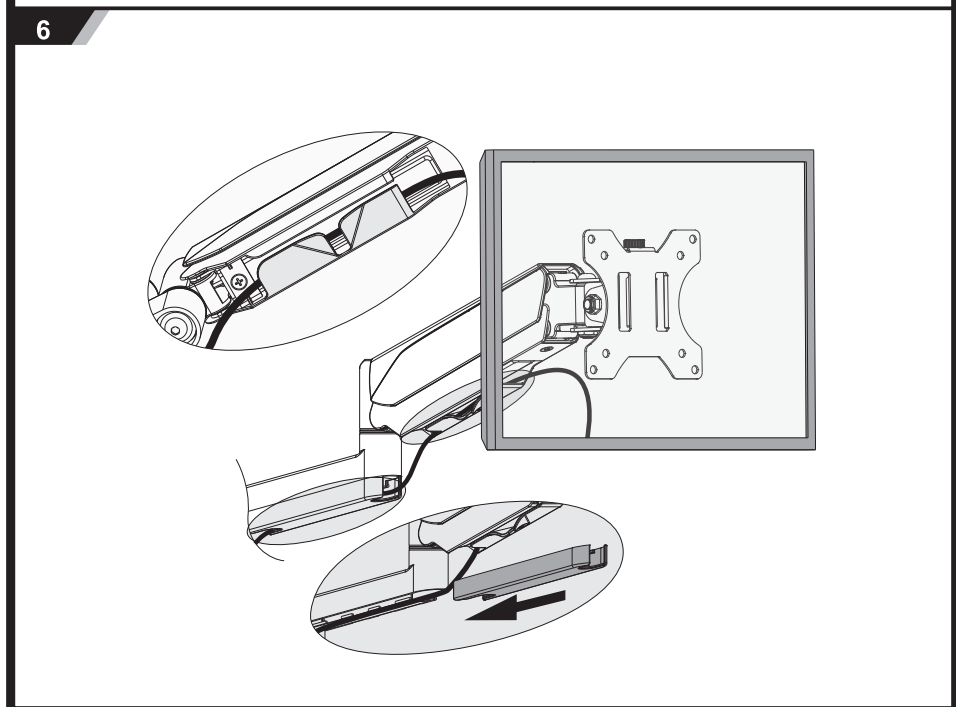
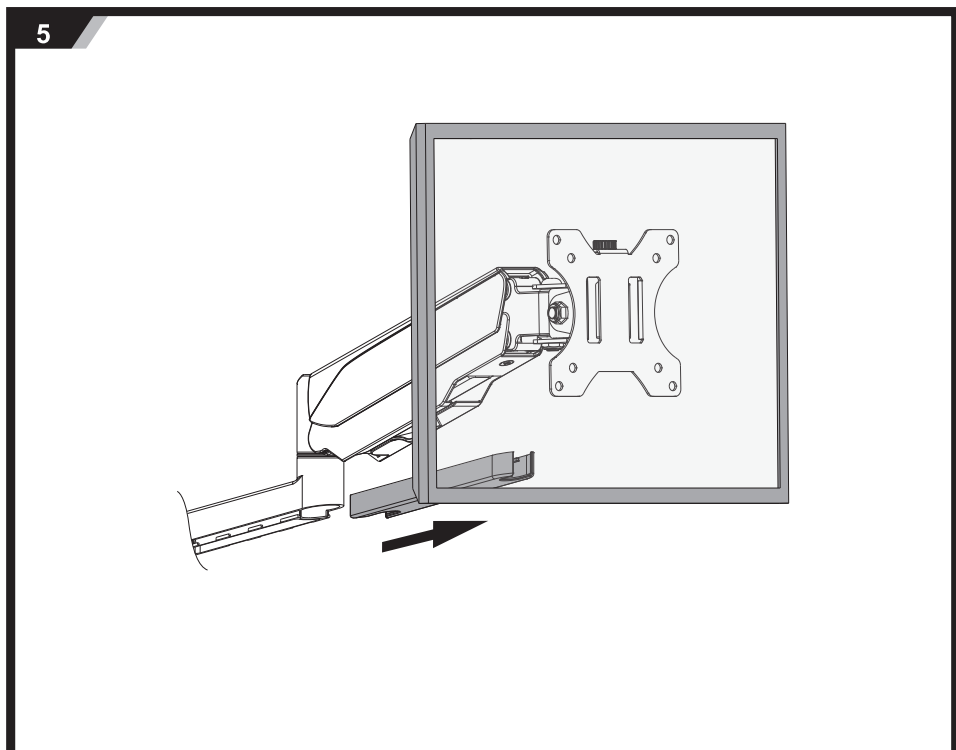
# High Premium Aluminum Gas Spring Wall Mount Dual Monitor

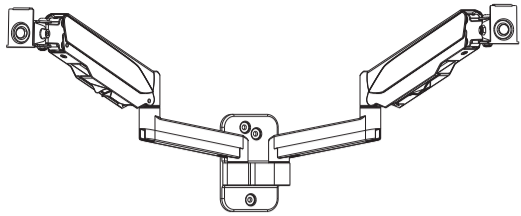
## Installation Guide



<b>TWO YEAR</b> Manufacturer Warranty	75x75/100x100	32" MAX	(1-9kg)x2 (2.2-19.8lbs)x2 RATED
--	---------------	---------	---------------------------------------

P/N: CE-MT2M12-S1  
04-1134B





A (x1)



B (x2)



C (x2)



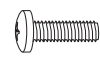
D (x3)



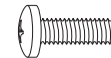
6mm (x1)  
E



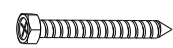
M4x12 (x4)  
M-A



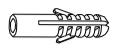
M4x16 (x4)  
M-B



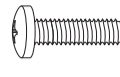
M5x12 (x4)  
M-C



W-A (x3)



W-B (x3)



M5x16 (x4)  
M-D



D5 (x4)  
M-E



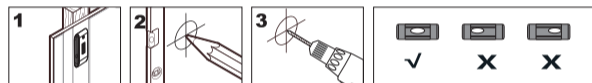
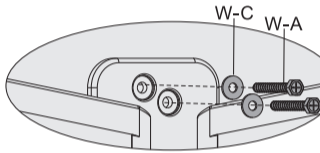
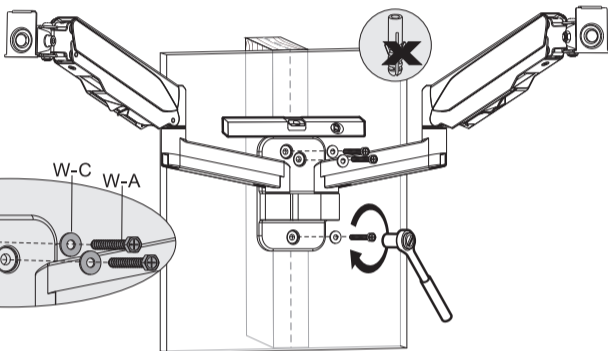
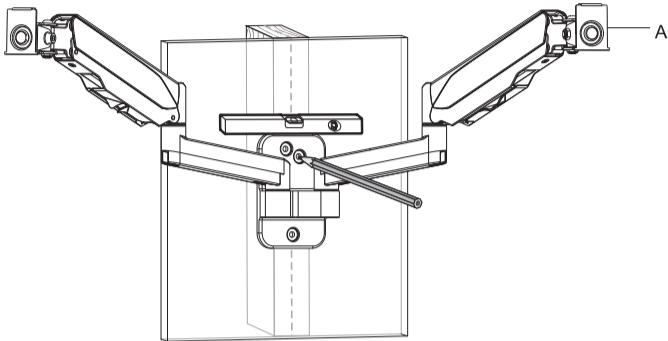
M-F (x4)



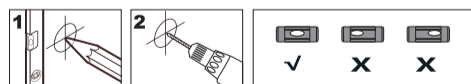
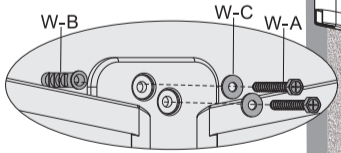
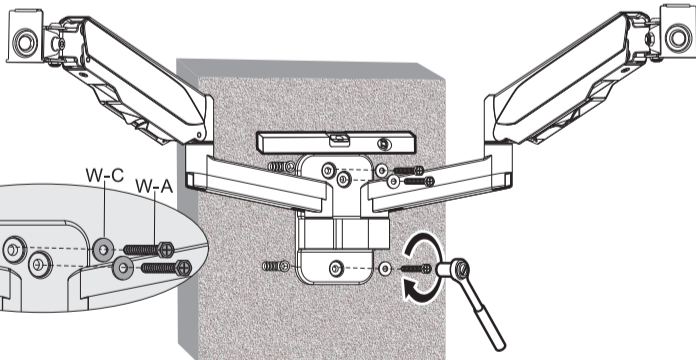
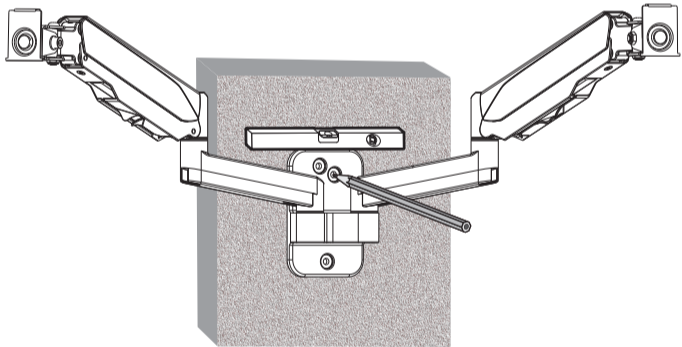
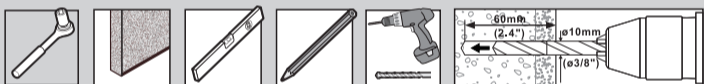
W-C (x3)

x2

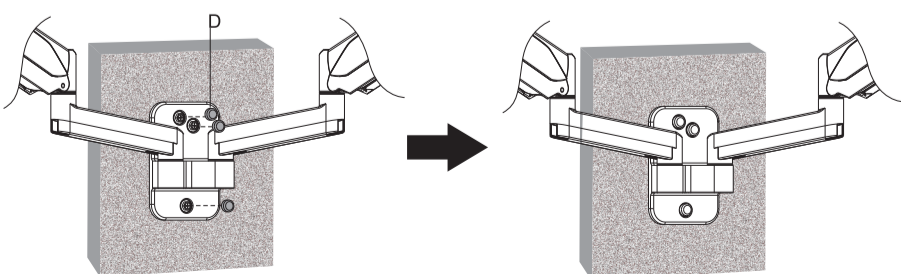
1a



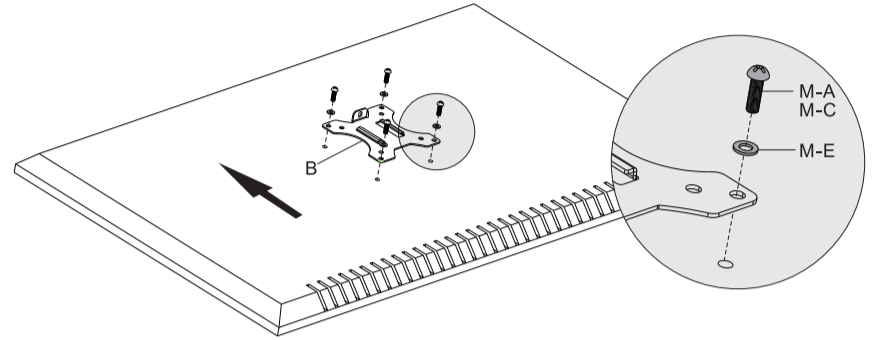
1b



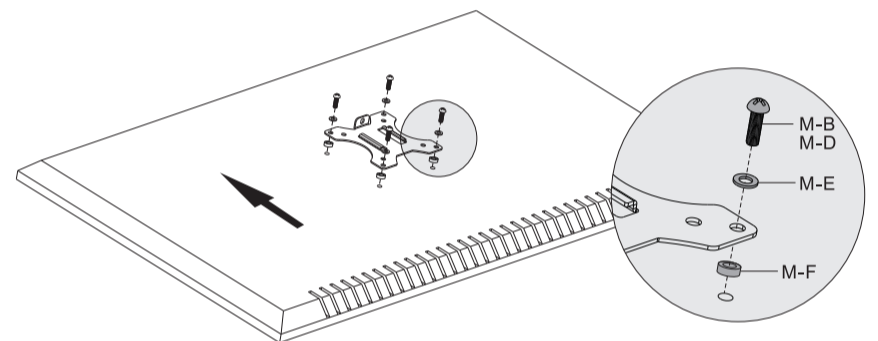
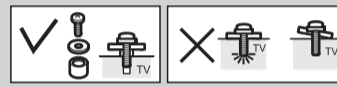
2



3a



3b



4

