

Read the entire instruction manual before you start installation and assembly. If you have any question regarding any of the instructions or warnings, please contact us.

### Unpacking

- Carefully remove the contents and lay them out on cardboard or other protective surface
- Check package contents against the parts list to ensure that all components are received undamaged. Do not use damaged or defective parts
- Ensure that you have received all parts according to the component checklist prior to installation. If any parts are missing or faulty, please contact us.

### CAUTION:

- Mount must be attached as specified in assembly instructions. Improper installation may result in damage or serious personal injury.
- Safety gear and proper tools must be used. This product should only be installed by professionals.
- This product is designed to be installed on wood stud walls, solid concrete walls or brick walls.
- Make sure that the supporting surface will safely support the combined weight of the equipment and all attached hardware and components.
- Use the mounting screws provided and DO NOT OVER TIGHTEN mounting screws
- This product contains small items that could be a choking hazard if swallowed. Keep these items away from children.
- This product is intended for indoor use only. Using this product outdoors could lead to product failure and personal injury.

### MAINTENANCE

Check that the bracket is secure and safe to use at regular intervals (at least every three months)

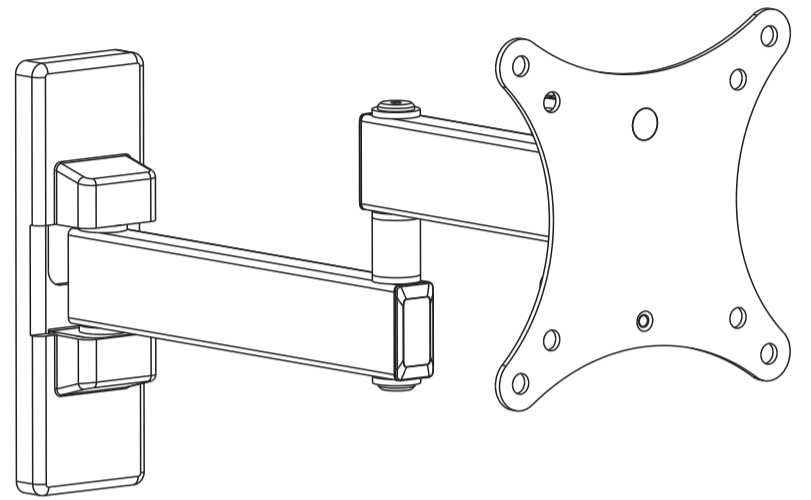
### Support

For more info or tech support <http://www.siig.com/support>

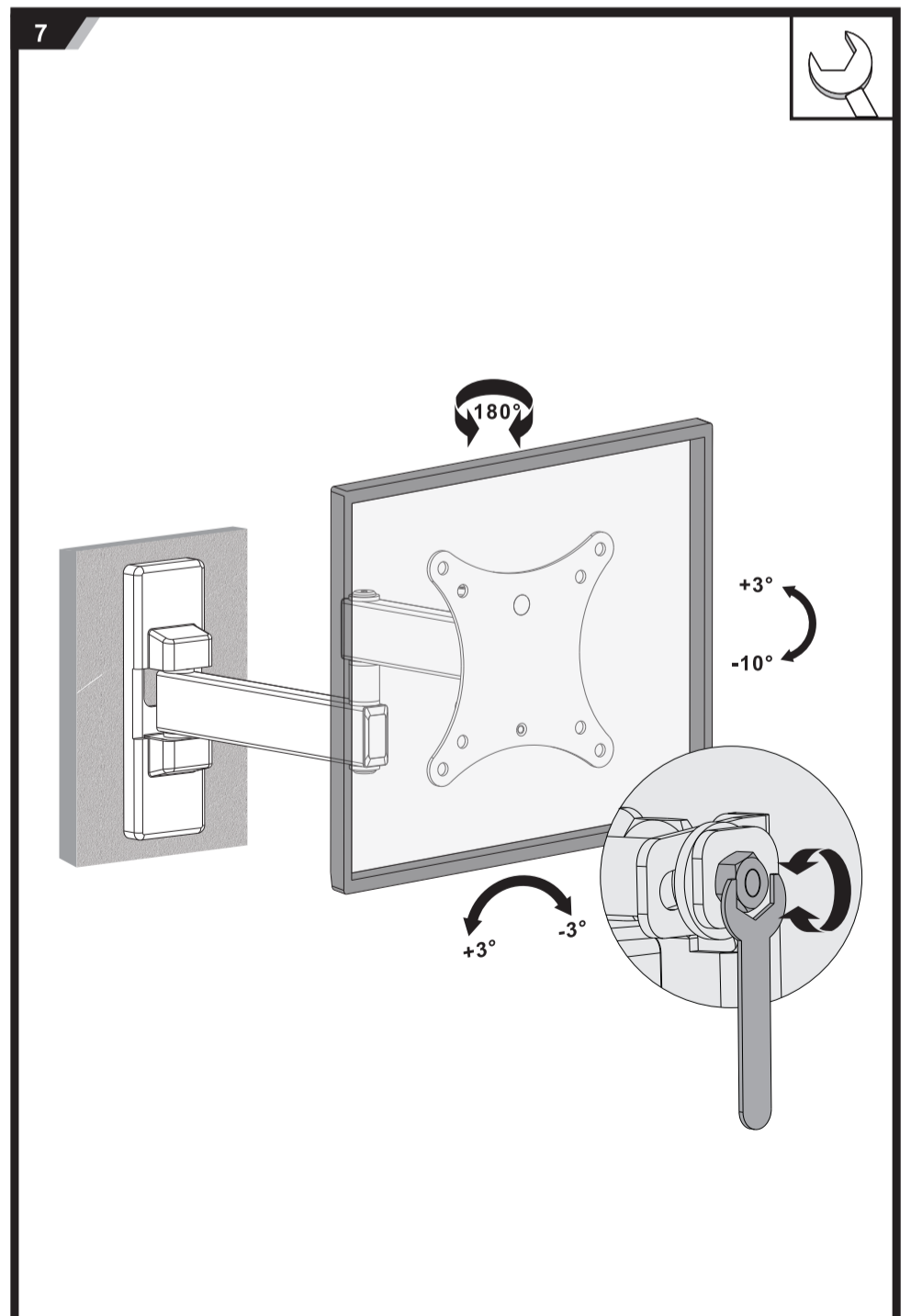
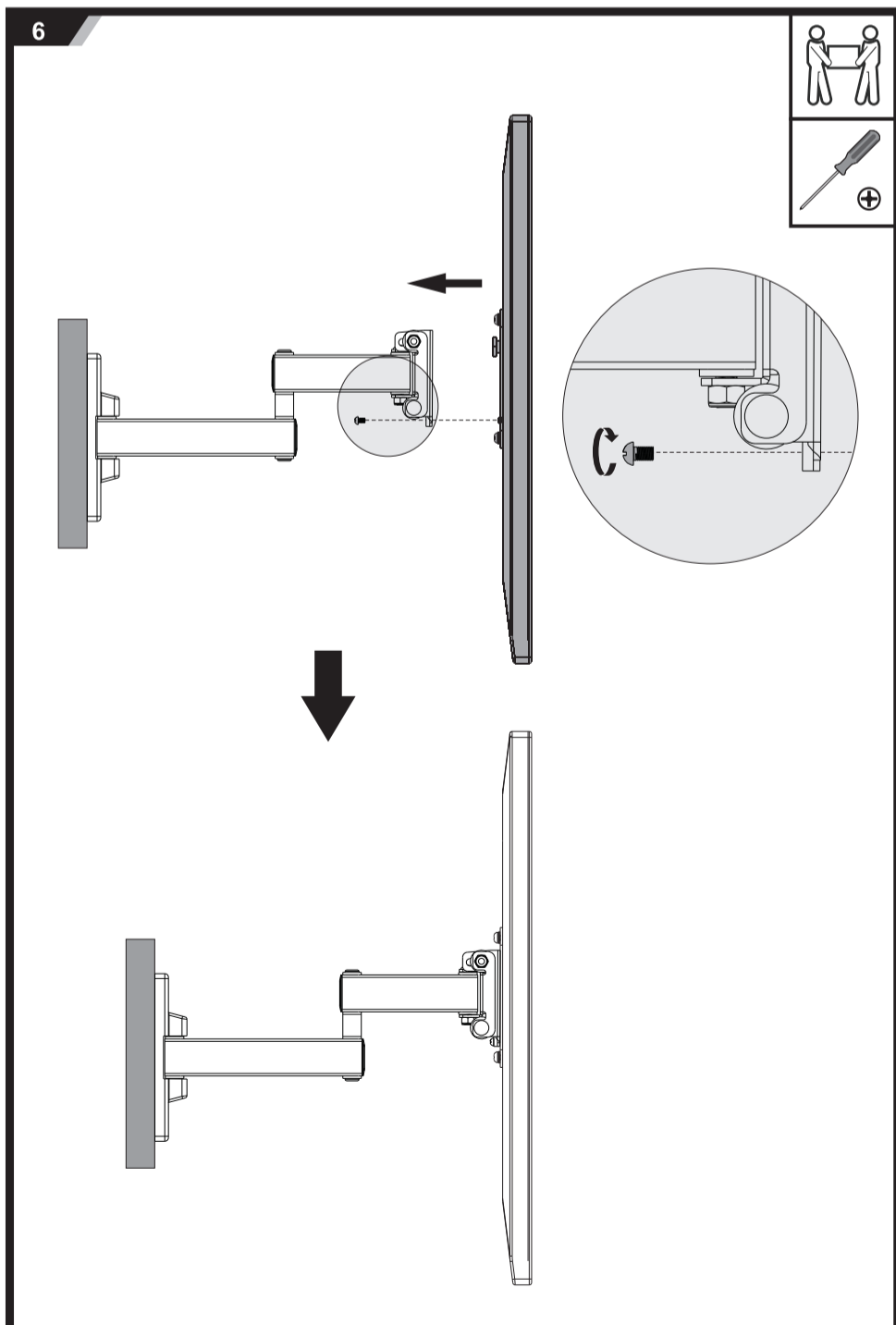


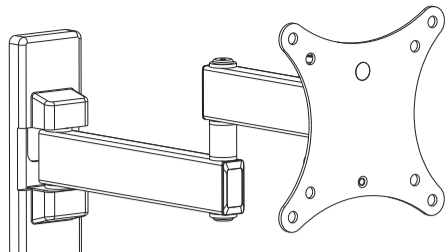
## Articulating LCD/TV Monitor Mount - 13 to 27

### Installation Guide

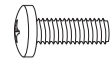


P/N: CE-MT1B12-S2  
04-1158A

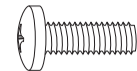




A (x1)



M4x14 (x4)  
M-A



M5x14 (x4)  
M-B



D5 (x4)  
M-C



W-A (x3)

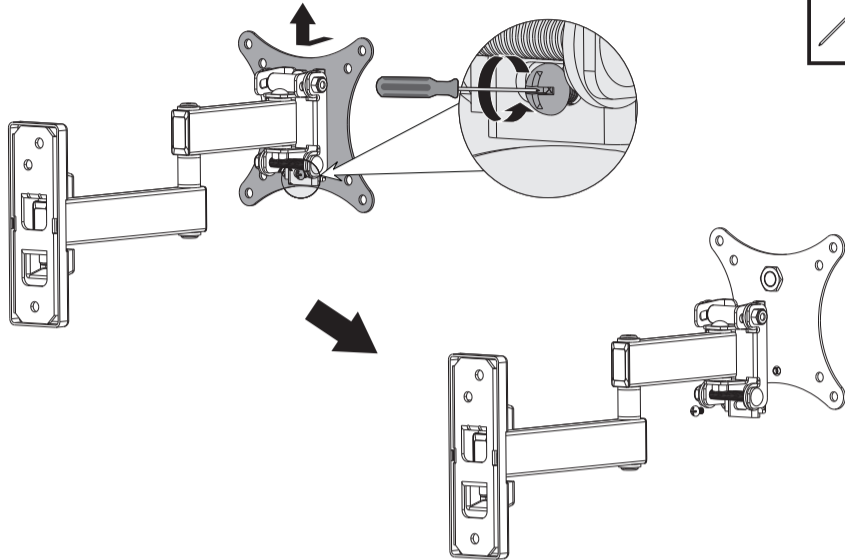


W-B (x3)

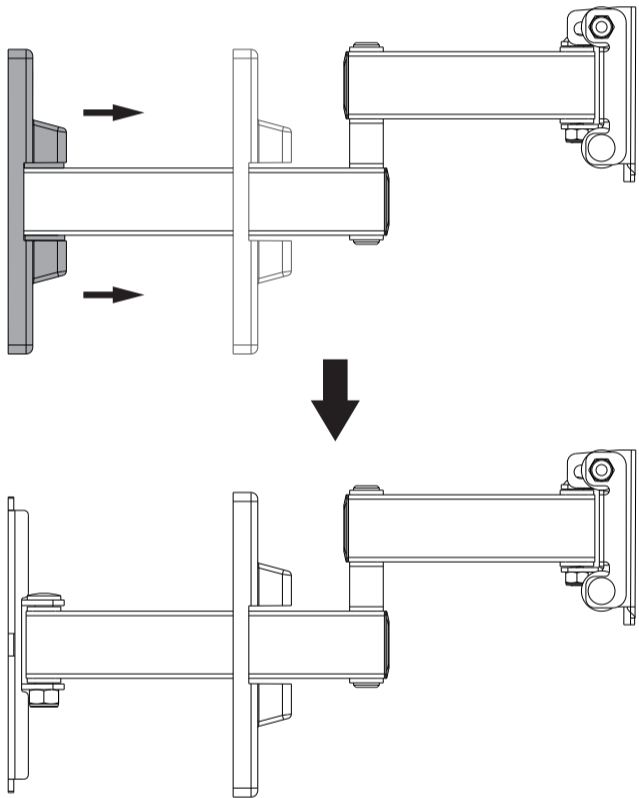


W-C (x3)

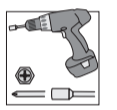
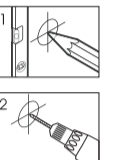
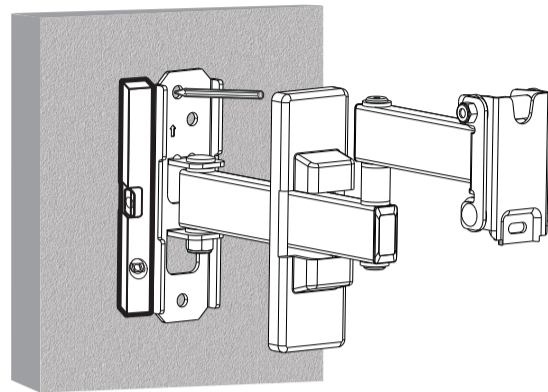
1



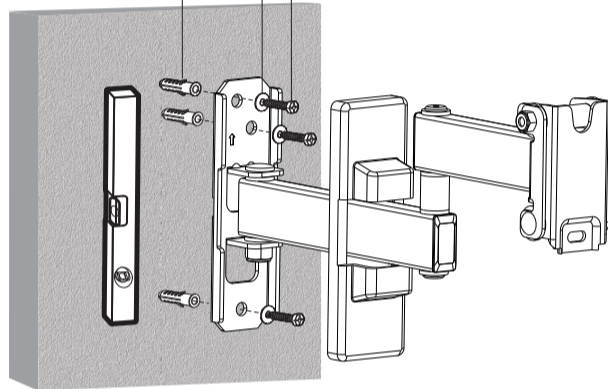
2



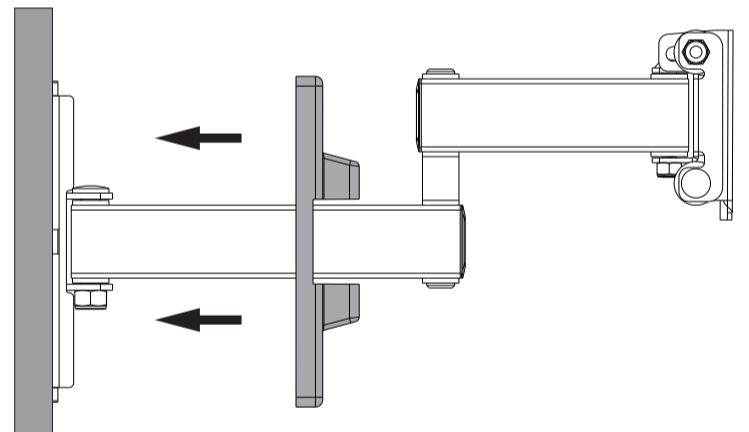
3b



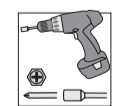
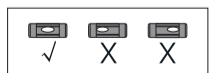
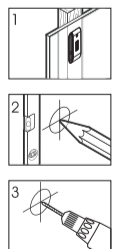
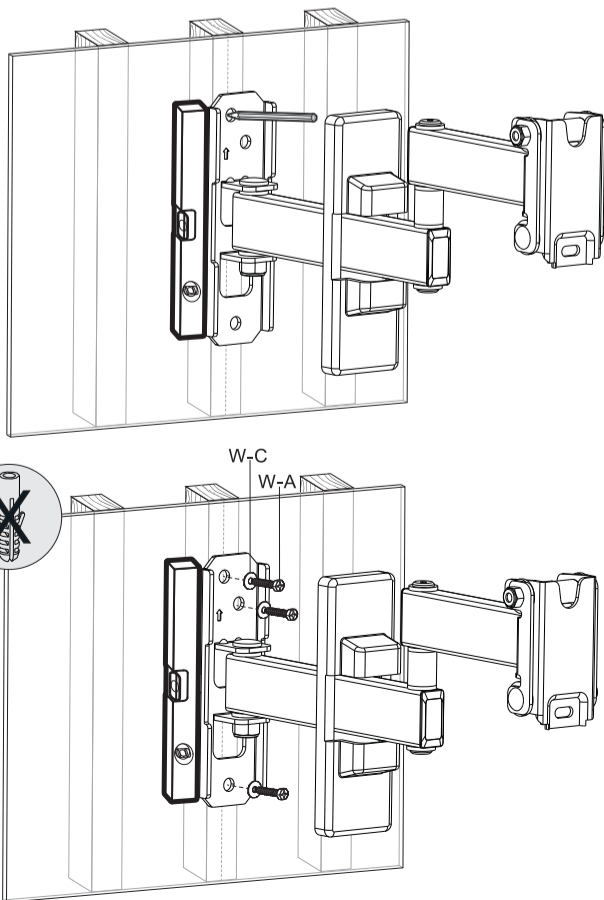
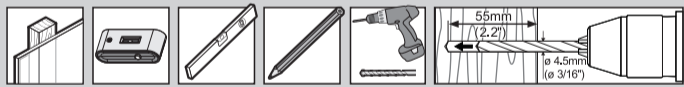
W-B W-C W-A



4



3a



W-C W-A

5

