

Dear Valued Customer

(JUST WANTED YOU TO KNOW)

**WE REALLY
APPRECIATE
YOUR PURCHASE**

~thank you~

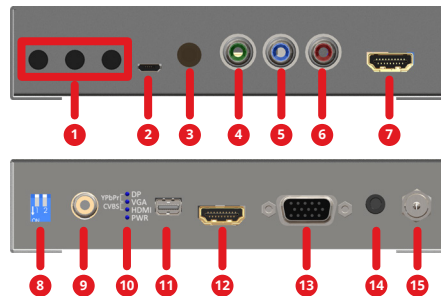
Features

- HDMI 1.4, 10.2Gbps,
- 2 PCM audio(up to 192KHz)
- Support Input: HDMI/mDP/ VGA/CVBS/YPbPr
- Input maximum pixel rate: 165MHz
- Output resolution up to 4K@30 444
- Support video enhancement features
- Software control via Micro-USB
- OSD control interface
- Deinterlacing supported
- Video H/V mirror supported
- Over / under scanning adjustable
- Active video area adjustment supported
- USB firmware upgradable

Package contents

1. Multiple Video to HDMI Scaler Converter
2. Power adapter 12V/2A
3. IR Remote control
4. Ear mount
5. Quick start guide

Layout



1. Push button:
[Left] down [Mid] up [Right] Menu/Enter
2. Micro USB:
Firmware update & software control port
3. IR sensor:
receive the IR commands from IR remote
4. COMPONENT-Y input
5. COMPONENT-Pb input
6. COMPONENT-Pr input
7. HDMI output: connect to HDMI display
8. Dip switch

9. CVBS input
10. Input indicator
11. Mini DP input
12. HDMI input
13. VGA input:
14. Stereo Audio input (for VGA)
15. DC jack: connect to power adapter 12V/2A

Dip switch

Position	Description	
PIN#1	OFF[▲]	normal use
PIN#1	ON[▼]	F/W update
PIN#2	Reserved	

Software control

1. Please search this product on SIIG web site and find the download link on "Downloads" page.
2. Connect the device to PC via USB to mini-USB cable
3. Search the right COM port to connect

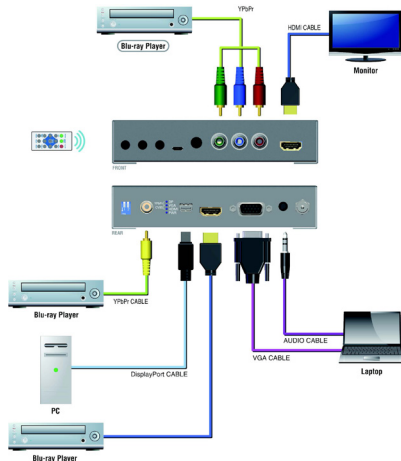
IR Remote Control

Button	Function
FREEZE	Freeze video
ASPECT RATIO	Aspect ratio change
BLANK	Blank video
EXIT	Exit OSD
ENTER	Enter key
UP	Up key
LEFT	Left key
RIGHT	Right key
DOWN	Down key
MENU	Menu on
INPUT INFO	Source resolution information
1080p60	Select 1080p60 output resolution
1080i60	Select 1080i60 output resolution
720p60	Select 720p60 output resolution
480p60	Select 480p60 output resolution

On-Screen Display Menu

1. Output Setup	Output Format		
	Test Pattern	Disable, White, Cross, Hatch, Color, Gray, Windows, H-Ramp, W-HRamp, W-VRamp Diagonal	
	Audio Mute	Off, On	
	Input Type	HDMI, VGA, mDP, YPbPr, CVBS	
2. Image	Contrast	0~255 of Contrast Level	
	Brightness	0~255 of Brightness Level	
	Saturation	0~255 of Saturation Level	
	Hue	0~255 of Hue Level	
	Gamma Adjust	Off, 1.1, 1.3, 0.7, 0.9	
	Color Tone	Off, Green, Skin	
	Edge Enhance	Off, Max, Mid, Min	
	Sharpness	0~64 of Sharpness Level	
	3. Adjustment	Under/Over Scan	-50%~50% of Scan Level
		Aspect Ratio	Stretch, 16:9, 4:3
H-Mirror		Off, On	
V-Mirror		Off, On	
H-Shift		-100~100 of H-Shift Level	
V-Shift		-50~50 of V-Shift Level	
4. System	Input Format		
	F/W Version		
	Factory Reset		
5. Exit			

Application



Support

For more info or tech support

<http://www.siig.com/support>



Multiple Video to HDMI Scaler Converter Quick Start Guide

