



# 2-Port HDMI 2.0 4K HDR Smart Console Switch with USB 3.0 Multi-Media

## User Manual



04-1226A

P/N: CE-H25511-S1



# Safety and Notice

The device has been tested for conformance to safety regulations and requirements, and has been certified for international use. However, like all electronic equipment, the device should be used with care. Please read and follow the safety instructions to protect yourself from possible injury and to minimize the risk of damage to the unit.

- Follow all instructions and warnings marked on this unit.
- Do not attempt to service this unit yourself, except where explained in this manual.
- Provide proper ventilation and air circulation and do not use near water.
- Keep objects that might damage the device and assure that the placement of this unit is on a stable surface.
- Use only the power adapter and power cords and connection cables designed for this unit.
- Do not use liquid or aerosol cleaners to clean this unit.
- Always unplug the power to the device before cleaning.



**Thank You**  
***for your purchase!***

## Features

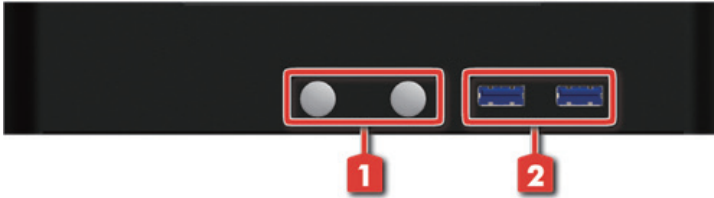
- HDMI 2.0a compliant
- Supports 4K2K@60 4:4:4 8bits, Video bandwidth 18Gbps
- Supports HDR, which is 4K2K@60 4:2:0 10bits
- HDCP 2.2 and 1.4 compliant
- Support separate line input and output
- Plug and Play without any driver needed
- Supports built-in 4-port USB 3.0 HUB to share USB devices
- Supports independent HID keyboard & mouse ports
- Supports hotkeys function
- Supports Dolby Digital PLUS, DTS-HD and Dolby TrueHD audio
- Supports default HDMI EDID and learns the EDID from displays
- Firmware upgradable

## Package contents

- 2-Port HDMI 2.0 4K HDR Smart Console Switch
- Power adapter DC 12V/2A
- USB 3.0 + MIC + Stereo cable x2
- HDMI Cable x2
- User Manual

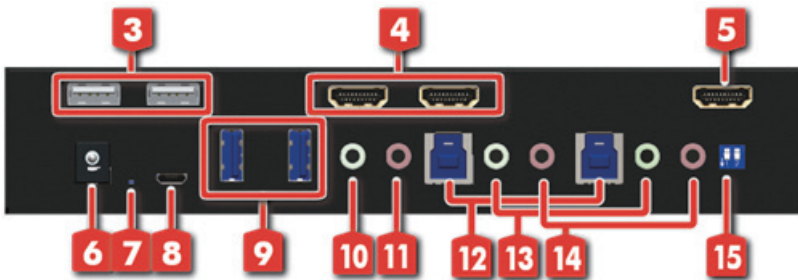
# Layout

## Front Panel



1. **Port 1-2 Selection Push Button:** Switch between computers
2. **USB 3.0 Hub:** Connect to USB devices

## Rear Panel

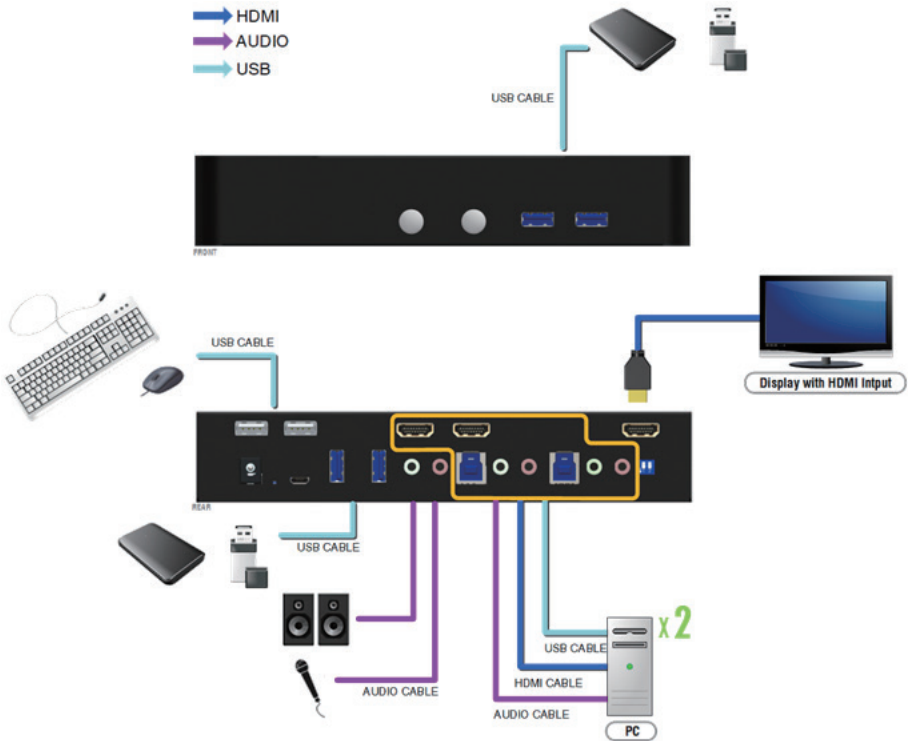


3. **Console USB Ports:** Connect to keyboard & mouse
4. **KVM Video IN 1-2:** Connect the HDMI cable to PC
5. **Console Video OUT:** Connect the HDMI cable to a display
6. **+12V DC:** +12V DC power jack
7. **Power Status:** Power indicator LED
8. **Micro USB:** For F/W update
9. **USB 3.0 Hub:** Connect to USB devices
10. **Stereo Audio OUT:** Connect to analog stereo audio speaker
11. **Stereo Audio IN:** Connect to analog stereo audio source
12. **KVM USB 3.0(Type B):** Connect the USB cable to PC
13. **KVM Stereo Audio OUT 1-2:** Connect the stereo cable to PC
14. **KVM Stereo Audio IN 1-2:** Connect the stereo cable to PC
15. **2-Pin Dip Switch:** For F/W update

# Dip Switch

Position		Description
PIN#1	ON[↓]	KVM firmware update mode
	OFF[↑]	Working mode
PIN#2	ON[↓]	firmware update mode
	OFF[↑]	Working mode

# Application



# Hotkey

Default setting, all of the following commands begin by pressing the [Scroll Lock] key twice. Please follow the hotkey command listed below for selected operating functions:

Hot key Definition	
[Scroll Lock] + [Scroll Lock] + [Ctrl] + [Enter]	Change [Scroll Lock] [Scroll Lock] to [Ctrl] [Ctrl] (Note 1)
[Ctrl] + [Ctrl] + [Scroll Lock] + [Enter]	Change [Ctrl] [Ctrl] to [Scroll Lock] [Scroll Lock]
[Scroll Lock] + [Scroll Lock] + [NUMBER1~2] + [Enter]	Switch input 1~2 source to output
[Scroll Lock] + [Scroll Lock] + [S]	Auto Scan/ Exit Auto Scan mode (Note 2)
[Scroll Lock] + [Scroll Lock] + [I] + [N] + [Enter]	Auto Scan Set [N]: 5~599 (Note 3)
[Scroll Lock] + [Scroll Lock] + [+]	Auto Scan Interval Add 5 Seconds
[Scroll Lock] + [Scroll Lock] + [-]	Auto Scan Interval Subtract 5 Seconds

## Note:

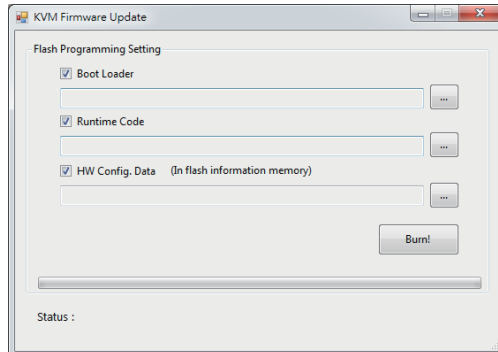
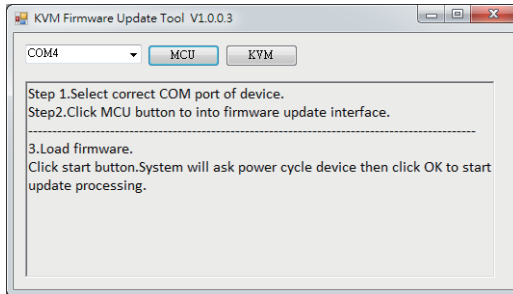
1. You can change the default setting to [Ctrl] [Ctrl], if you are using a Mac keyboard or a keyboard that does not have Scroll Lock key
2. Auto scan through each channel for quick screen browsing (default = 15 seconds)
3. You can set the auto scan interval according to the steps. (N = Number, 5~599)

# Firmware update

Firmware update is proceeded through Micro-USB

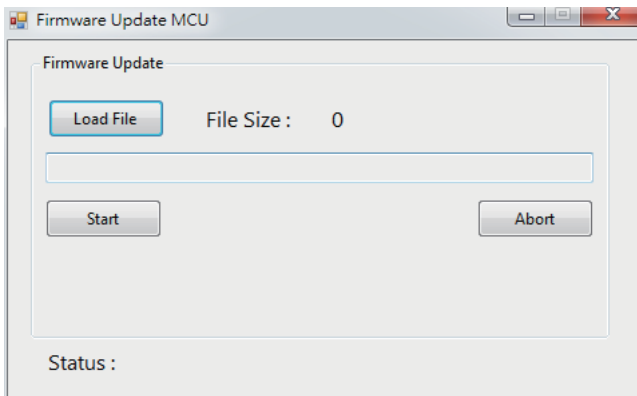
## KVM F/W update

1. Connect the Micro-USB to USB cable between PC and device
2. Set dip switch PIN#1 to ON[↓] and then power on device
3. Open firmware update software and then select COM Port
4. Click “KVM” button to open “KVM Firmware Update” windows
5. Check all items and click each “...” button to select the file which you want to write into device.
6. Click the “Burn!” button to start firmware update
7. After updating, please set the dip switch PIN#1 to OFF [↑] and power cycle the device



## MCU F/W update

1. Connect the Micro-USB to USB cable between PC and device
2. Set dip switch PIN#2 to ON[↓] and then power on device
3. Open firmware update software and then select COM Port
4. Click “MCU” button to open “MCU Firmware Update” windows
5. Click “Load File” button to select the file which you want to write into device.
6. Click the “Start” button to start firmware update
7. After updating, please set the dip switch PIN#2 to OFF [↑] and power cycle the device



## Support

For more info or tech support  
<http://www.siig.com/support>