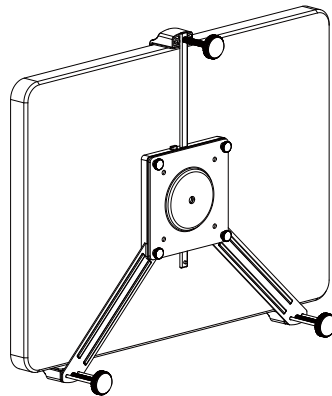




Universal VESA Mount Holder for 17"-32" Non VESA Monitor

Installation Guide



P/N: CE-MT3811-S1
04-1292A

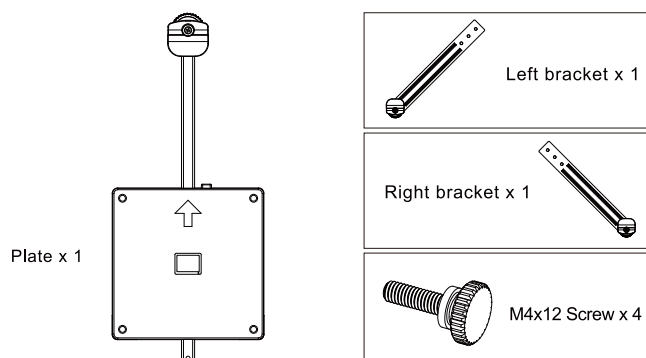
SAFETY INSTRUCTION

Please open the box carefully and read the entire Installation Guide before starting the installation and assembly. Take out all parts inside and place on cardboard or soft surface in order not to damage the product. Ensure that you have received all parts according to the component check list before installation. If any parts are missing or faulty, contact your local distributor for a replacement.

CAUTION

- Safety gear and proper tools must be used. This product should only be installed by professionals.
- If you have any questions regarding any of the instructions or warnings, please contact your local qualified installation contractor.
- This product must be used as specified in the Installation Guide. Improper installation may result in damage or personal injury. Any damage caused by improper installation is not covered by warranty and service.
- This product is intended for indoor use only. Use the mounting screws/parts provided and DO NOT OVER TIGHTEN mounting screws/parts.
- This product contains small parts that could be a choking hazard if swallowed. Keep these parts away from children.
- Check the bracket is secure and safe to use at regular intervals and at least every three months.

COMPONENT CHECK LIST



OVERVIEW

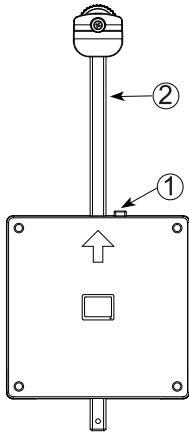


Fig. 1

Press button ① to adjust Top arm length ②

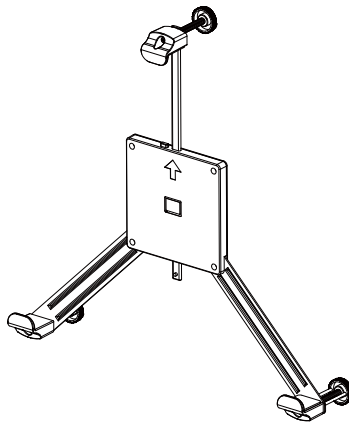


Fig. 2

The side with □ symbol should face the back of the monitor.

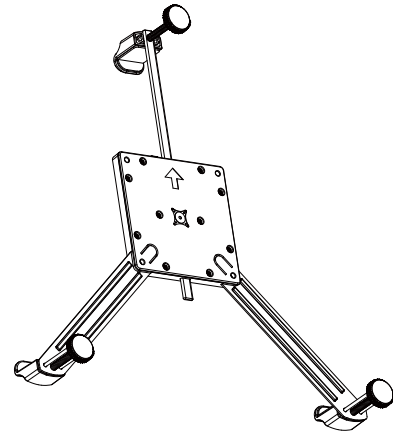


Fig. 3

The side with ⊞ symbol should face the monitor mount.

STEP 1

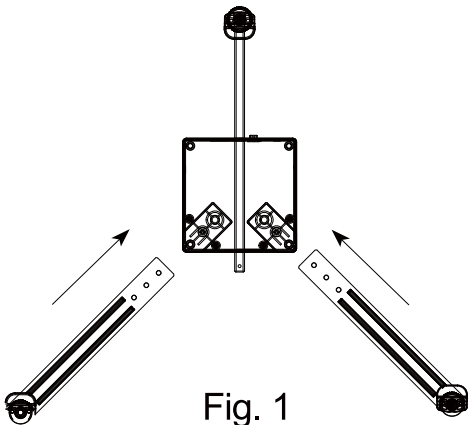


Fig. 1

Fig. 1: Locate inserts on both bottom corners of the plate. Some force may be needed when inserting the Left and Right arm bracket into the Plate.

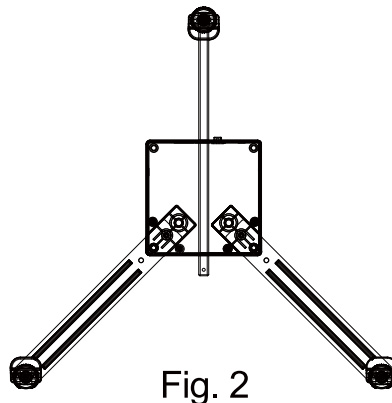


Fig. 2

Fig. 2: Insert to second hole for each Left and Right arm bracket into the Plate.
(For Monitor Heights 9.06" to 17.52")

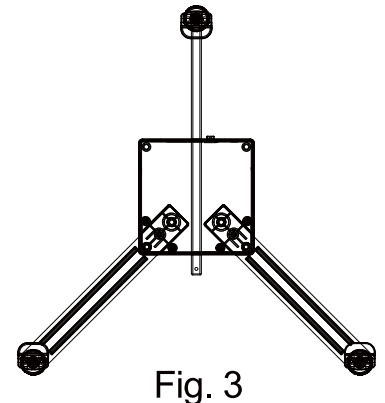
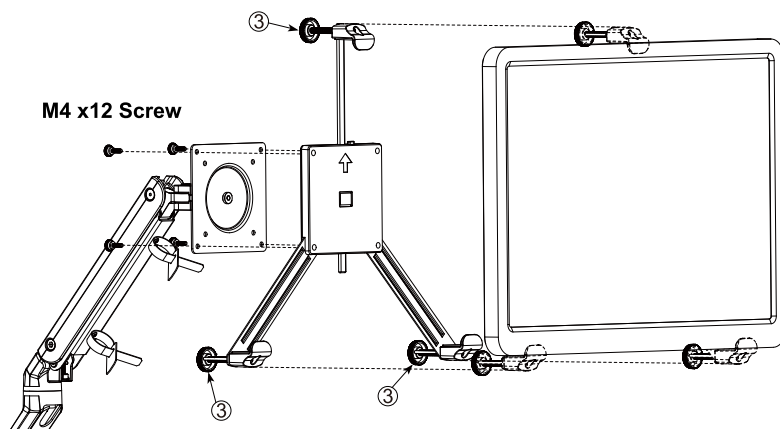


Fig. 3

Fig. 3: Insert to third hole for each Left and Right arm bracket into the Plate.
(For Monitor Heights 8.66" to 17.13")

Warning: Do not only insert the first hole for each Left and Right arm bracket into the Plate as it can severely damage the Plate when mounting a monitor.

STEP 2



Insert M4x12 Screws through the VESA 100 x 100 holes on the monitor mount to screw into each Plate corner. Adjust height of the Top arm for the monitor height. Rotate screws ③ for each arm grip based on the thickness of the monitor. Mount monitor and adjust Top arm and screws ③ to secure. Do not overtighten the screws.