



Thunderbolt 3 DP 1.4 Docking Station with Dual M.2 NVMe User Manual



04-1304A

P/N: JU-DK0K11-S1

Table of Contents

• Features	3
• Package contents	4
• System requirements	5
• What is Thunderbolt 3?	6
• DP alt mode (DisplayPort alternative mode)	7
• USB Power Delivery	7
• Front View	8
• Rear View	9
• PCIe Gen.3 x2 M.2 M-key slot	11
• Using Thunderbolt 3 on Windows 10	13
• Supported Video resolution	14
• Q & A	15
• Support	16



Features

- Support Thunderbolt 3 40G speed connection between host and docking station. (Thunderbolt 3 host required)
- Support single Thunderbolt 3 daisy chain port
- Support single USB 3.1 Gen.2 Type-A port, 10Gbps speed and 5V/2.4A power output
- Support single USB 3.1 Gen.2 Type-C port, 10Gbps speed and 5V/3A power output
- Support dual USB 3.1 Gen.1 Type-A port, 5Gbps speed and 5V/2.4A power output
- All USB Type-A ports support USB BC1.2 charging function for tablet or smartphone charging.
- Support single SD (UHS-II) card reader, 270Mbps speed
- Dual PCIe Gen.3 x2 M.2 M-key slot inside support NVMe PCIe SSD M-key 2280 only, 1500Mbps speed.

- Support single DP 1.4 output, resolution up to 8K@30 or 5K@60
- DisplayPort 1.4 supports HDR, HDCP2.2 and VESA Adaptive-Sync (Thunderbolt 3 with DP 1.4 Alt mode required)
- Support 3.5mm Audio output
- Support 3.5mm Mic input
- Support Giga Ethernet 10/100/1000Mbps
- Support USB PD 3.0 charging 87W

Package contents

- Thunderbolt 3 DP 1.4 Docking Station
- Power adapter DC 20V / 7.5A
- Thunderbolt 3 cable 40G 100W
- User Manual



System requirements

- Host computer system with an available Thunderbolt 3 port
- Windows® 10
- Mac OS X® 10.14 or above

Operating system requirements are subject to change. For the latest requirements, please visit www.siig.com and search JU-DK0K11-1

Note:

If you connect the docking station to a USB Type-C host port or use a USB Type-C cable, the docking station will not work normally.

What is Thunderbolt 3?

Thunderbolt 3 technology uses the USB-C connector and offers bandwidth up to 40Gbps. that is capable to support for the following:

- USB 3.1 Gen 1 support up to 5 Gbps data transfer rate and USB 3.1 Gen 2 support up to 10Gbps data transfer rate
- USB Power Delivery up to 100W, if both the host and the device support it
- DP Alternate modes, the signal is based on the DisplayPort version to deliver different speeds.
- PCI Express 3.0

Thunderbolt 3 products must be used with Thunderbolt 3 cables. Ensure your Thunderbolt 3 cable is 40G with 100W version.

Not all USB-C ports are Thunderbolt 3. For more information, please refer to the information provided by the manufacturers.

DP alt mode (DisplayPort alternative mode)

This docking station supports DP alt mode, which means a DisplayPort video signal can be transferred over a Thunderbolt 3 cable.

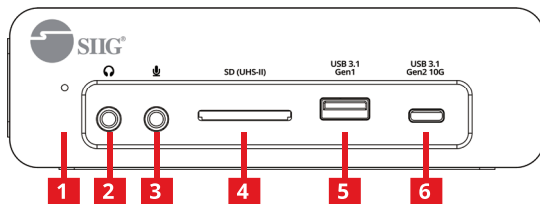
Because the docking station supports DP alt mode, so the DP port can output the video directly via DP alt mode without other driver installs.

USB Power Delivery

This docking station supports USB Power Delivery, which means it delivers up to 100 watts of power to your connected host laptop (your laptop's TBT3 port must support power delivery). USB Power Delivery is a specification that allows power to be sent over a USB-C or Thunderbolt 3 cable that supports the specification.

Ensure your Thunderbolt 3 cable can support PD 100W transfer or use the included Thunderbolt 3 cable.

Front View



- 1. Power LED:**
keep shining when power on
- 2. 3.5mm Audio output jack:**
connect to earphone
(not include microphone)
- 3. 3.5mm Audio input jack:**
connect to Microphone
- 4. SD card reader:**
UHS-II interface, support SDHC, SDXC and SDUC, 270Mbps speed
- 5. USB 3.1 Gen.1 Type-A port:**
Support USB UASP mode, 5Gbps speed and 5V/2.4A power output.
Connect for USB peripherals.
Support USB BC1.2 charging function for tablet or smartphone charging.

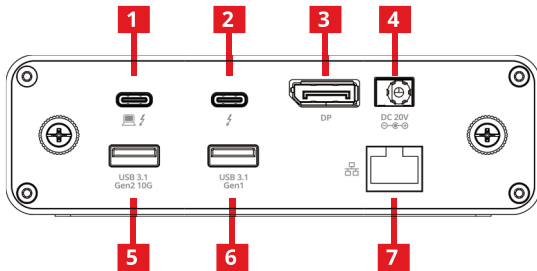
6. USB 3.1 Gen.2 Type-C port:

Support USB UASP mode, 10Gbps speed and 5V/3A power output.

Connect for USB peripherals.

Support charging for tablet or smartphone

Rear View



1. Thunderbolt 3 host:

Connect to Thunderbolt 3 port which supports USB Power Delivery in order to power and charge your laptop.

Not all USB-C ports are Thunderbolt 3

Ensure you are connecting to

Thunderbolt 3 port, and using include

Thunderbolt 3 cable or approved

Thunderbolt 3 40G 100W cable.

- 2. Thunderbolt 3 daisy chain port:**
Connect for Thunderbolt 3 peripherals.
If connect to Type-C display adapter,
resolution up to 8K@30 or 5K@60
Output power 15W
- 3. DisplayPort 1.4 video output**
This video output via host DP Alt mode
Connect to DP display. Resolution up
to 8K@30Hz or 5K@60HZ.
If Thunderbolt 3 host is DP 1.2 version
will support 4K@60Hz only.
- 4. Power jack:**
Connect the Power Adapter to the DC
Power Input Port on the Docking
Station. DC 20V/7.5A
- 5. USB 3.1 Gen.2 Type-A port:**
Support USB UASP mode, 10Gbps
speed and 5V/2.4A power output.
Connect for USB peripherals.
Support USB BC1.2 charging function
for tablet or smartphone charging.

6. **USB 3.1 Gen.1 Type-A port:**

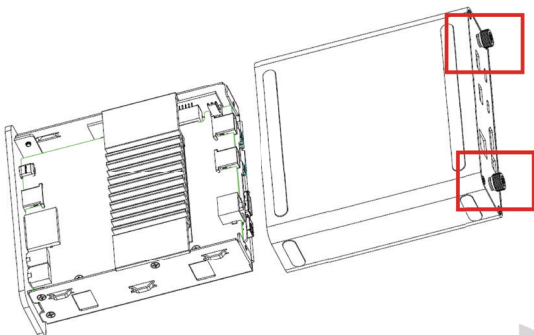
Support USB UASP mode, 5Gbps speed and 5V/2.4A power output. Connect for USB peripherals. Support USB BC1.2 charging function for tablet or smartphone charging.

7. **RJ-45 Gigabit Ethernet port**

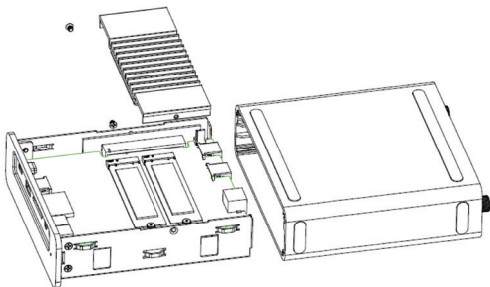
connect to ethernet router or switch (Support 1000/100/10 Mbps)

PCIe Gen.3 x2 M.2 M-key slot

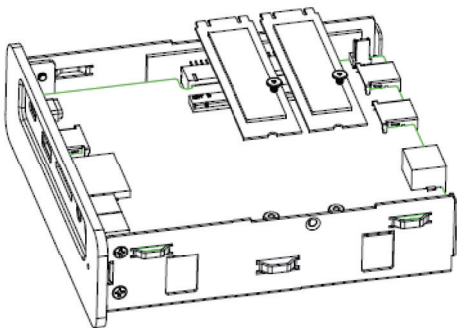
1. Unscrew the thumbscrews on the back and open the tray.



2. Unscrew the heat sink screw and remove it.



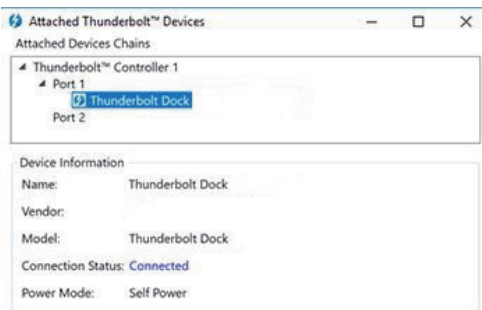
3. Install the M.2 SSDs and use screws to fix them.
support NVMe PCIe SSD M-key 2280 only, 1500Mbps speed.



4. Reinstall the heat sink and close the tray.

Using Thunderbolt 3 on Windows 10

In Windows 10 you might see a pop-up message requesting permission to allow the docking to connect to your computer. If you see this pop-up message, select Always Connect from the list and click OK. If required, follow any other on-screen instructions to complete the installation.



Supported Video resolution

DP 1.4 Host Video Output	Max. Resolution
Only DisplayPort Output	8K@30
Only Thunderbolt 3 daisy chain Output	8K@30
DisplayPort Output + Thunderbolt 3 daisy chain Output	4K@60 + 4K@60

DP 1.2 Host Video Output	Max. Resolution
Only DisplayPort Output	4K@60
Only Thunderbolt 3 daisy chain Output	4K@60
DisplayPort Output + Thunderbolt 3 daisy chain Output	4K@60 + 4K@60

Q & A

- **Why my Windows 10 can not connect to the docking station?**

Ensure you have approved the docking station connection in Thunderbolt 3 control software.

- **Why my laptop can't get 87W charging?**

It depends on laptop charging spec, not all laptops need 87W input.

- **Why my DP output has no 8K resolution?**

Ensure your Thunderbolt 3 host port support DP 1.4 version. Otherwise, DP 1.2 can only support 4K@60

- **Why my DP output does not support HDR and VESA Adaptive-Sync?**

Ensure your Thunderbolt 3 host port supports DP 1.4 version. Otherwise, DP 1.2 can not support it.

Dear Valued Customer

**WE REALLY
APPRECIATE
YOUR PURCHASE**

~thank you~

Support

For more info or tech support
<http://www.siig.com/support>