



USB 3.2 Gen 2x2 Type-C 20G NVMe SSD Enclosure

User Manual



04-1318A

P/N: JU-SA0X11-S1

Features

- USB 3.2 Gen2x2 speed 20 Gbit/s
- Compatible with USB 3.1 10Gbit/s and USB 3.0 5Gbit/s
- Only Support M.2 PCIe NVME SSD
- Support sizes 2242, 2260 and 2280
- Thermal Pad included can promote heat dissipation
- No driver installation required

Package contents

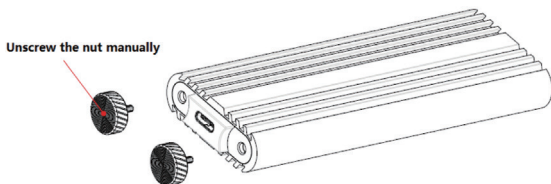
- USB 3.2 Gen 2x2 20G NVMe SSD Enclosure
- USB 3.2 Gen 2x2 USB-C to USB-C cable
- Thermal Pad
- User Manual

System requirements

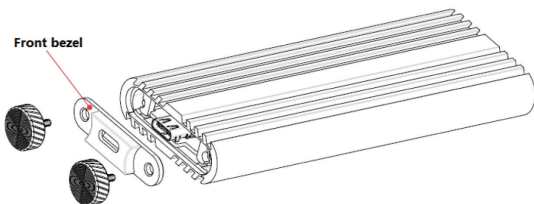
- An available USB 3.2 Gen2x2 Type-C Port
- Windows® 10 / 8 .1/ 8 / 7 (32/64 bit)
- Mac OS X® 10.10 or later

Hardware Installation

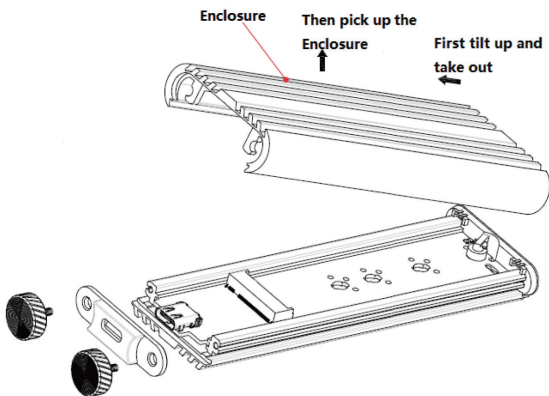
1. Manually unscrew the two nutsR



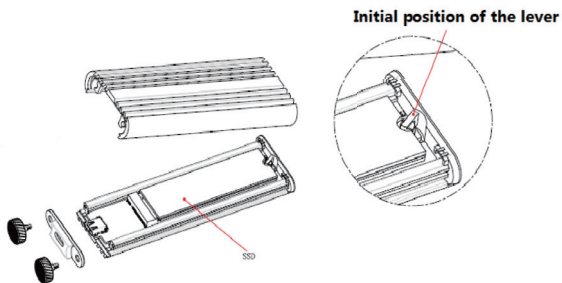
2. Remove the front bezel

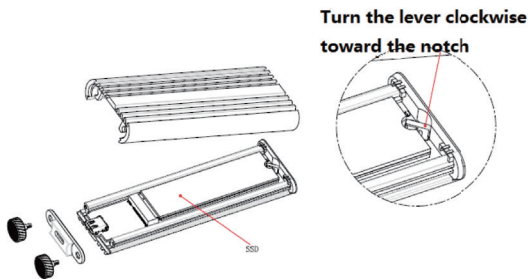


3. Tilt-up to take out the enclosure

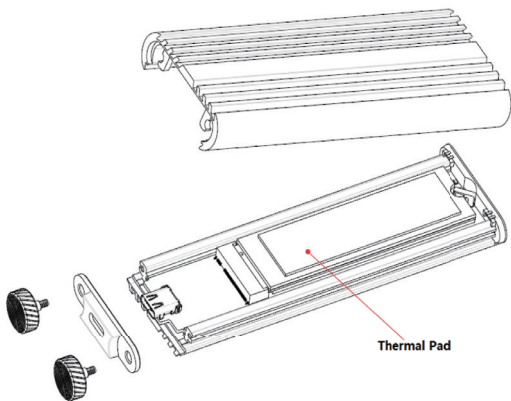


4. Insert the SSD, and then rotate the lever clockwise toward the notch.

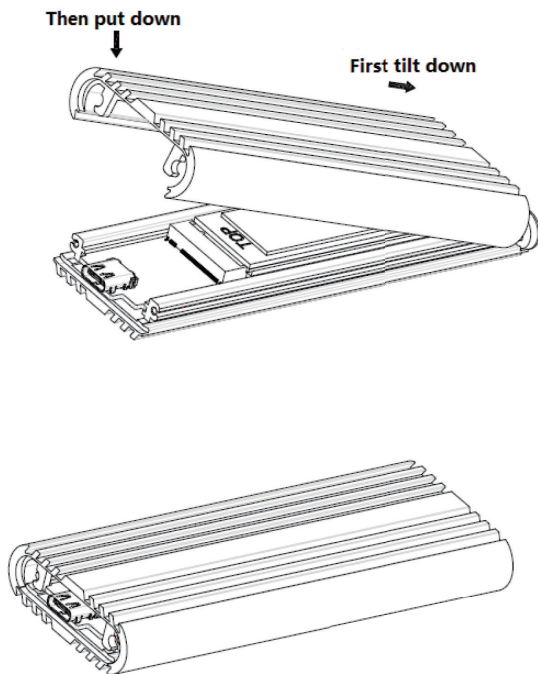




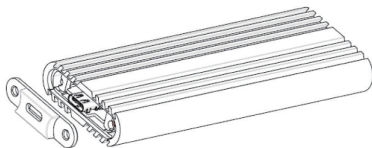
5. Paste the thermal pad



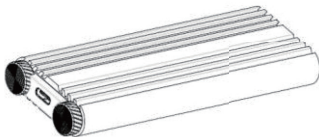
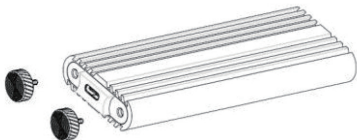
6. Tilt down to install the enclosure



7. Install the front bezel



8. Manually install two nuts



Dear Valued Customer

**WE REALLY
APPRECIATE
YOUR PURCHASE**

~thank you~

Support

For more info or tech support
<http://www.siig.com/support>