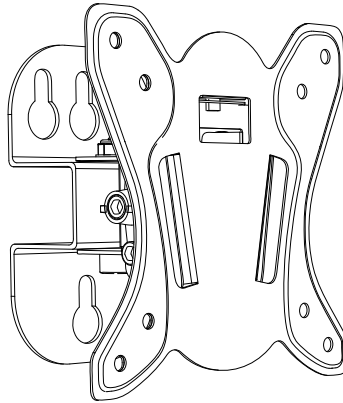




LCD TV Monitor Wall Mount - 10" to 27"

Installation Guide



P/N: CE-MT3C11-S1
04-1322A

VESA hole pattern: 75x75, 100x100. Max loading: 25kgs

SAFETY INSTRUCTION

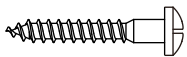
Please open the box carefully and read the entire Installation Guide before starting the installation and assembly. Take out all parts inside and place on cardboard or soft surface in order not to damage the product. Ensure that you have received all parts according to the component check list before installation. If any parts are missing or faulty, contact your local distributor for a replacement.

CAUTION

- Safety gear and proper tools must be used. This product should only be installed by professionals.
- If you have any questions regarding any of the instructions or warnings, please contact your local qualified installation contractor.
- This product must be used as specified in the Installation Guide. Improper installation may result in damage or personal injury. Any damage caused by improper installation is not covered by warranty and service.
- This product is intended for indoor use only. Use the mounting screws/parts provided and **DO NOT OVER TIGHTEN** mounting screws/parts.
- This product contains small parts that could be a choking hazard if swallowed. Keep these parts away from children.
- Check the bracket is secure and safe to use at regular intervals and at least every three months.

COMPONENT CHECK LIST

Please check the parts in the package in comparison with the following list, make sure all of the parts are in the package. Never use defective parts, never replace the part with different specification.



(A) M6x50 Self-tap Screw (3)



(B) 8x40 Plastic Anchor (3)



(C) Φ6.6 Flat washer (3)



(D) Φ6 Flat washer (4)



(E) 12mm Plastic Sleeve (4)



(F) M4x10 screws (4)



(G) M5x10 screws (4)



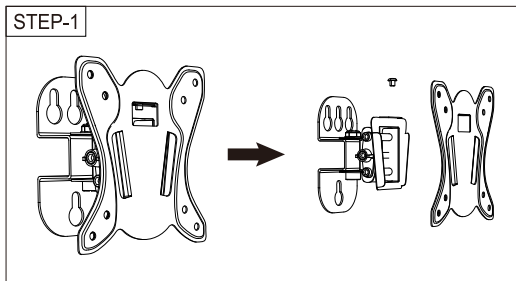
(H) M6x10 screws (4)



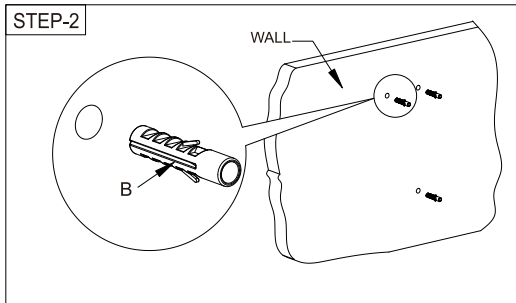
(I) M6x25 screws (4)



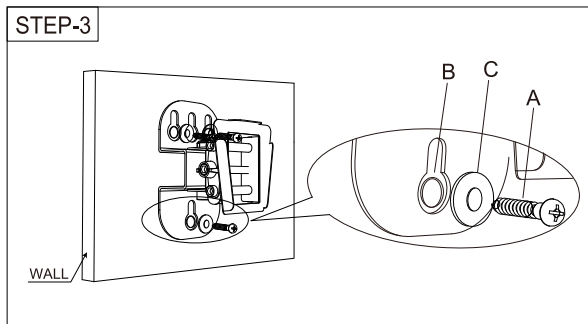
(J) 4mm Wrench



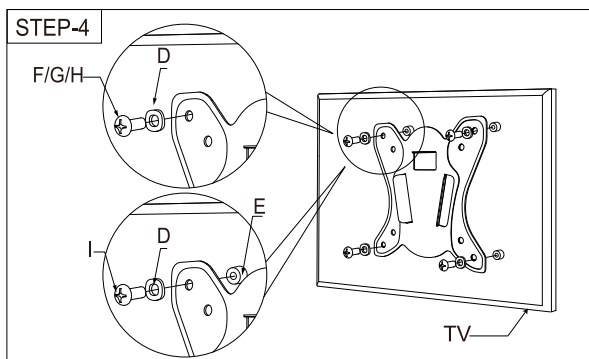
Step1:
Remove the VESA Plate.



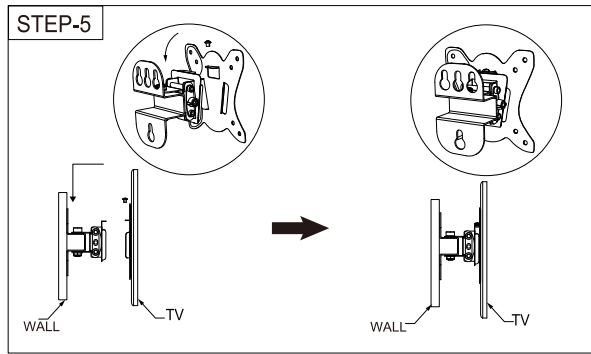
Step2:
Use the wall plate as a template to drill three holes of dia. 8mm and 50mm depth in the wall. Then wedge three plastic anchors into the holes.



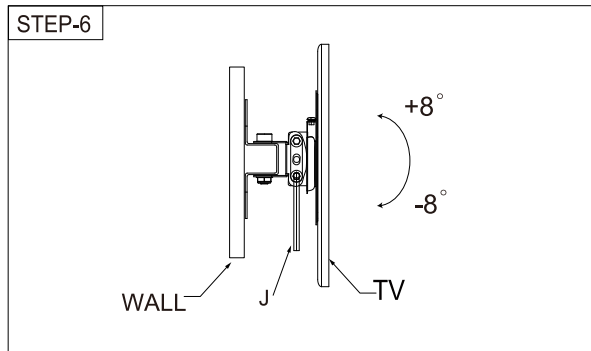
Step3:
Fix the wall dead plate with three lag bolts to install the wall fixed installation for the panel TV on the vertical wall.



Step4:
Select the right screw sets from the screw packing and install the TV Plate onto the back of the TV.



Step5:
Hang the TV Plate with the TV Set onto the arm connect part and screw tighten at last.



Step 6:
The knobs should be loosened before adjusting the angle of view for the flat panel TV between +8~-8 After the position has been determined, the knobs should be screwed down furthest.