



Adjustable Raiser Stand Holder for Laptop



P/N: CE-MT3911-S1
04-1324A



Product Feature

1. Loading up to 10KG;
2. 9 levels of view angel adjustment
3. Stands in base could rise up the height by 65mm.
4. Room in base could store keyboard & mouse.
5. This unit could be monitor riser when it is in flat status.

Product Spec.

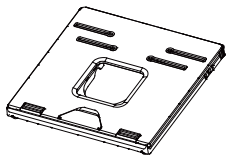
Dimension	Level one: 280*280*25.5mm Level two: 280*280*90.5mm
Material	Metal & Plastics

Accessory

Item	Q'ty
Product	1 pcs
User Manual	1 pcs

Operation Procedure

1. Take out product & accessory from box.

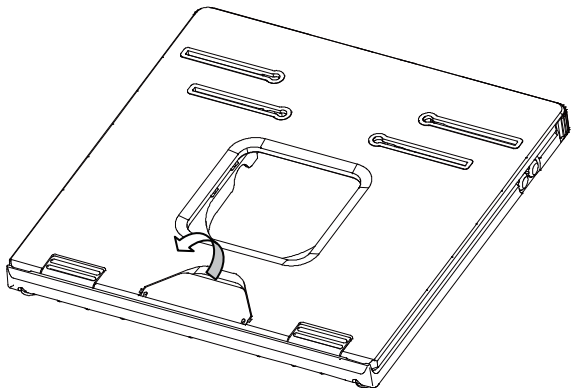


Product

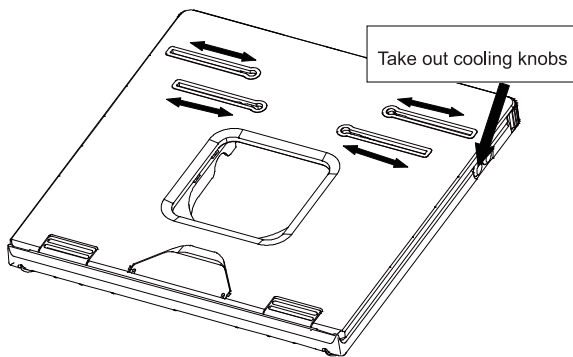


User Manual

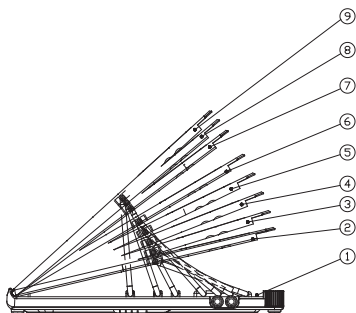
2. Open holder.



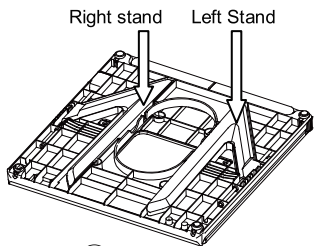
1. Take out cooling knobs and put into the proper slot. User could adjust the position according to your Laptop or tablet size



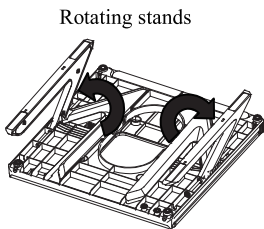
2. Adjusting proper view angle. There are total 9 levels for choice.



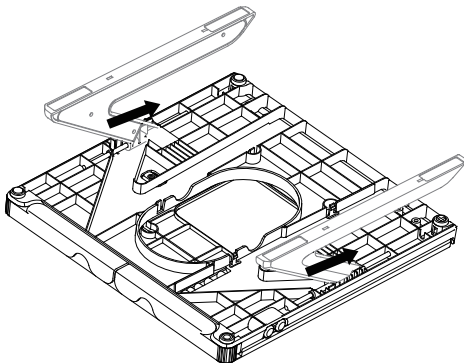
1. Open stands on both sides as storage room of keyboard & mouse.



①



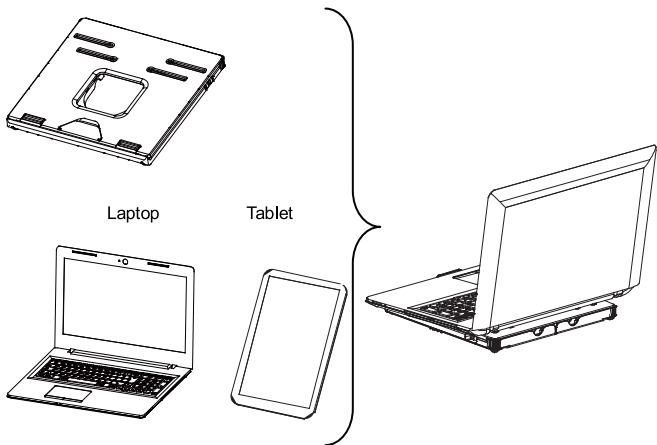
②



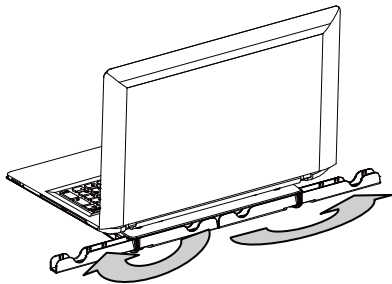
③

Per arrow direction showed
to fix stands after rotating

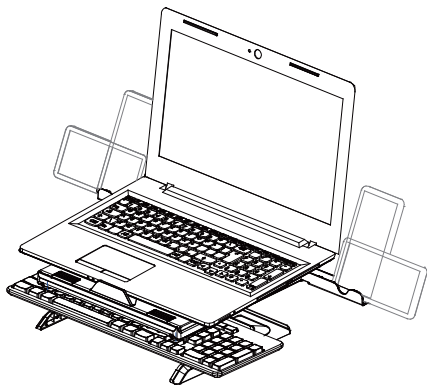
1. Get ready to use your gears.



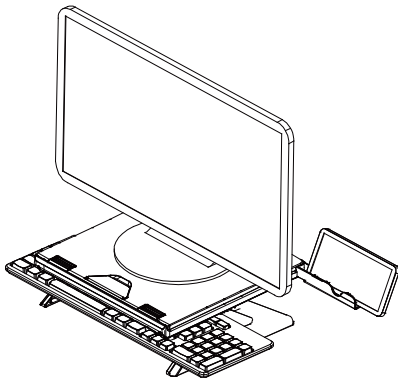
2. Two mobile phone stands on both sides and user could rotate them out for using.



1. Product Demo picture



2. It could be used as monitor stand riser in flat status.



Support

For more info or tech support

<http://www.siig.com/support>