

Features

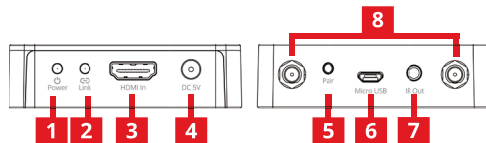
- HDMI 1.3 & HDCP 1.4 compliant
- Build-in EDID, resolution up to 1080p@60Hz
- HDMI wireless transmission distance up to 330ft/100m. (In an open environment without Wi-Fi interference.)
- Support one-way IR extend
- Support PCM 2ch audio
- Adopt H.265 high-performance codec technology
- 5G Wireless connectivity

Package contents

1. Wireless HDMI Transmitter
2. Wireless HDMI Receiver
3. Power adapter 5V/1A x2
4. 5G WiFi antenna x4
5. IR Emitter Cable (For TX IR out)
6. IR Receiver Cable (For RX IR in)
7. Quick start guide

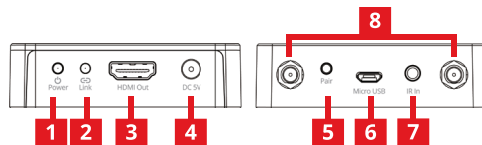
Layout

Transmitter



1. **Power LED:**
2. **Link LED:** Shine when signal connected.
3. **HDMI In:** Connect to HDMI source
4. **DC Power jack:** connect to power adapter DC 5C/1A
5. **Pair button:**
6. **Micro USB:** For firmware update
7. **IR Out:** Connect to IR Emitter Cable
8. **Antenna port:** Connect to WiFi antenna

Receiver



1. **Power LED:**
2. **Link LED:** Shine when signal connected.
3. **HDMI Out:** Connect to HDMI display
4. **DC Power jack:** connect to power adapter DC 5C/1A
5. **Pair button:**
6. **Micro USB:** For firmware update
7. **IR In:** Connect to IR Receiver Cable
8. **Antenna port:** Connect to WiFi antenna

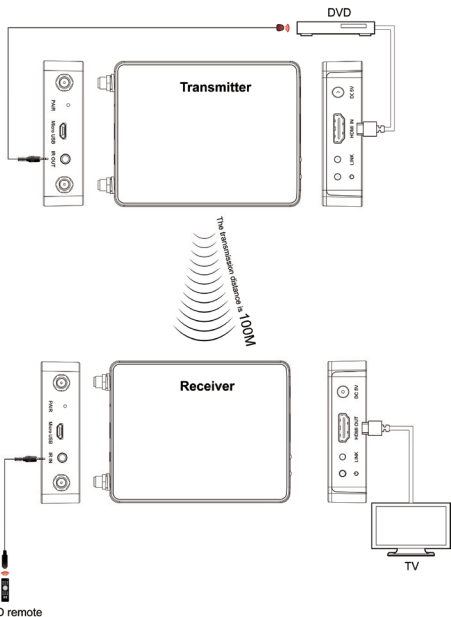
Pairing Instruction

Power on the TX & RX, then simultaneously press their PAIR buttons for three seconds, then LINK LEDs on both of them will flick quickly. If the LINK LED of the RX turns to illuminate, but the LINK LED of the TX still flickers quickly, it indicates successful pairing. Then, release the button, both the LINK LEDs will be off. When there is signal transmission between the TX and RX, both the LINK LEDs will flick slowly.

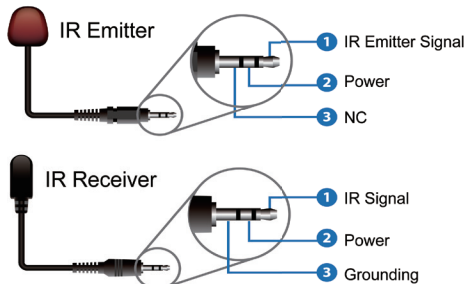
Updating Instruction

Change the name of the update file to be "update.bin", then put it in the root directory of USB disk. Power off the unit and insert the USB disk into the Micro USB port. Press and hold on the PAIR button, and power on the unit simultaneously. If the LINK LED illuminates, it indicates that the unit is updating the firmware, then release the button. After the updating is finished, the LINK LED will be off automatically.

Application



IR pin Definition



Dear Valued Customer

**WE REALLY
APPRECIATE
YOUR PURCHASE**

~thank you~

Support

For more info or tech support
<http://www.siig.com/support>



**Dual Antenna Wireless HDMI
Extender with IR-100M**

Quick Start Guide



**TWO
YEAR**
Manufacturer
Warranty