



1x3 DVI Splitter



P/N: AV-GM0503-S1

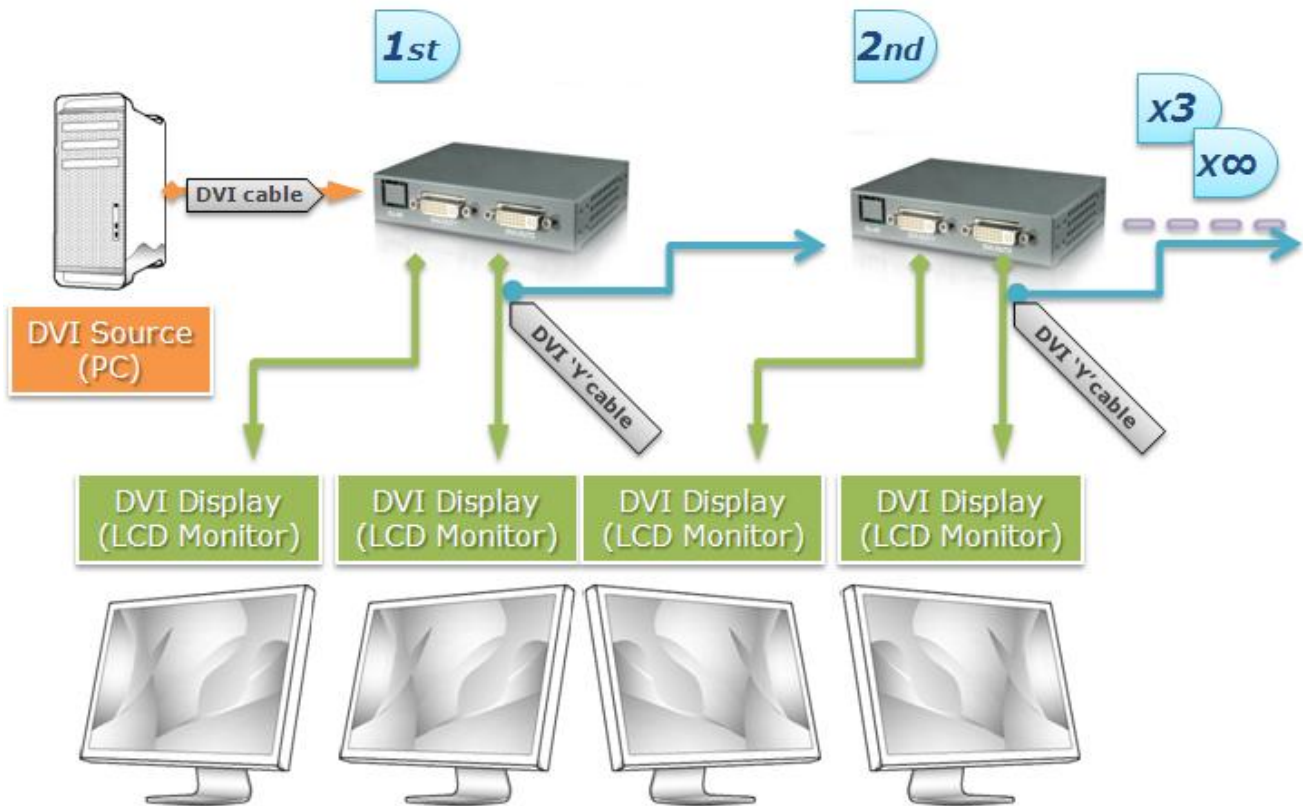


Safety and Notice

The **AV-GM0503-S1 1x3 DVI Splitter** has been tested for conformity to safety regulations and requirements, and has been certified for international use. However, like all electronic equipments, the AV-GM0503-S1 should be used with care. Please read and follow the safety instructions to protect yourself from possible injury and to minimize the risk of damage to the unit.

- Follow all instructions and warnings marked on this unit.
- Do not attempt to service this unit yourself, except where explained in this manual.
- Provide proper ventilation and air circulation and do not use near water.
- Keep objects that might damage the device and assure that the placement of this unit is on a stable surface.
- Use only the power adapter and power cords and connection cables designed for this unit.
- Do not use liquid or aerosol cleaners to clean this unit. Always unplug the power to the device before cleaning.

The AV-GM0503-S1 receives and reconstructs (equalizing & reclocking) a DVI signal and distributes it to three identical outputs. It can be perfectly cascaded with one another in order to obtain more DVI outputs (at least 6 tiers). Each output can be turned on/off individually through an IR remote control. It will also process (read & store) the EDID information sent over the Data Display Channel (DDC).



Features

- Connects a DVI video source to 3 DVI compatible displays (comes with a DVI Y-cable)
- Perfectly as a repeater by regenerating the DVI signal
- Stackable, 8 devices stacked can support up to 17 outputs
- IR remote control allows switching outputs
- Reads and remembers the EDID of displays
- Can be modified EQ with two modes
- Extends greater than 14m/45ft of input/output DVI cable

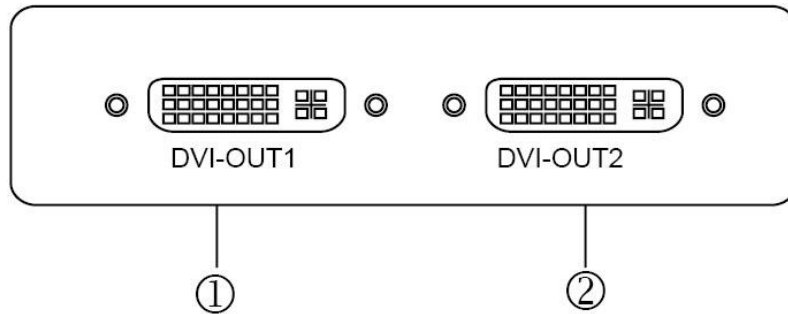
Package Contents

- 1x AV-GM0503-S1
- 1x DVI Y-cable
- 1x 5V DC power adapter
- 1x User Manual
- 1x Remote Control (optional)

Technical Specifications

- Input connector: 1 x DVI-I
- Output connector: 2 x DVI-I
- Maximum Resolution: 1600 x 1200
- LEDs: 1 x Green (ID), 1 x Red (Power)
- DIP switch: 2
- Power Supply: 5V DC
- Dimensions: 120mm x 88mm x 25mm (4.7"x3.5"x1") (L x W x H)
- Weight: 300g (10.6oz)

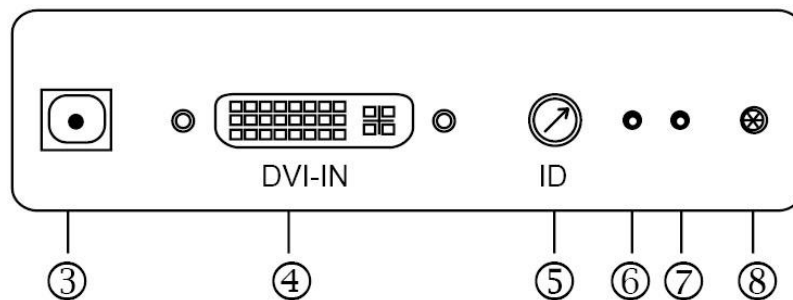
Front Panel



1. Connect a DVI display here.
2. Connect a DVI display or two displays by a DVI Y-cable.

**While cascading, use the short line of the DVI Y-cable to connect to the next AV-GM0503-S1 DVI input and the long line to connect to a display.*

Rear Panel



3. 5V DC
4. Connect a device equipped with DVI output (such as a PC) to AV-GM0503-S1 here.
5. Rotary switch- Assign an ID (0-7) for the device while cascading. For example, you can set rotary switch at 1 for the first AV-GM0503-S1 and 2 for the second AV-GM0503-S1. Please ignore the rotary switch when only single AV-GM0503-S1 exists.
6. Green LED- lights when the AV-GM0503-S1 is selected.
7. Red LED- lights when power on.
8. Infrared Receiver

Bottom Panel



| | | Mode |
|---|-----|---|
| 1 | On | Open EQ. Less noise but more power consumption. |
| | Off | Close EQ. |
| 2 | On | Writing default EDID. <i>*Set the DIP switch at on and plug in power cord. The green LED will light after the writing process is completed.</i> |
| | Off | Record EDID of the connected display via DVI-OUT1 <i>*Plug in DVI cable first from the display and then plug in power cord. The recording process will be initiated and the green LED lights. The green LED will turn of after the reading process is completed.</i> |

Warning!! Don't plug in DVI source while the AV-GM0503-S1 is writing default EDID or recording EDID from displays. This will cause damage to the EDID in the flesh memory.

If you cannot boot your computer from the connected AV-GM0503-S1 due to the damaged EDID in the AV-GM0503-S1, please proceed the "Writing default EDID" and then "Recording EDID of the connected display". This will enforce the AV-GM0503-S1 to write the EDID from display.

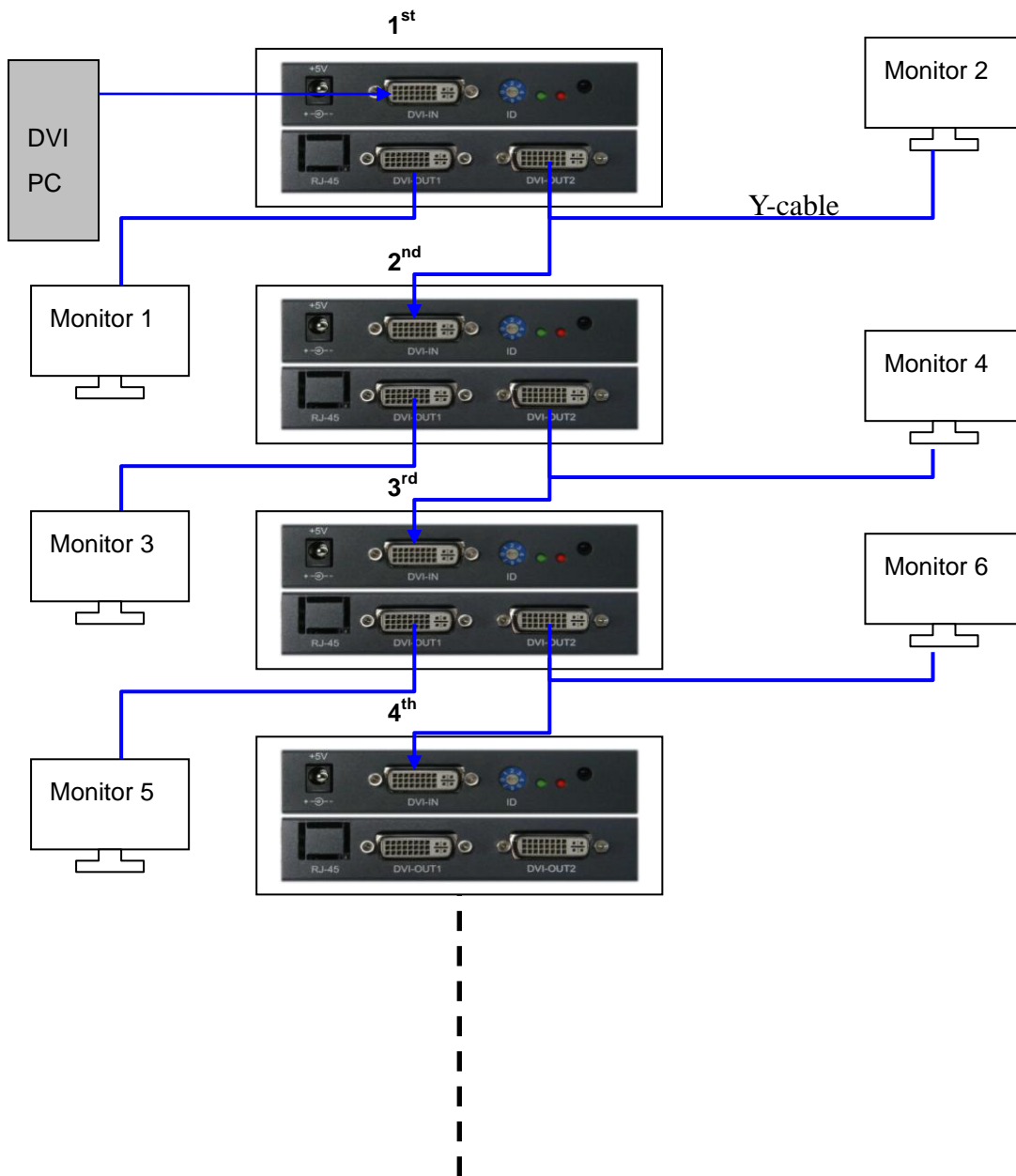
- We suggest you connect the monitor with the **lowest resolution** support to the DVI-OUT 1. *(E.g. Suppose monitor A might support a maximum resolution of 1920 x 1200, monitor B supports a maximum resolution of 1280 x 1024 and monitor C supports a maximum resolution of 1024 x 768, please connect monitor C to DVI-OUT 1).*
- Unless you would like to use the default universal EDID, please set DIP switch 2 at off position, which allows the AV-GM0503-S1 to read the first connected monitor's EDID.

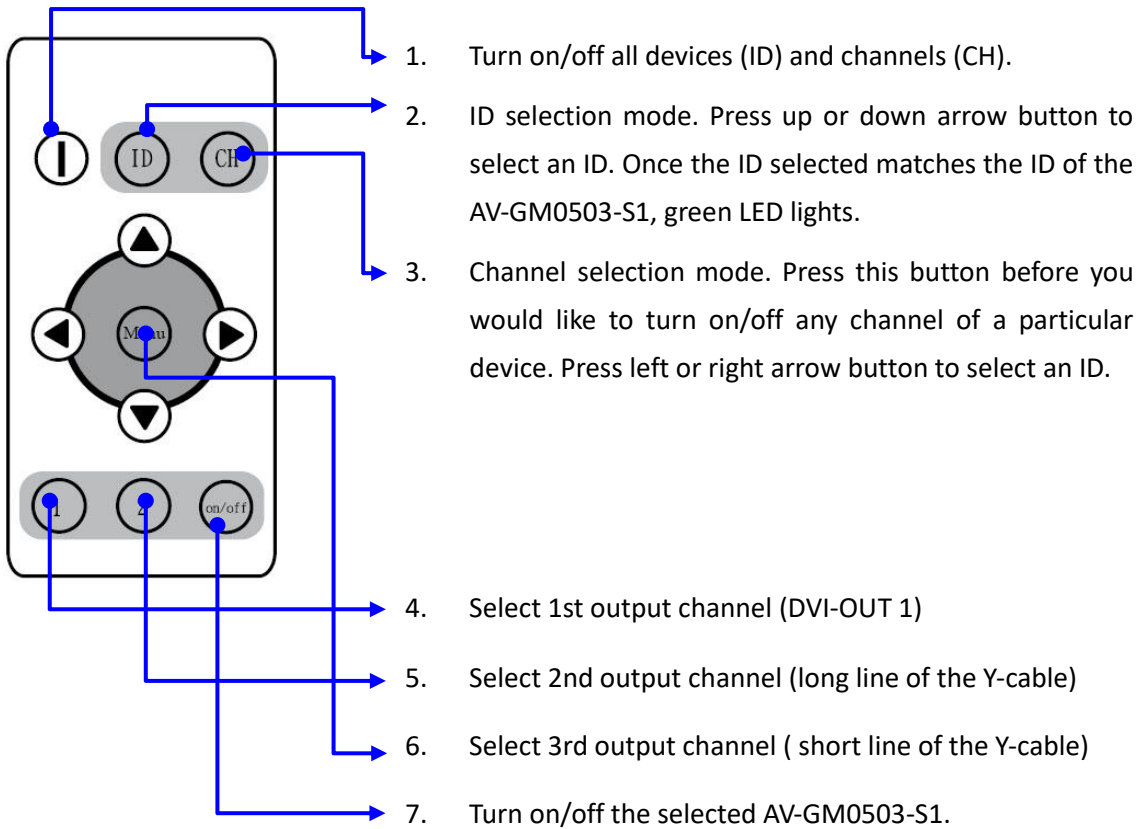
1. Single Device

1. Connect a monitor, a projector or other displays with DVI inputs by a male-to-male DVI cable to AV-GM0503-S1 DVI-OUT 1.
2. Plug DVI Y-cable into AV-GM0503-S1 DVI-OUT 2
3. Connect the second and third displays to the DVI female connectors of the Y-cable.
4. Plug power adapter cable into 5V DC jack.
5. Connect a PC or other devices with DVI outputs to AV-GM0503-S1 DVI-IN.

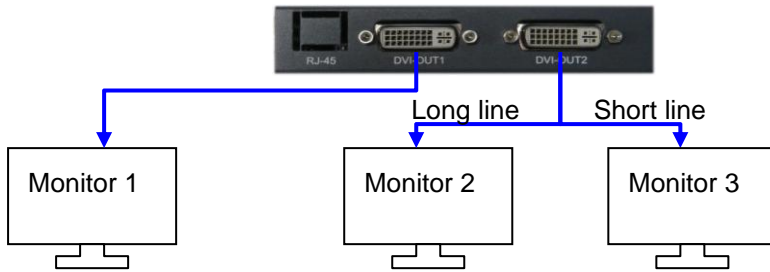
2. Mutiple deveices- cascading

1. Connect a monitor, a projector or other displays with DVI input by a male-to-male DVI cable to the first AV-GM0503-S1 DVI-OUT 1.
2. Plug DVI Y-cable into AV-GM0503-S1 DVI-OUT 2 and then plug in power adapter.
3. Connect the second display to the DVI female connectors of the long line of the Y-cable and plug in the short line of the Y-cable to the DVI-IN of the second AV-GM0503-S1.
4. Connect the third display to the DVI-OUT 1 of the second AV-GM0503-S1.
5. Follow from step 2 to step 4 for cascading the remaining devices.
6. Connect a PC or other devices with DVI outputs to the first AV-GM0503-S1 DVI-IN.



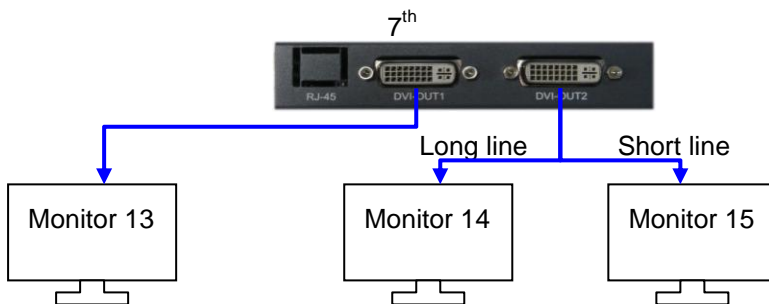


1. Operation- Single Device



1. If monitor 2 needs to be turned off, then follow the instruction below.
2. Press "CH" to enter to the channel selection mode.
3. Press "2" to make channel 2 (output 2) selected and then press "on/off" to turn off or turn on monitor 2.

1. Operation- Multiple Devices



1. Assign an ID (0-7) for each AV-GM0503-S1 via the rotary switch. You can assign the same ID for two or more devices so that you can control these devices simultaneously.
2. Like the above example, if the monitor 15 needs to be turned off, follow the steps below.
3. Press "ID" and press "Up Arrow" or "Down Arrow" button to make the 7th device selected. (Press up or down arrow until the green LED of the 7th AV-GM0503-S1 turns on)
4. Press "CH" to enter to the channel selection mode.
5. Press "menu" to make channel 3 (output 3) selected and then press "on/off" to turn off or turn on monitor 15.

The SELLER warrants the **AV-GM0503-S1 1x3 DVI Splitter** to be free from defects in the material and workmanship for 3 years from the date of purchase from the SELLER or an authorized dealer. Should this product fail to be in good working order within 3 years warranty period, The SELLER, at its option, repair or replace the unit, provided that the unit has not been subjected to accident, disaster, abuse or any unauthorized modifications including static discharge and power surges.

Unit that fails under conditions other than those covered will be repaired at the current price of parts and labor in effect at the time of repair. Such repairs are warranted for 90 days from the day of reshipment to the BUYER. If the unit is delivered by mail, customers agree to insure the unit or assume the risk of loss or damage in transit. Under no circumstances will a unit be accepted without a return authorization number.

The warranty is in lieu of all other warranties expressed or implied, including without limitations, any other implied warranty or fitness or merchantability for any particular purpose, all of which are expressly disclaimed.

Proof of sale may be required in order to claim warranty. Customers outside Taiwan are responsible for shipping charges to and from the SELLER. Cables are limited to a 30 day warranty and cable must be free from any markings, scratches, and neatly coiled.

The content of this manual has been carefully checked and is believed to be accurate. However, The SELLER assumes no responsibility for any inaccuracies that may be contained in this manual. The SELLER will NOT be liable for direct, indirect, incidental, special, or consequential damages resulting from any defect or omission in this manual, even if advised of the possibility of such damages. Also, the technical information contained herein regarding the AV-GM0503-S1 features and specifications is subject to change without further notice.

Support

For more info or tech support
<http://www.siig.com/support>