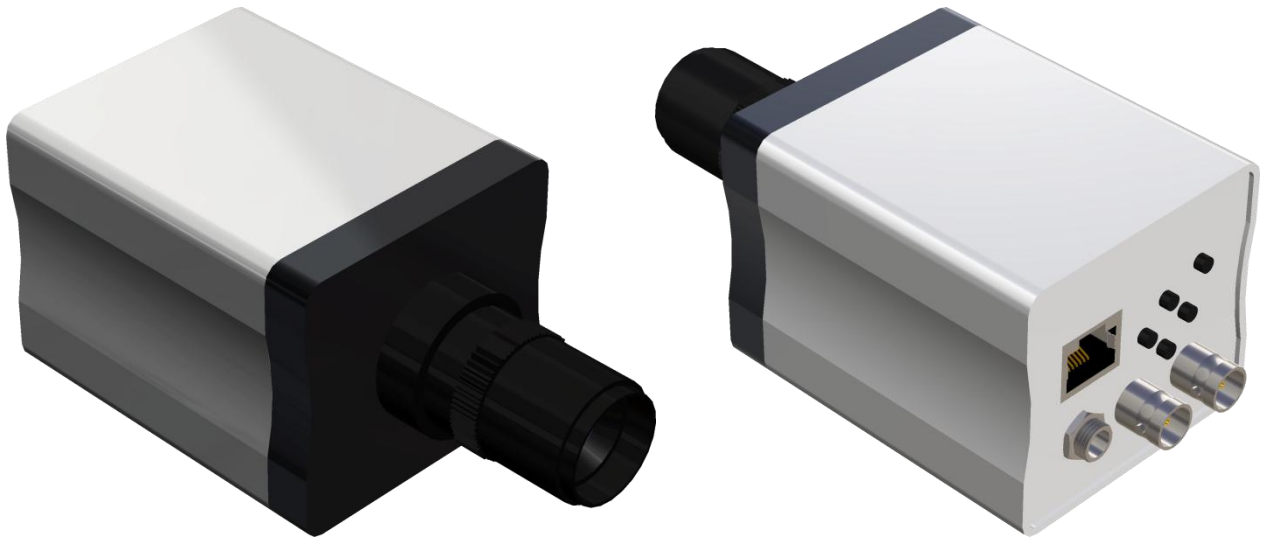




HD-SDI Surveillance Camera w/HDMI(or Cat.X) and Analog output and PoC (optional)



P/N: AV-GM0AB3-S1



Safety and Notice

The AV-GM0AB3-S1 HD-SDI Surveillance Camera w/HDMI(or Cat.X) and Analog output and PoC (optional) has been tested for conformance to safety regulations and requirements, and has been certified for international use. However, like all electronic equipments, the AV-GM0AB3-S1 should be used with care. Please read and follow the safety instructions to protect yourself from possible injury and to minimize the risk of damage to the unit.

- Follow all instructions and warnings marked on this unit.
- Do not attempt to service this unit yourself, except where explained in this manual.
- Provide proper ventilation and air circulation and do not use near water.
- Keep away the objects that might damage the device and assure that the placement of this unit is on a stable surface.
- Use only the power adapter, power cords and connection cables designed for this unit.
- Do not use liquid or aerosol cleaners to clean this unit. Always unplug the power to the device before cleaning.

INTRODUCTION

The **AV-GM0AB3-S1 HD-SDI Surveillance Camera w/HDMI(or Cat.X) and Analog output and PoC (optional)** is an advanced HDCCTV bullet camera which can transmit 2 mega pixels full HD 1080P quality digital images over standard coaxial cable or HDMI cable. Besides, AV-GM0AB3-S1 also supports analog(CVBS) output. AV-GM0AB3-S1 offers the ultra low jitters, which play the major role for SDI transmission and reception for long range applications.

AV-GM0AB3-S1 is based on a 1/2.8" 2 mega pixels progressive scan sensor for full HD images, with field selectable choice of 1080p resolution output, or 720p resolution to conserve DVR hard disk space. With AV-GM0AB3-S1, the security solution providers can easily upgrade the current CVBS based systems to the most promising HDCCTV with ease and stability!

Features

- Sony 1/2.8" CMOS Sensor IMX122
- HD 1080p 30 resolution
- 2 mega pixels
- Auto AE/AWB/AF Control
- Fog Reduction, 2D/3D Noise Removal
- High Light/Back Light Compensation
- OSD/ RS-232/ IR Control
- OSD Menu Support
- SDI/HDMI (or Cat.X)/CVBS output
- Up to 64x Digital Zoom
- IR Cut Filter (optional)
- PoC (optional)
- Embeded Microphone

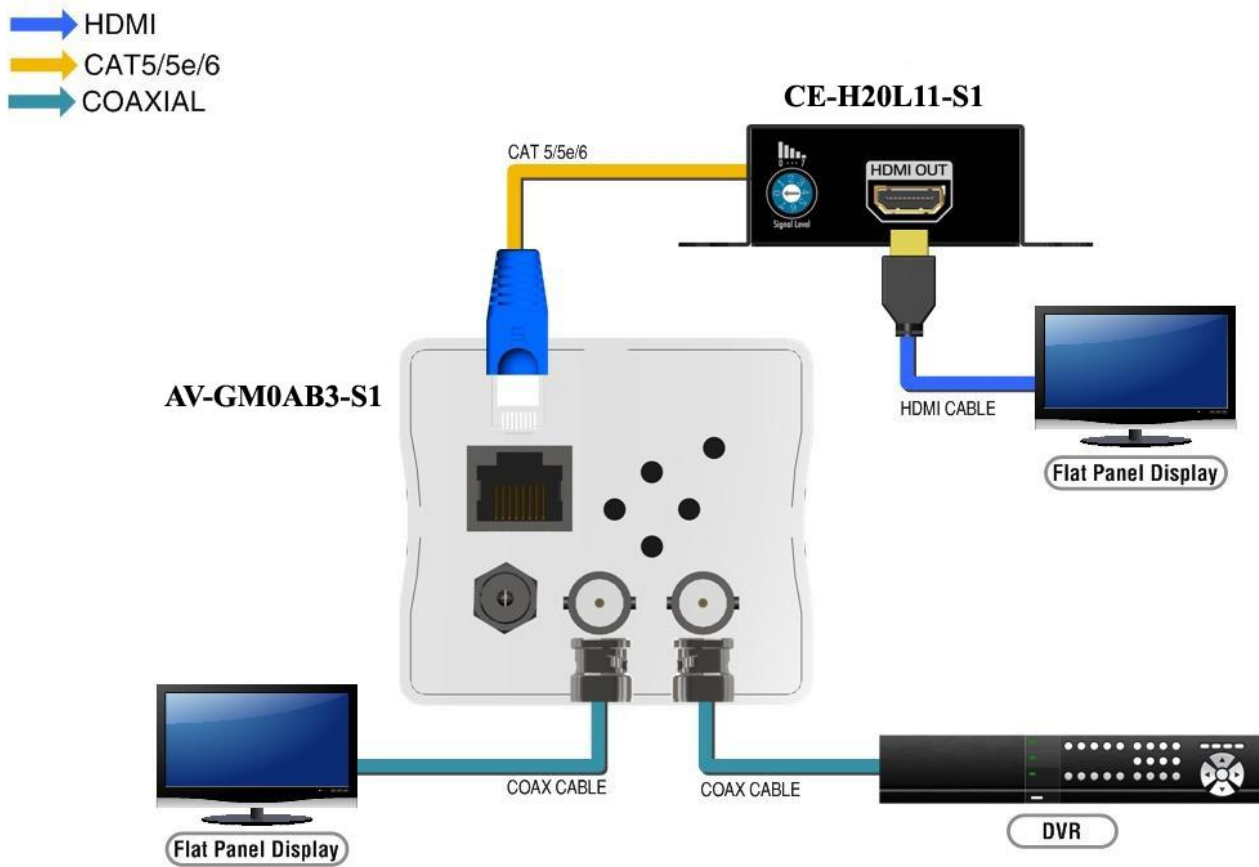
SPECIFICATIONS

Model Name	AV-GM0AB3-S1	
Technical		
Role of usage	HD-SDI Camera	
SDI standards	HD-SDI (HDcctv)	
Image Area Dimensions	ø 6.4 mm area diagonal	
Sensitivity (Minimum Illumination)	0.4Lux/F=1.2; 0 Lux(IR LED ON)	
WDR	50 dB	
Output Video bandwidth	2.970Gpbs, 2.970/1.001Gbps	
Output Video resolution	[Digital] 1080p @30Hz, [Analog] NTSC	
Output Video form	PAL or NTSC	
Audio support	PCM 2 (32KHz~192KHz Fs sample rate)	
Lens connector type	C/CS mount	
Output	1x BNC [SDI], 1x BNC [CVBS], 1x RJ45 [or HDMI]	
OSD		
OSD Menu	OSD/ RS-232/ IR Control	
Day/ Night Mode	Color/ B&W/ AUTO/ EXTERNAL	
Electronic Shutter	Auto/ Manual selectable	
Sense up	Auto/ OFF	
ACCE	Low/ Middle/ High/ OFF	
Defog	ON/ OFF	
Gain control	-128~+127 levels	
White Balance	ATW/ AWC-SET/ Indoor/ Outdoor	
WDR	WDR/ BLC/ OFF	
Flicker Suppress	ON/ OFF	
DNR	2D-NR: ON/ OFF 3D-NR: ON/ OFF	
Language	English/ Japanese/ Chinese	
Mechanical		
AV-GM0AB3-S1		
Housing	Metal enclosure	
Dimensions[L x D x H]	13 x 6 x 5 cm	
Weight	Package	
Fixedness	Carton	TBA
	Model	TBA
	Package	TBA
Power supply	12V 5A DC	230g [8oz]
Power consumption	5 Watts [max]	
Operation temperature	0~40°C [32~104°F]	
Storage temperature	-20~60°C [-4~140°F]	
Relative humidity	20~90% RH [no condensation]	

PACKAGE CONTENTS

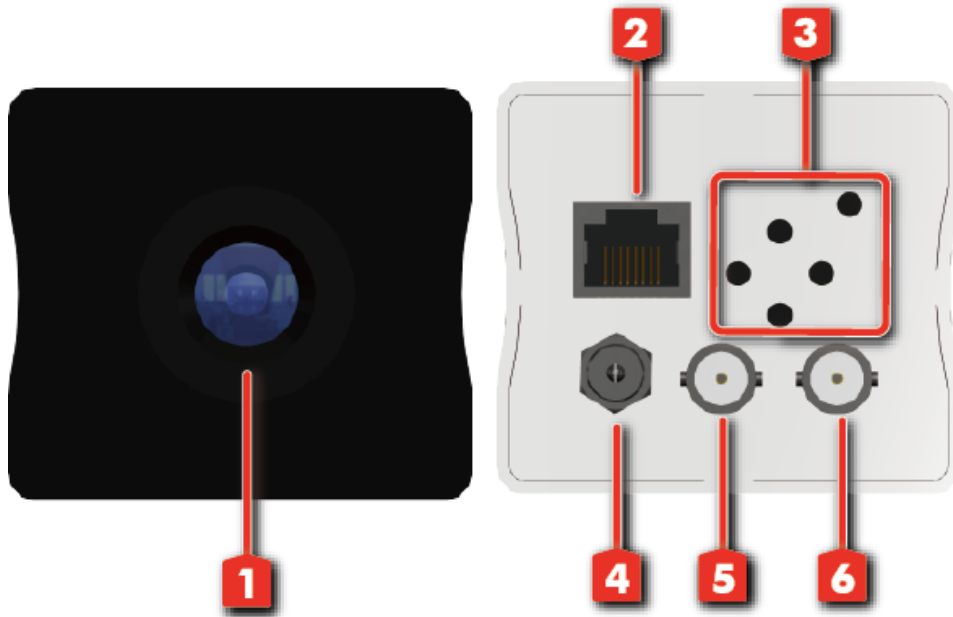
- 1x AV-GM0AB3-S1
- 1x12V 5A power supply unit
- 1x User Manual

CONNECTION DIAGRAM



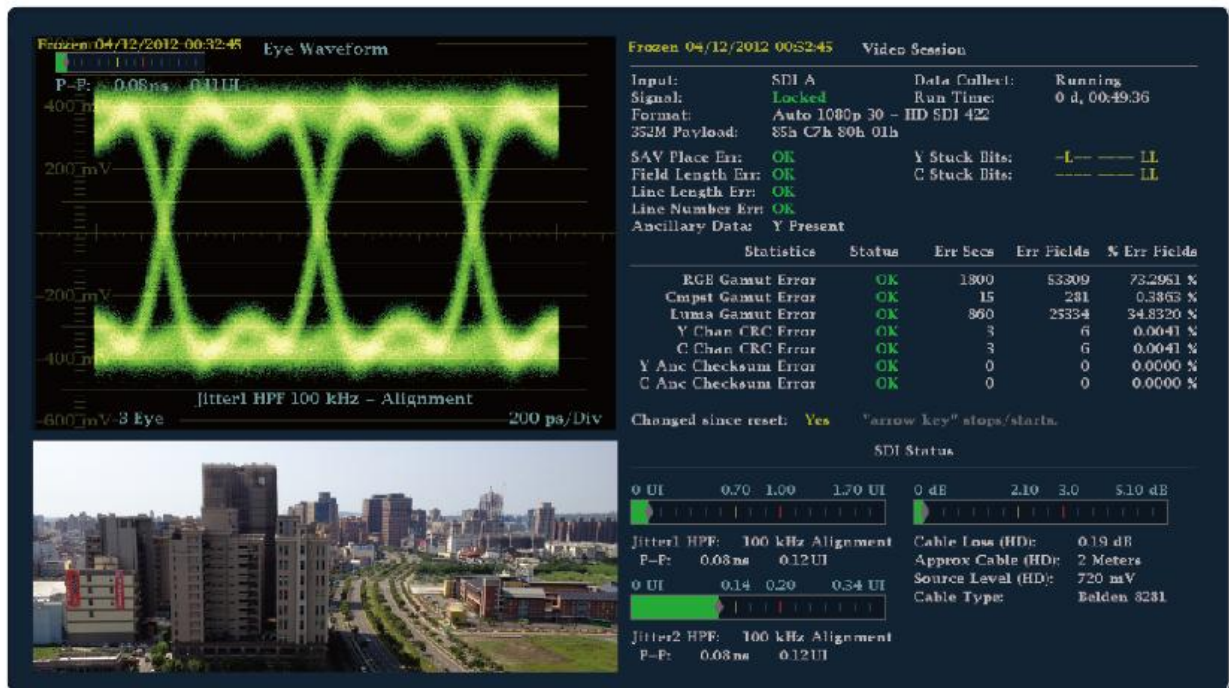
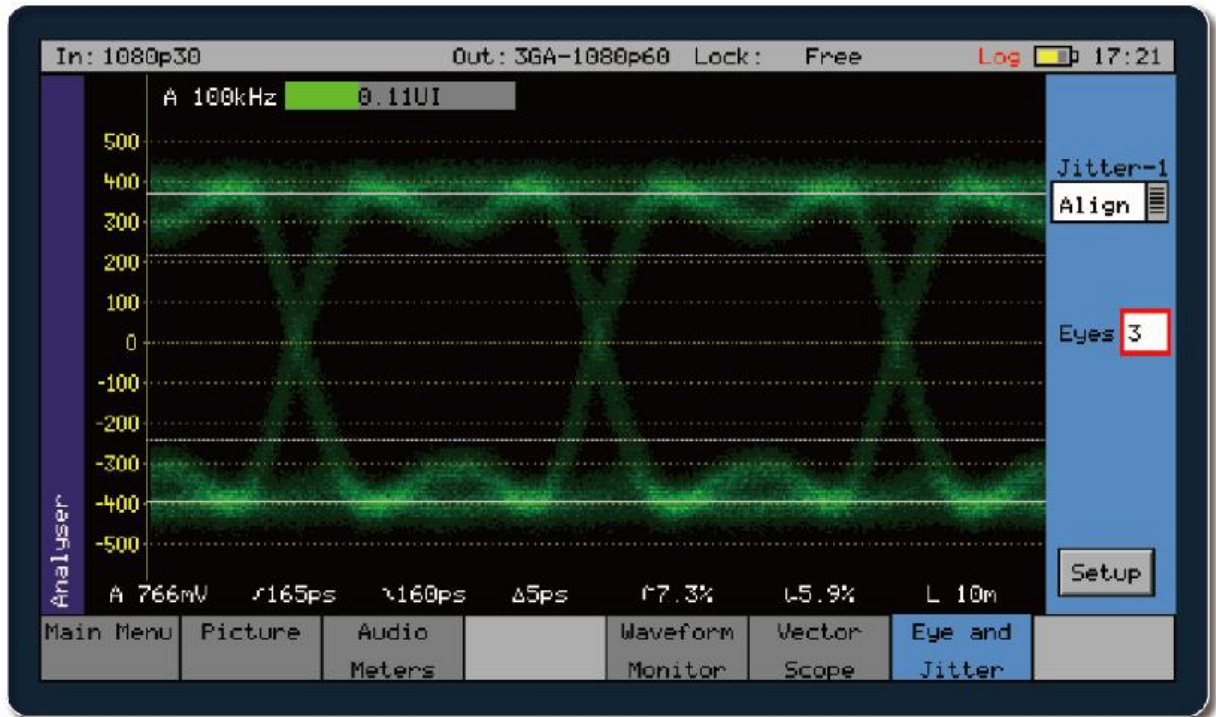
PANEL DESCRIPTIONS

Front Panel



1. Lens
2. HDMI over Cat5 Output
3. OSD Control
4. DC+12V
5. CVBS(Video/composite) Output
6. SDI Output

MEASUREMENT DATA



WARRANTY

The SELLER warrants the **AV-GM0AB3-S1 HD-SDI Surveillance Camera w/HDMI(or Cat.X) and Analog output and PoC (optional)** to be free from defects in the material and workmanship for 3 years from the date of purchase from the SELLER or an authorized dealer. Should this product fail to be in good working order within 3 years warranty period, The SELLER, at its option, repair or replace the unit, provided that the unit has not been subjected to accident, disaster, abuse or any unauthorized modifications including static discharge and power surges.

Unit that fails under conditions other than those covered will be repaired at the current price of parts and labor in effect at the time of repair. Such repairs are warranted for 90 days from the day of reshipment to the BUYER. If the unit is delivered by mail, customers agree to insure the unit or assume the risk of loss or damage in transit. Under no circumstances will a unit be accepted without a return authorization number.

The warranty is in lieu of all other warranties expressed or implied, including without limitations, any other implied warranty or fitness or merchantability for any particular purpose, all of which are expressly disclaimed.

Proof of sale may be required in order to claim warranty. Customers outside Taiwan are responsible for shipping charges to and from the SELLER. Cables are limited to a 30 day warranty and cable must be free from any markings, scratches, and neatly coiled.

The content of this manual has been carefully checked and is believed to be accurate. However, The SELLER assumes no responsibility for any inaccuracies that may be contained in this manual. The SELLER will NOT be liable for direct, indirect, incidental, special, or consequential damages resulting from any defect or omission in this manual, even if advised of the possibility of such damages. Also, the technical information contained herein regarding the **AV-GM0AB3-S1** features and specifications is subject to change without further notice.

Support

For more info or tech support

<http://www.siig.com/support>