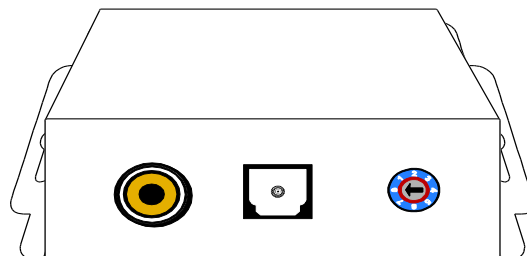
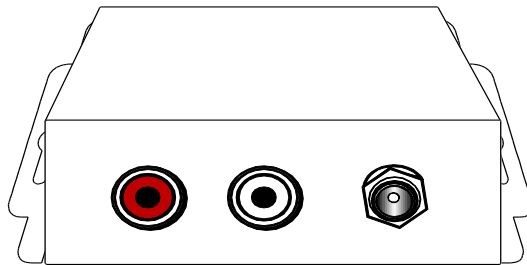




Stereo to SPDIF Converter with Adjustable Audio Delay





Safety and Notice

The AV-GM0AR3-S1 Stereo to S/PDIF Converter with Adjustable Audio Delay has been tested for conformance to safety regulations and requirements, and has been certified for international use. However, like all electronic equipments, the AV-GM0AR3-S1 should be used with care. Please read and follow the safety instructions to protect yourself from possible injury and to minimize the risk of damage to the unit.

- Follow all instructions and warnings marked on this unit.
- Do not attempt to service this unit yourself, except where explained in this manual.
- Provide proper ventilation and air circulation and do not use near water.
- Keep objects that might damage the device and assure that the placement of this unit is on a stable surface.
- Use only the power adapter and power cords and connection cables designed for this unit.
- Do not use liquid or aerosol cleaners to clean this unit. Always unplug the power to the device before cleaning.



The AV-GM0AR3-S1 Stereo to S/PDIF Converter with Adjustable Audio Delay features adjustable audio delays mainly for video and audio synchronization. Typical applications include HDTV lip-sync delay and home theater rear-channel effects etc. AV-GM0AR3-S1 offers a rotary switcher for user to fine tune the audio delays. With high quality 24 bit DAC and digital output through RCA and TOSLINK connectors, the audio quality is guaranteed with the minimal signal loss.

Features

- Stereo to S/PDIF digital audio conversion
- 24-bit DAC Conversion
- Delay up to 170 ms/ch at 48KHz sampling rate
- Automatically detects sample rates up to 192kHz*
- Adjustable audio delay using rotary switcher
- Easy to install



audio

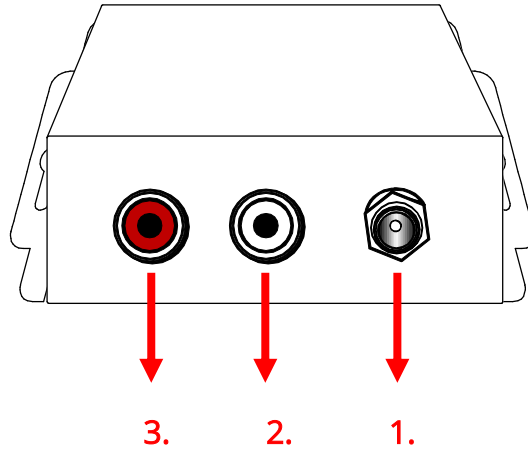
For TOSLINK fiber connection, the audio sampling frequency is only up to 96 KHz! 192KHz

can only be played through coaxial connector!

Specifications & Package Contents

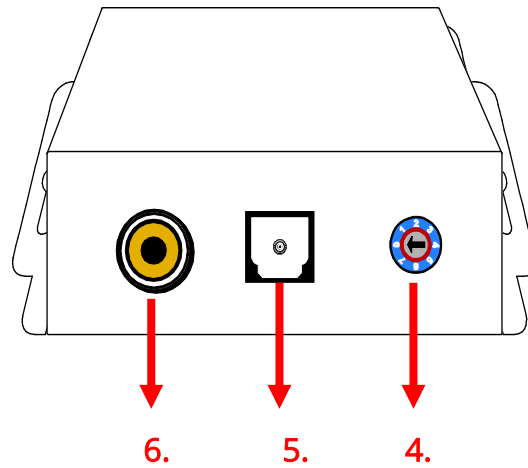
Model Name		AV-GM0AR3-S1
Technical		
Role of usage		Stereo to S/PDIF audio converter
S/PDIF support		Stereo
Sample frequency support [Coaxial S/PDIF]		Up to 192kHz
Sample frequency support [Toslink S/PDIF]		44.1k-96k/16Bit-24 Bit
ESD protection		Human body model — ±12kV [air-gap discharge] & ±8kV [contact discharge]
Input		L/R RCA
Output		1x RCA + 1x TOSLINK
RCA connector		50Ω female
Optical audio connector		TOSLINK
Mechanical		
Housing		Metal enclosure
Dimensions (L x W x H)	Model	95 x 115 x 25mm [3.7" x 4.5" x 1"]
	Package	140 x 200 x 75mm [5.5"x7.9"x3"]
	Carton	420 x 400 x 300mm [1'5"x1'4"x11.8"]
Weight	Model	310g [11oz]
	Package	640g [1.4 lbs]
Fixedness		Wall-mounting case with screws upon request
Power supply		Inter-locked 5V 2A DC
Power consumption		7 Watts [max]
Operation temperature		0~40°C [32~104°F]
Storage temperature		-20~60°C [-4~140°F]
Relative humidity		20~90% RH [no condensation]
Package Contents		1x AV-GM0AR3-S1 1x User Manual 1x 5V 2A interlocked wall wart power adapter

Front Panel



- 1. +5V DC Power
- 2. Stereo audio input
- 3. Stereo audio input

Rear Panel



- 4. Audio delay skew
- 5. S/PDIF output
- 6. S/PDIF output

1. Connect your analog stereo audio source to AV-GM0AR3-S1.
2. Connect S/PDIF enable speaker to either RCA or TOSLINK connector of AV-GM0AR3-S1.
3. Plug in 5V DC power cord to the power jack of AV-GM0AR3-S1.
4. Adjust audio delay.

Notice

1. AV-GM0AR3-S1 supports AES3/S/PDIF [IEC60958] stereo digital audio formats.

Limited Warranty

The SELLER warrants the **AV-GM0AR3-S1 Stereo to S/PDIF Converter with Adjustable Audio Delay** to be free from defects in the material and workmanship for 3 years from the date of purchase from the SELLER or an authorized dealer. Should this product fail to be in good working order within 3 years warranty period, The SELLER, at its option, repair or replace the unit, provided that the unit has not been subjected to accident, disaster, abuse or any unauthorized modifications including static discharge and power surge. This warranty is offered by the SELLER for its BUYER with direct transaction only. This warranty is void if the warranty seal on the metal housing is broken.

Unit that fails under conditions other than those covered will be repaired at the current price of parts and labor in effect at the time of repair. Such repairs are warranted for 90 days from the day of reshipment to the BUYER. If the unit is delivered by mail, customers agree to insure the unit or assume the risk of loss or damage in transit. Under no circumstances will a unit be accepted without a return authorization number.

The warranty is in lieu of all other warranties expressed or implied, including without limitations, any other implied warranty or fitness or merchantability for any particular purpose, all of which are expressly disclaimed.

Proof of sale may be required in order to claim warranty. Customers outside Taiwan are responsible for shipping charges to and from the SELLER. Cables and power adapters are limited to a 30 day warranty and must be free from any markings, scratches, and neatly coiled.

The content of this manual has been carefully checked and is believed to be accurate. However, The SELLER assumes no responsibility for any inaccuracies that may be contained in this manual. The SELLER will NOT be liable for direct, indirect, incidental, special, or consequential damages resulting from any defect or omission in this manual, even if advised of the possibility of such damages. Also, the technical information contained herein regarding the **AV-GM0AR3-S1** features and specifications is subject to change without further notice.



Support

For more info or tech support

<http://www.siig.com/support>

April, 2018