



USB-C Laptop Adjustable Stand with Dual 4K MST Video Docking Station User Manual



04-1378A

P/N: CE-MTDK11-S1

Table of Contents

• Features	3
• Package contents	4
• System requirements	4
• What is USB 3.1 Type-C?	5
• DP alt mode (DisplayPort alternative mode)	6
• USB Power Delivery	6
• What is DisplayPort MST? (Multi-Stream Transport)	7
• MST Video output table	7
• Docking Station Layout	8
• Laptop stand application	10
• Q & A	11
• Support	12



Features

- Support USB 5G speed connection between host and docking station.
- Support USB Type-A 5G 5V/0.9A port x1
- Support USB Type-A 5G 5V/1.5A port x1
- Support USB Type-C 5G 5V/1.5A port x1
- Support two MST video output (DP+HDMI)
(Please refer to MST output table)
- Only Windows OS support MST function
- Mac OS only support single display output
(Mac OS will recognize MST function as an single display)
(DP & HDMI will display the same screen)
- Support Ethernet 10/100/1000Mbps
- Support 3.5mm Headset jack
- Support USB PD 3.0 charging
Input: 100W (max), charging 85W (max)
(15W for the docking use)
- compatible with Thunderbolt3 and Type-C host

Package contents

- USB-C Laptop Adjustable Stand with Dual 4K MST Video Docking Station
- USB Type-C to Type-C cable
- User Manual

System requirements

- Host computer system with an available USB Type-C (Thunderbolt 3 compatible) Port which supports DP Alt Mode and Power Delivery
- Windows® 11/10 / 8 .1/ 8 / 7 (32/64 bit)
- Only Windows OS support MST function
- Mac OS only support single display output (Mac OS will recognize MST function as an single display)
(DP & HDMI will display the same screen)

What is USB 3.1 Type-C?

- USB 3.1 Type-C is a new generation connector interface of USB 3.1 standard, that is capable to support for the following:
- USB 3.1 Gen 1 support up to 5 Gbps data transfer rate and USB 3.1 Gen 2 support up to 10Gbps data transfer rate
- Bi-directional power delivery up to 100W, if both the USB host connection and the device support it
- DP Alternate modes, the signal is based on the DisplayPort version to deliver different speeds.

Not all USB-C ports support the full functionality of the USB Type-C standard. For more information, please refer to the information provided by the manufacturers.

DP alt mode (DisplayPort alternative mode)

This docking station supports DP alt mode, which means a DisplayPort video signal can be transferred over a USB-C cable.

Because the docking station supports DP alt mode, so the Alt mode video port can output the video directly via DP alt mode without other driver installs.

USB Power Delivery

This docking station supports USB Power Delivery, which means it delivers up to 100 watts of power to your connected host laptop (your laptop's USB-C port must support power delivery). USB Power Delivery is a specification that allows power to be sent over a USB-C or Thunderbolt 3 cable that supports the specification.

Ensure your USB-C cable can support PD 100W transfer or use the included USB-C cable.

What is DisplayPort MST? (Multi-Stream Transport)

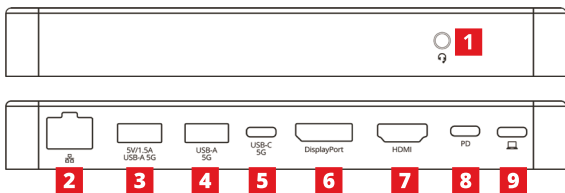
MST has been a feature of the DisplayPort standard since version 1.2 was released. The key factor of the technology's usefulness for desktop users is that it allows multiple independent displays to be driven from a single DisplayPort output source device.

The combined data requirements of all the displays cannot exceed the limits of the single DisplayPort port that the video source originates from, nor exceed the capabilities of your graphics cards.

MST Video output table

	DP 1.2 Host	DP 1.4 Host
Signal display	4K30 DP or HDMI	4K60 DP or HDMI
Dual display	1080p+1080p DP + HDMI	4K30+1080p or 2K60+2K60 DP + HDMI

Docking Station Layout



- 1. 3.5mm headset jack:**
connect to headset
(include audio and microphone)
- 2. RJ-45 Gigabit Ethernet port**
connect to ethernet router or switch
(Support 1000/100/10 Mbps)
- 3. USB 5G Type-A port:**
Support USB UASP mode, 5Gbps
speed and 5V/1.5A power output.
connect for USB peripherals
- 4. USB 5G Type-A port:**
Support USB UASP mode, 5Gbps
speed and 5V/0.9A power output.
connect for USB peripherals

5. USB 5G Type-C port:

Support USB UASP mode, 5Gbps speed and 5V/1.5A power output.
connect for USB peripherals

6. Displayport video output

Connect to Displayport display
Resolution up to 3840x2160p@60Hz
(Please refer to MST output table)

7. HDMI video output

Connect to HDMI display
Resolution up to 3840x2160p@60Hz
(Please refer to MST output table)

8. PD charging input:

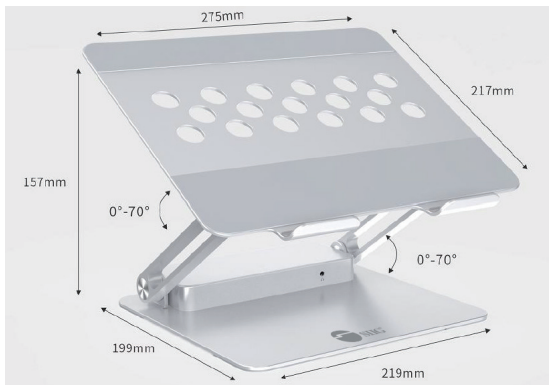
connect to your PD charger
Input: 100W (max), charging 85W (max)
(15W for the docking use)

9. USB-C host:

Connect to USB-C port which supports DP Alt Mode and Power Delivery.
(Please use include USB C to C cable)
Not all USB-C ports support the full functionality of the USB Type-C standard.
Ensure that your host USB-C port supports all functions

Laptop stand application

- Weight capacity: up to 13.23 lbs / 6 kg
- Laptop size: Up to 17"



Q & A

- **Why can't my laptop do 85W charging?**

Your laptop must support 85W charging. Not all laptops support or require 85W for charging.

- **Why am I using a 100W PD charger but only getting 85W charging?**

The media hub needs 15W for all the port functions to operate simultaneously ($100W - 15W = 85W$).

- **Why MST video output has no video?**

Ensure your USB-C host port support DP Alt mode.

- **Why MST only have one video output?**

Because bandwidth limit. Please refer to the MST Video output table to adjust the video output resolution.

Dear Valued Customer

**WE REALLY
APPRECIATE
YOUR PURCHASE**

~thank you~

Support

For more info or tech support
<http://www.siig.com/support>