



Read the entire instruction manual before you start installation and assembly. If you have any question regarding any of the instructions or warnings, please contact us.

Unpacking

- Carefully remove the contents and lay them out on cardboard or other protective surface
- Check package contents against the parts list to ensure that all components are received undamaged. Do not use damaged or defective parts
- Ensure that you have received all parts according to the component checklist prior to installation. If any parts are missing or faulty, please contact us.

CAUTION:

Using the products heavier than the indicated weights as rated may result in instability and possible injury.

- Mount must be attached as specified in assembly instructions. Improper installation may result in damage or serious personal injury.
- Safety gear and proper tools must be used. This product should only be installed by professionals.
- This product is designed to be installed on wood stud walls, solid concrete walls or brick walls.
- Make sure that the supporting surface will safely support the combined weight of the equipment and all attached hardware and components.
- Use the mounting screws provided and DO NOT OVER TIGHTEN mounting screws
- This product contains small items that could be a choking hazard if swallowed. Keep these items away from children.
- This product is intended for indoor use only. Using this product outdoors could lead to product failure and personal injury.

MAINTENANCE

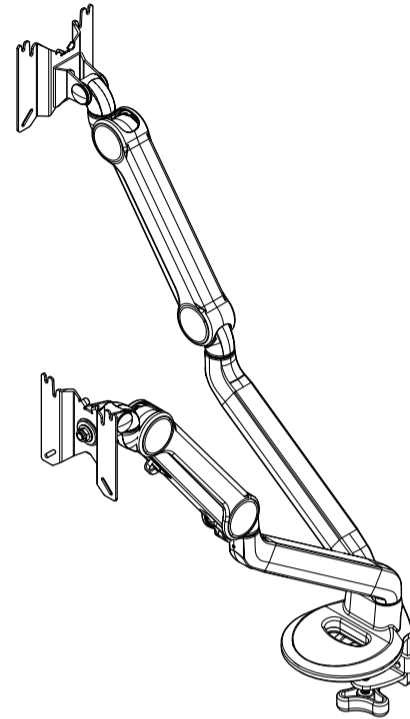
Check that the bracket is secure and safe to use at regular intervals (at least every three months)

Support

For more info or tech support <http://www.siig.com/support>

Desk Mount Dual Gas Spring Monitor Arm - Up to 32"

Installation Guide



CE-MT3X11-S1

04-1417A

Before assembly please spend some time reading this and follow the procedures step by step. Some panels are viewed differently from the detail drawing below. This is for extra clarity. Do not discard any of the packaging until you have checked all the parts and tools. If you are missing any of the parts, please contact your supplier .

Parts and Tools Check List

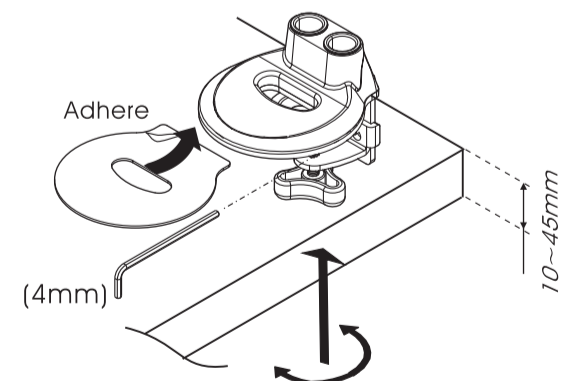
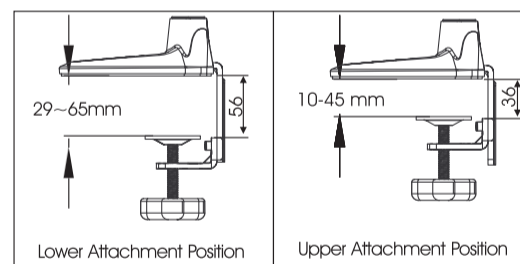
01		X2	04		X1
02		X2			
03		X2			
05		X1	07		X1
06		X8	08		X1
			09		X1

Assembly Guide

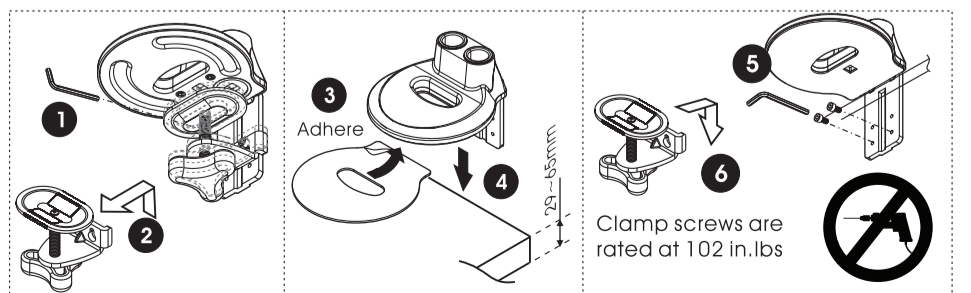
Step 1

"Clamp" Assembly

Adhere the pad to the base of the clamp.
Fits desk thicknesses 10~65mm, then clamp the base to the desk.

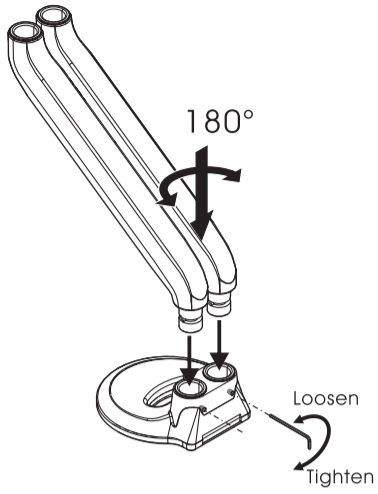


Lower Attachment Position

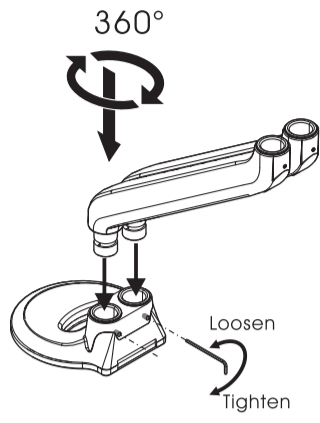


Step 2

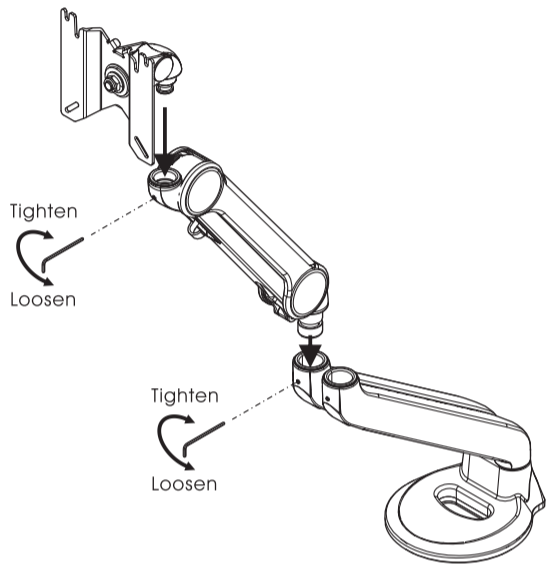
To achieve **180°** Lock-Out function: Fully tighten the screw to the base with 2mm Allen Key, then back out one full turn.



To achieve **360°** Lock-Out function: **Turn the arm to the opposite side of the base**, and fully tighten the screw to the base with 2mm Allen Key, then back out one full turn.

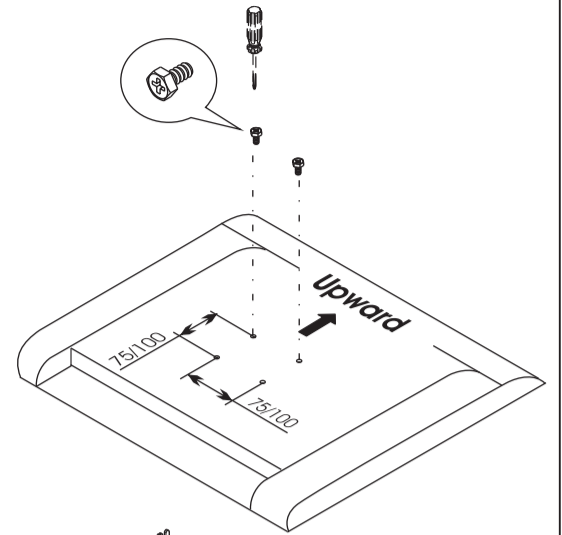
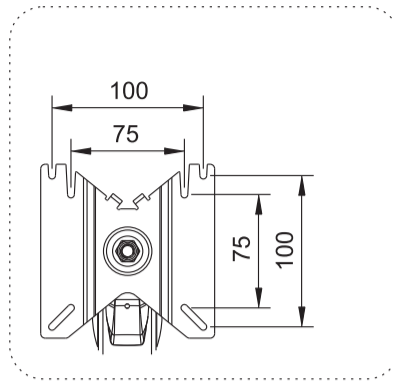


Fasten the screw to the bottom with 2mm Allen Key and then move backward one circle.



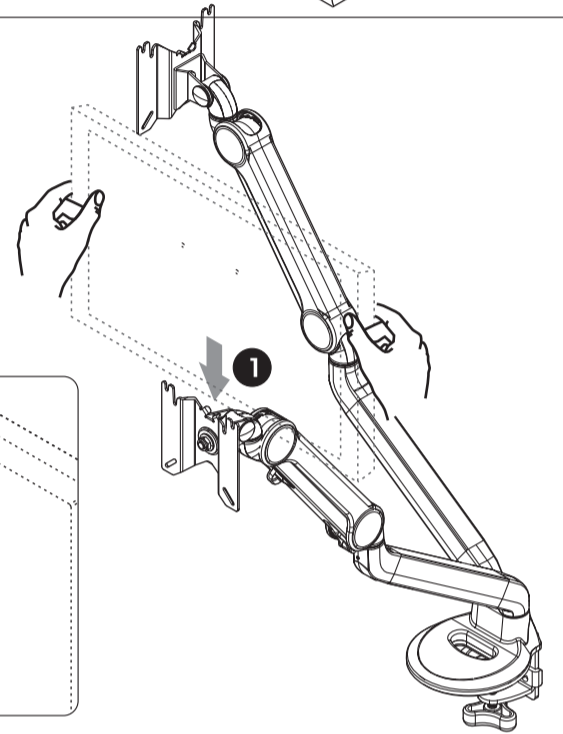
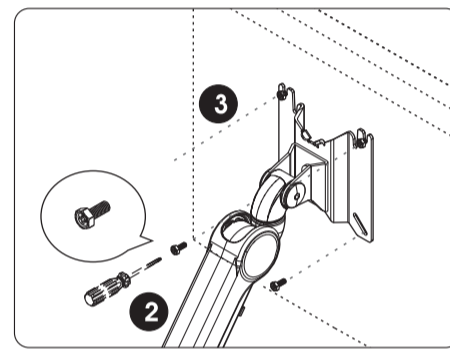
Step 3

Attach the screws (Do not fully tighten) to the top two holes on the back of the monitor.



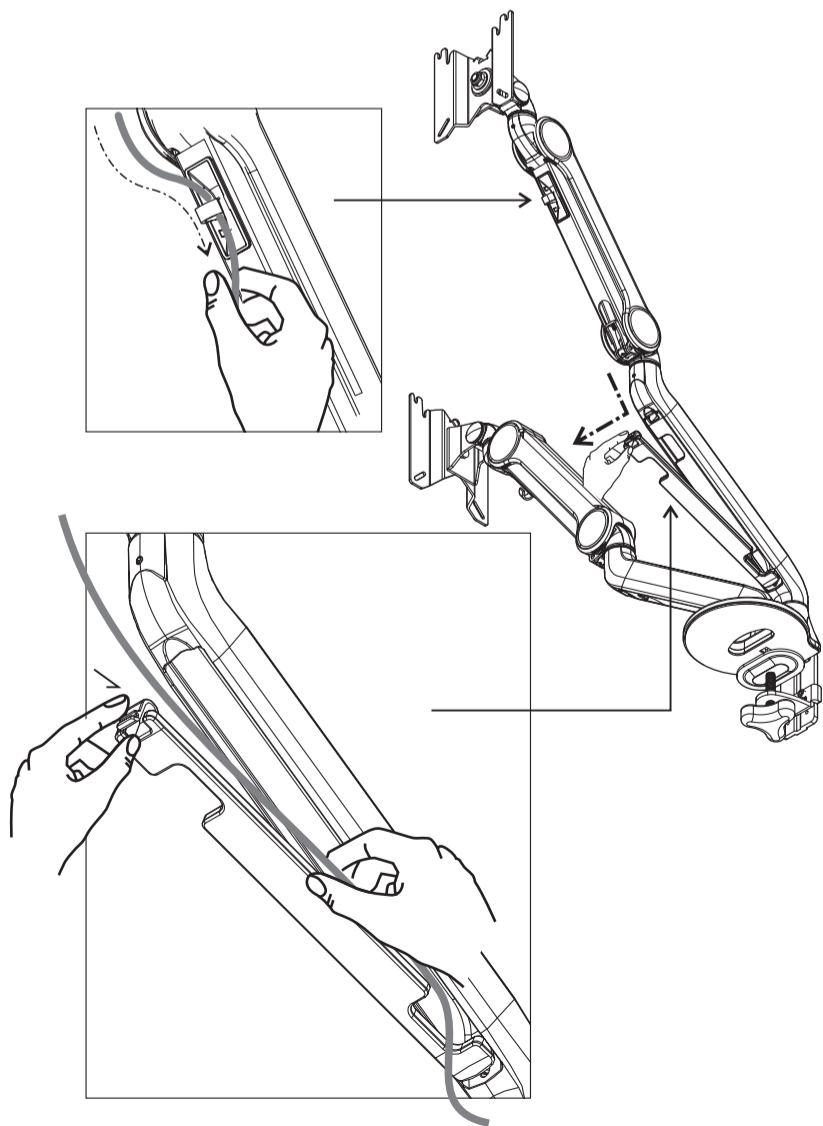
Step 4

Hook the monitor onto the VESA mount. Tightly Install screws into the bottom two holes, then tighten the top two screws.



Step 5

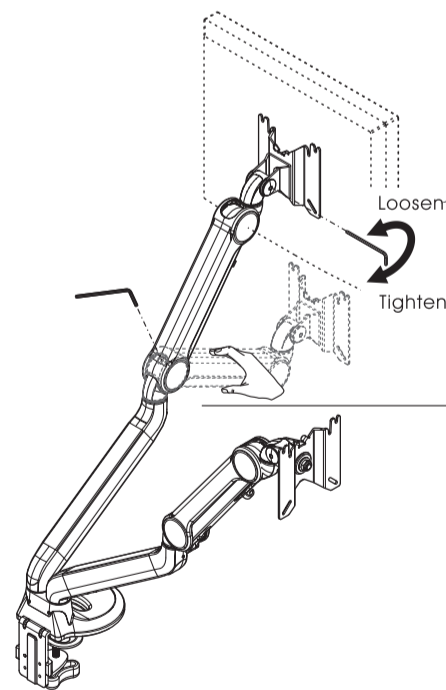
Cable management



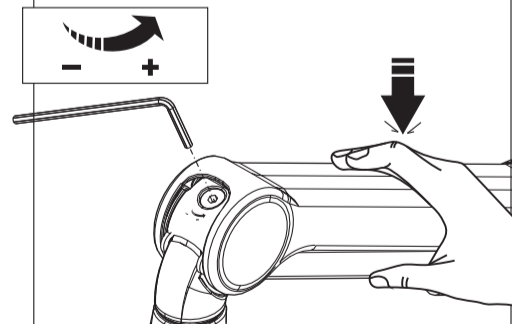
Tension Adjustment

Caution: Support arm while adjusting tension.

Adjustment: Use the 5mm Allen key provided to adjust the tension to correspond to the weight of the monitor. Twist the Allen key in a clockwise direction for heavier monitors; counterclockwise for lighter monitors.



Use the 4mm Allen key provided to adjust the tension to correspond to the weight of the monitor. Twist the Allen key in a clockwise direction for lighter monitors; counterclockwise for heavier monitors.



Loading:(Single Arm)
4.4 ~ 19.8 lbs (2~9 kg)

- Product loading capacities are based on monitors' center of gravity less than 3cm (1 3/16") from the end of the VESA interface.
- Loading capacity could be reduced if monitor size is greater than 26" or depth is greater than 5.5cm (2 11/64").
- All product specifications in catalogs are subject to change without notice.