



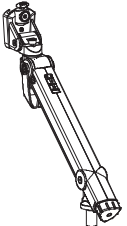


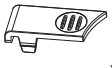
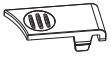




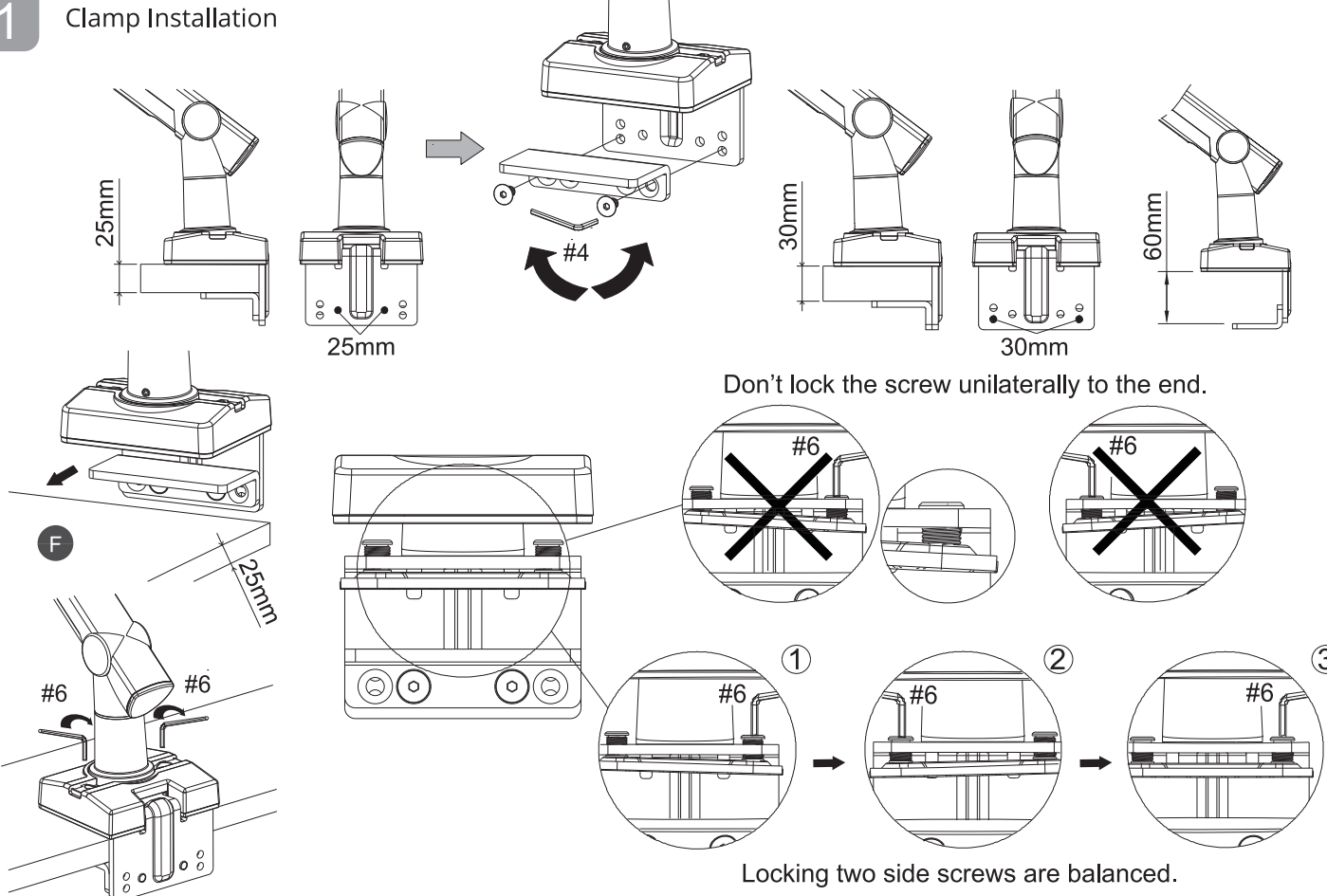
# Heavy Duty Desk Mount Single Monitor Arm - Up to 49"

P/N: CE-MT3V11-S1

04-1418A

<b>Parts</b>	<b>A</b>  x1	<b>B</b>  M5X30 x1	<b>C</b>  x1	<b>D</b>  #3 #4 #6 x1	<b>E</b>  x1	<b>F</b>  x1
	<b>H</b>  M4X10 x4	<b>I</b>  x1	<b>J</b>  x1			

### 1 Clamp Installation



25mm

25mm

30mm

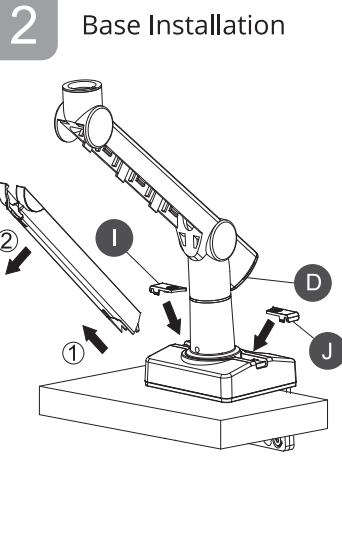
30mm

60mm

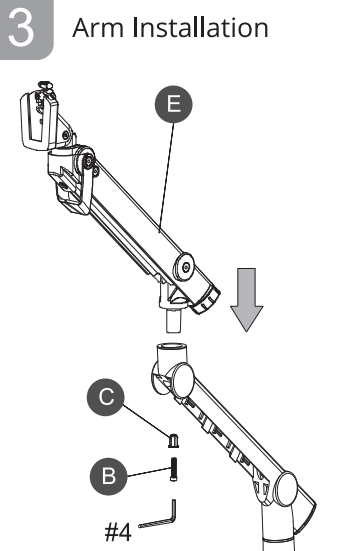
Don't lock the screw unilaterally to the end.

Locking two side screws are balanced.

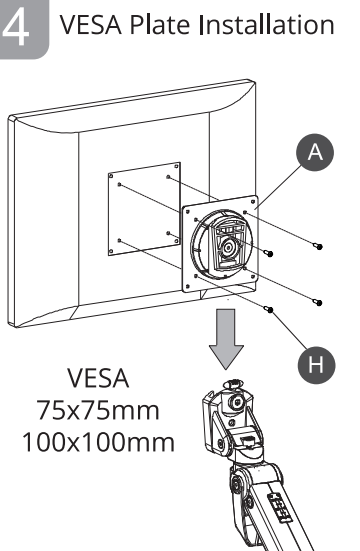
### 2 Base Installation



### 3 Arm Installation

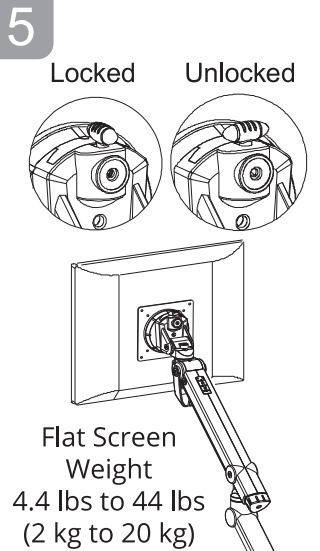


### 4 VESA Plate Installation



VESA  
75x75mm  
100x100mm

### 5



Locked      Unlocked

Flat Screen  
Weight  
4.4 lbs to 44 lbs  
(2 kg to 20 kg)

