

Manual



04-0708G

CE-MT0R12-S3

Articulating Triple Monitor Desk Mount - 13" to 32"

Installation Guide



Thank you for choosing **SIIG** for your connectivity needs in IT and AV products. Our products are engineered for optimal performance and reliability. To ensure the best experience and safety, please read the instructions thoroughly and keep this user guide for future reference. For more details about our product range, visit www.siig.com

If you require technical support, email us at support@siig.com For drivers or manuals, please visit www.siig.com/download

Important Safety Guidelines

Unpacking

- Carefully remove the contents and lay them out on cardboard or other protective surface
- Check package contents against the parts list to ensure that all components were received undamaged. Do not use damaged or defective parts
- Carefully read all instructions before attempting installation

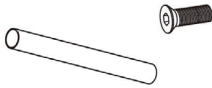
Safety Information

- Use proper safety equipment during installation
- If you don't understand the installation instructions, please consult an installation specialist
- This mount contains small parts which can act as a choking hazard if swallowed
- Do not use this product for any purpose or in any configuration not explicitly specified in these instructions

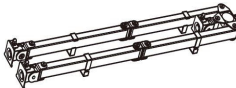
Tools Required

- Phillips screwdriver and adjustable wrench
- 3/8" drill bit (for Grommet installation)
- Electric drill (for grommet installation)

Parts List



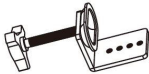
1 Tube support (x1)
Screw (x3)



2 Extend Arm (x1)



3 VESA Plate (x3)



4 C-clamp (x1)



5 C-clamp brace (x1)



6 Grommet plate (x1)



A M8 Screw (x2)



B Grommet brace (x1)



C Cable brace (x4)



D Allen key brace (x1)



E Allen key (x3)



F1 M4x12 Screw (x12)



F2 M4x30 Screw (x12)



G1 M4 Washer (x12)

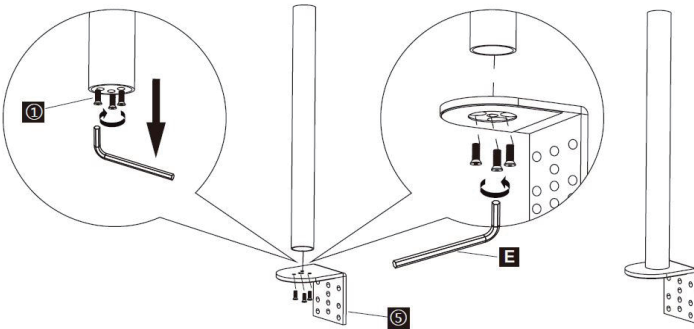


G2 M4 Spacer (x12)

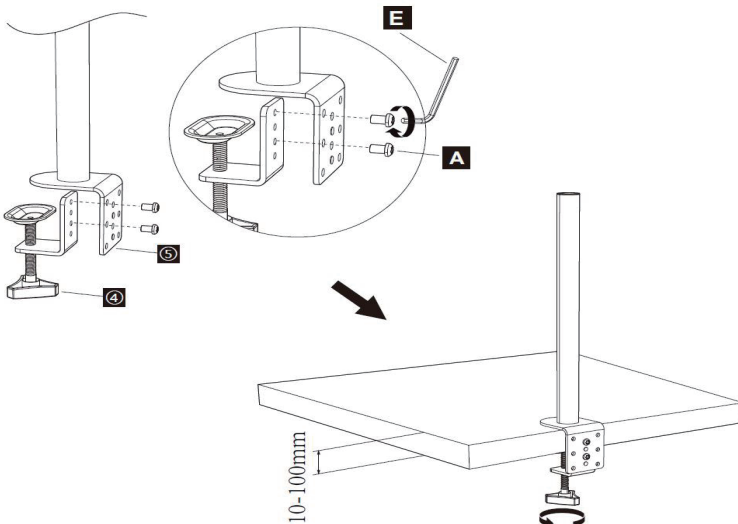
Installation

Caution: This monitor desk mount must be securely attached to the horizontal desktop. If the mount is not properly installed it may fall, resulting in possible injury and/or damage.

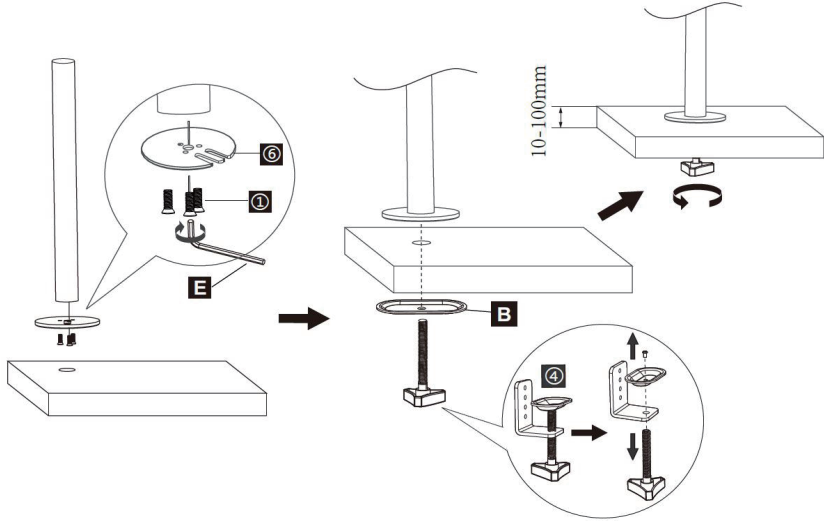
Step-1 Tube support install



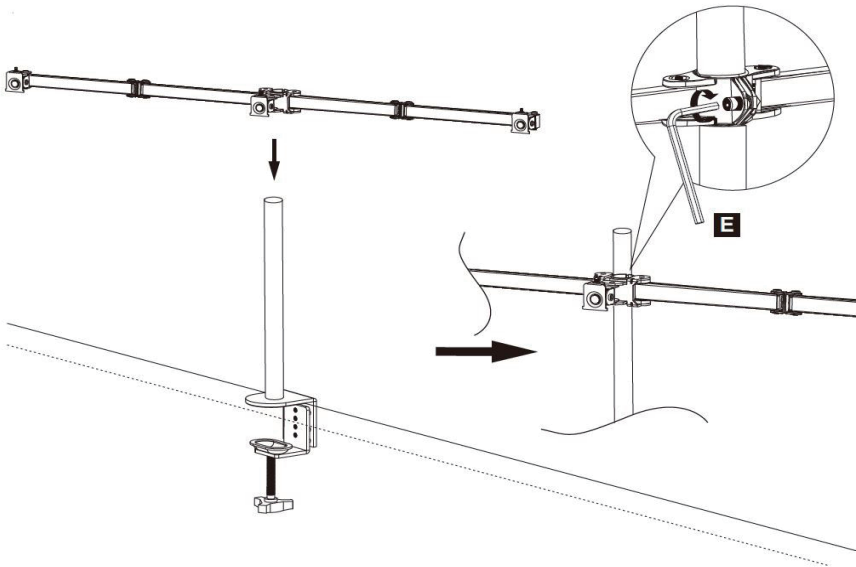
Step-2a C-clamp install



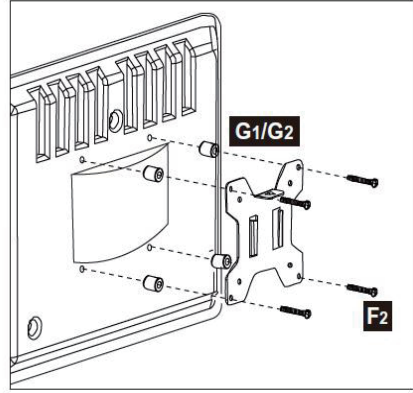
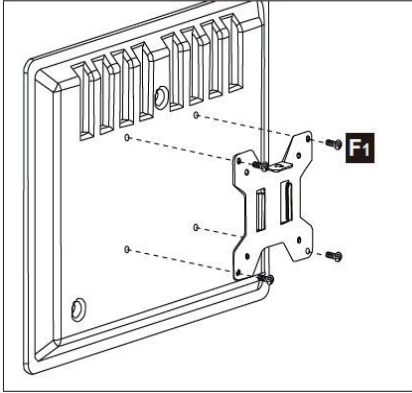
Step-2b Grommet install



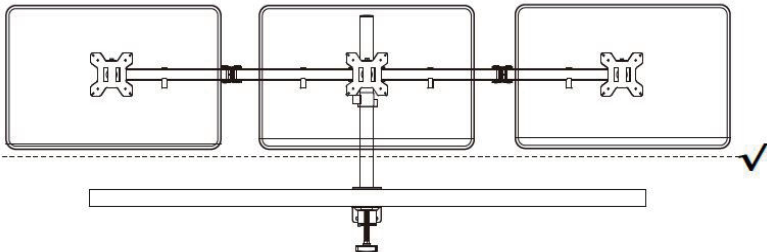
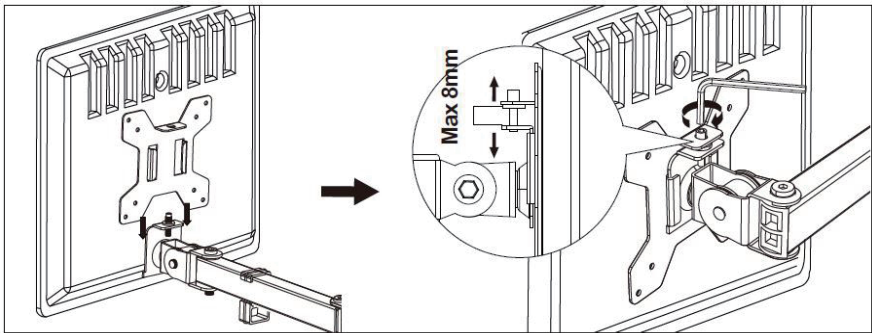
Step-3 Install the extended arm



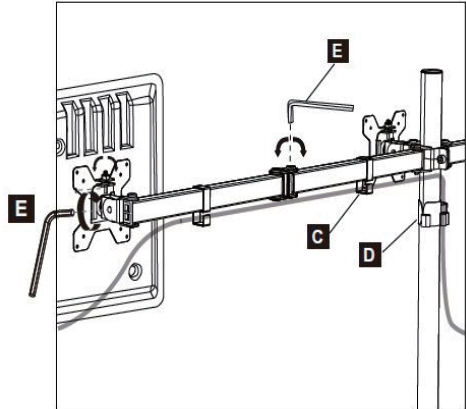
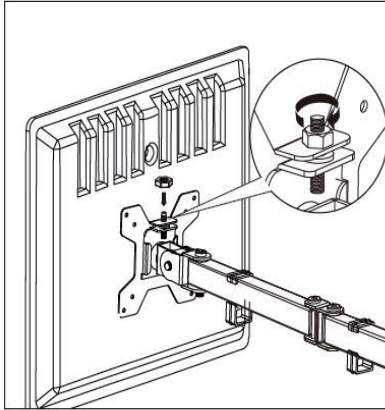
Step-4 VESA plate install



Step-5 VESA plate adjustment



Step-6 Allen key brace and cable brace install



Specifications

- Screen Size: 13" to 32"
- Weight capacity: Up to 17.6 lbs (8kg) for each plate
- Tilt: +/- 90 degrees
- Swivel: 180 degrees
- Rotate: 360 degrees
- Detachable VESA plate: For 75x75 mm / 100x100mm
- Height adjustable: 450mm
- Arm extension: 760mm each side, total arm extension: 1520mm
- Cable management including
- Two kinds of desk installation: C-Clamp and Grommet
- Material: Cold Rolled Steel
- Color: Black



Thank you for your purchase!
<https://www.siig.com>



Please visit SIIG Support



Please visit Product page